

PSBJ-URTK/S BK - Test plug strip



0311728

<https://www.phoenixcontact.com/ca/products/0311728>

Please be informed that the data shown in this PDF document is generated from our online catalog. Please find the complete data in the user documentation. Our general terms of use for downloads are valid.



Test plug strip, number of positions: 1, color: black

Your advantages

- The test socket PSBJ... is used in place of the normal bridge screw and ensures the voltage pick-off on a bridged group of terminals
- The test sockets are tailored to the special applications encountered in the power supply industry

Commercial data

Item number	0311728
Packing unit	10 pc
Minimum order quantity	10 pc
Sales key	BE01
Product key	BE1Z3X
Catalog page	Page 587 (C-1-2019)
GTIN	4017918001605
Weight per piece (including packing)	3.566 g
Weight per piece (excluding packing)	3.52 g
Customs tariff number	85366990
Country of origin	PL

PSBJ-URTK/S BK - Test plug strip



0311728

<https://www.phoenixcontact.com/ca/products/0311728>

Technical data

Product properties

Product type	Test socket
Number of positions	1

Data management status

Article revision	04
------------------	----

Connection data

Connection method	Screw connection
-------------------	------------------

Dimensions

Dimensional drawing	
Width	5 mm
Height	5 mm
Depth on NS 35/7,5	15 mm
Pin diameter	4 mm

Material specifications

Color	black (RAL 9005)
Material	Brass
Insulating material	PA
Contact material	Polyamide PA non-reinforced, silver-plated brass
Static insulating material application in cold	-60 °C
Relative insulation material temperature index (Elec., UL 746 B)	130 °C
Fire protection for rail vehicles (DIN EN 45545-2) R22	HL 1 - HL 3
Fire protection for rail vehicles (DIN EN 45545-2) R23	HL 1 - HL 3
Fire protection for rail vehicles (DIN EN 45545-2) R24	HL 1 - HL 3
Fire protection for rail vehicles (DIN EN 45545-2) R26	HL 1 - HL 3
Calorimetric heat release NFPA 130 (ASTM E 1354)	27,5 MJ/kg
Surface flammability NFPA 130 (ASTM E 162)	passed
Specific optical density of smoke NFPA 130 (ASTM E 662)	passed
Smoke gas toxicity NFPA 130 (SMP 800C)	passed

Environmental and real-life conditions

Ambient conditions

Ambient temperature (operation)	-60 °C ... 105 °C (max. short-term operating temperature RTI Elec.)
Ambient temperature (storage/transport)	-25 °C ... 60 °C (for a short time, not exceeding 24 h, -60 °C to +70 °C)

PSBJ-URTK/S BK - Test plug strip



0311728

<https://www.phoenixcontact.com/ca/products/0311728>

Ambient temperature (assembly)	-5 °C ... 70 °C
Ambient temperature (actuation)	-5 °C ... 70 °C
Permissible humidity (storage/transport)	30 % ... 70 %

PSBJ-URTK/S BK - Test plug strip

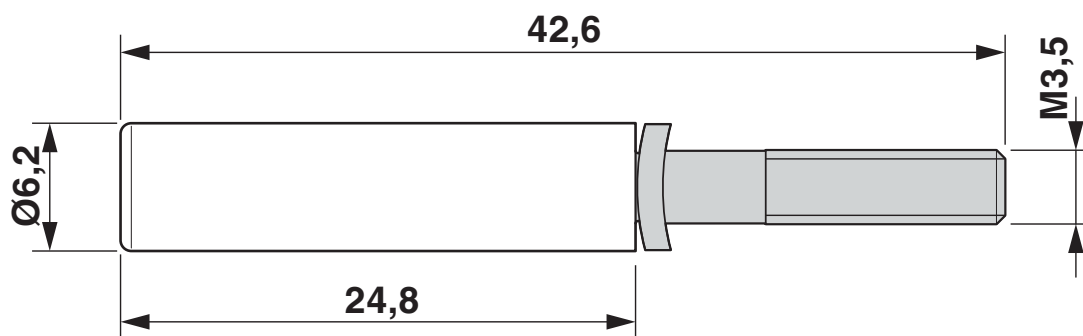


0311728

<https://www.phoenixcontact.com/ca/products/0311728>

Drawings

Dimensional drawing



PSBJ-URTK/S BK - Test plug strip



0311728

<https://www.phoenixcontact.com/ca/products/0311728>

Classifications

ECLASS

ECLASS-11.0	27440313
ECLASS-12.0	27440313
ECLASS-13.0	27440313

ETIM

ETIM 9.0	EC002255
----------	----------

UNSPSC

UNSPSC 21.0	20122000
-------------	----------

PSBJ-URTK/S BK - Test plug strip



0311728

<https://www.phoenixcontact.com/ca/products/0311728>

Environmental product compliance

EU RoHS

Fulfills EU RoHS substance requirements	Yes, No exemptions
---	--------------------

China RoHS

Environment friendly use period (EFUP)	EFUP-E
	No hazardous substances above the limits

EU REACH SVHC

REACH candidate substance (CAS No.)	No substance above 0.1 wt%
-------------------------------------	----------------------------

Phoenix Contact 2024 © - all rights reserved
<https://www.phoenixcontact.com>

PHOENIX CONTACT Ltd
8240 Parkhill Drive
Milton, Ontario L9T 5V7
1-800-890-2820
cdinfo@phoenixcontact.ca