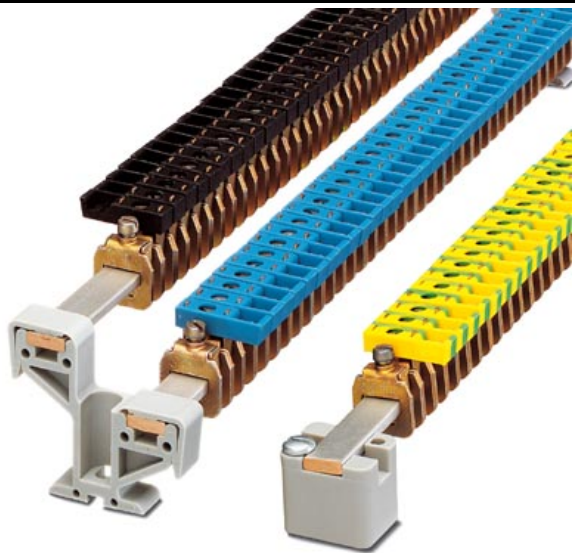


Please note that the data given here has been taken from the online catalog. For comprehensive information and data, please refer to the user documentation at <http://www.download.phoenixcontact.com>. The General Terms and Conditions of Use apply to Internet downloads.

► Extract from the online catalog



Power terminal block, cross section: 0.5 - 4 mm² , width: 7 mm

The illustration shows a combination of versions AKG 4 BK, AKG 4 BU and AKG 4 GNYE

Order No.	0404017
Ord designation	AK 4
EAN	4017918001841
Pack	50 Pcs.
Customs tariff	85369010
Catalog page information	Page 262 (CL-2005)

► Technical data

General

Insulating material	PA
Inflammability class acc. to UL 94	V2

Dimensions

Length	23.5 mm
Width	7 mm

Technical data

Maximum load current	41 A (with 6 mm ² conductor cross section)
Connection in acc. with standard	IEC/ DIN VDE
Nominal current I _N	41 A

Connection data

Conductor cross section, rigid min.	0.5 mm ²
Conductor cross section, rigid max.	6 mm ²
Conductor cross section flexible min.	0.5 mm ²
Conductor cross section, flexible max.	4 mm ²
Conductor cross section AWG/kcmil min.	20
Conductor cross section AWG/kcmil max	10
Conductor cross section flexible, with ferrule without plastic sleeve min.	0.5 mm ²
Conductor cross section flexible, with ferrule without plastic sleeve max.	6 mm ²
Conductor cross section flexible, with ferrule with plastic sleeve min.	0.5 mm ²
Conductor cross section flexible, with ferrule with plastic sleeve max.	6 mm ²
2 conductors with same cross section, solid min.	0.5 mm ²
2 conductors with same cross section, solid max.	2.5 mm ²
2 conductors with same cross section, flexible, min.	0.5 mm ²
2 conductors with same cross section, flexible max.	2.5 mm ²
2 conductors with same cross section, flexible, ferrules without plastic sleeve min.	0.5 mm ²
2 conductors with same cross section, flexible, ferrules without plastic sleeve, max.	2.5 mm ²
2 conductors with same cross section, flexible, TWIN ferrules with plastic sleeve, min.	0.5 mm ²
2 conductors with identical cross section, flexible TWIN ferrules with plastic sleeve, max.	2.5 mm ²
Stripping length	16 mm
Screw thread	M 4
Tightening torque, min	1.5 Nm
Tightening torque max	1.8 Nm

► Certificates

Certificate logos



UL

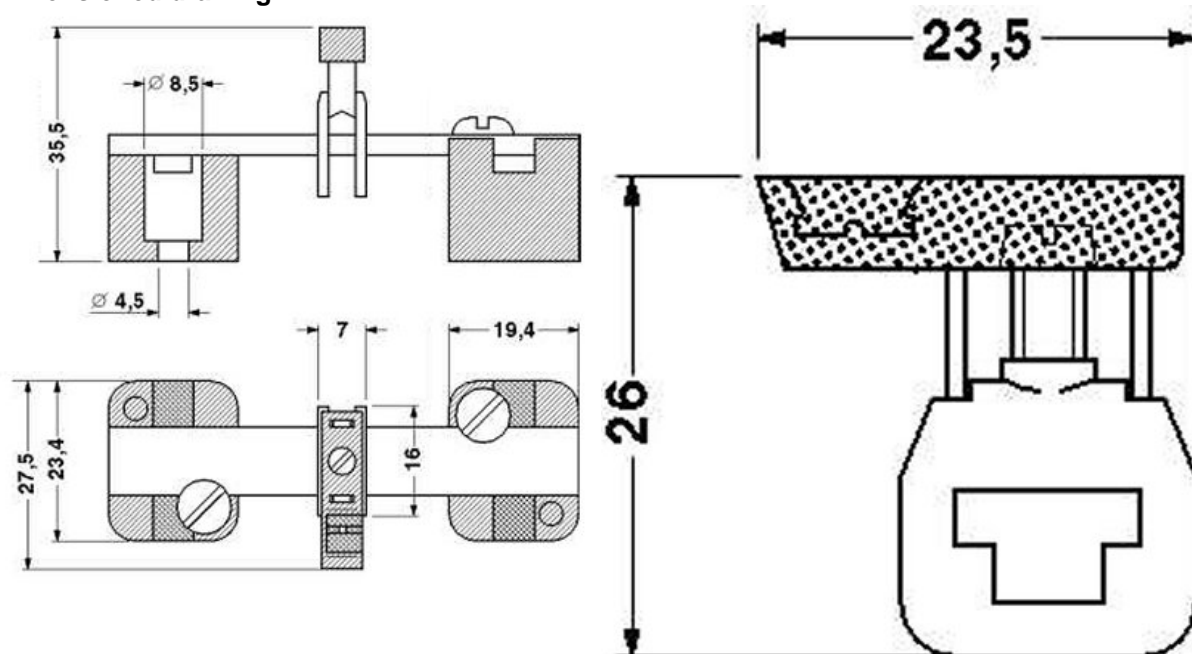
Nominal voltage U_N	300 V
Nominal current I_N	20 A
AWG/kcmil	22-12

CUL

Nominal voltage U_N	300 V
Nominal current I_N	20 A
AWG/kcmil	22-12

► Drawings

Dimensioned drawing



► Accessories

Item	Designation	Description
Assembly		
0404428	AB/SS	Support made of insulating material, with retaining screw, for use with either 3 x 10 mm or 6 x 6 mm busbar, color: gray
0404431	AB2/SS	Double support, insulating material, optionally for use with 3 x 10 mm or 6 x 6 mm busbar, height: 48 mm
0404460	ABN 2/SS	Double support, insulating material, optionally for use with 3 x 10 mm or 6 x 6 mm busbar, height: 36.8 mm
0402174	NLS-CU 3/10 METER	SN Neutral busbar, 3x10 mm, length: 1000 mm
3032431	UAB 1	Separating plate, width: 2 mm, color: blue
Marking		
1050004	ZB 5 :UNBEDRUCKT	Zack strip, unprinted, 10-section, for individual labeling with M-PEN, ZB-T or CMS system, pack is sufficient for 100 terminal blocks, for a terminal width of 5.02 mm, color: White
Tools		
1205053	SZS 0,6X3,5	Screwdriver, bladed, matches all screw terminal blocks up to 4.0 mm ² connection cross section, blade: 0.6 x 3.5 mm, without VDE approval

► Address

PHOENIX CONTACT GmbH & Co. KG
Flachsmarktstr. 8
32825 Blomberg
Germany
Phone +49 5235 3 00
Fax +49 5235 3 1200
<http://www.phoenixcontact.com>
Phoenix Contact
Technical modifications reserved;