

AKG 4 BK - Connection terminal block



0421032

<https://www.phoenixcontact.com/ca/products/0421032>

Please be informed that the data shown in this PDF document is generated from our online catalog. Please find the complete data in the user documentation. Our general terms of use for downloads are valid.



Connection terminal block, nom. voltage: 300 V, nominal current: 41 A, connection method: Screw connection, Rated cross section: 4 mm², cross section: 0.5 mm² - 6 mm², mounting: Neutral busbar, color: black

Commercial data

Item number	0421032
Packing unit	50 pc
Minimum order quantity	50 pc
Sales key	BE07
Product key	BE7331
Catalog page	Page 554 (C-3-2019)
GTIN	4017918001933
Weight per piece (including packing)	5.5 g
Weight per piece (excluding packing)	5.426 g
Customs tariff number	85369010
Country of origin	IN

AKG 4 BK - Connection terminal block



0421032

<https://www.phoenixcontact.com/ca/products/0421032>

Technical data

Product properties

Product type	Installation terminal block
Number of connections	1
Number of rows	1

Electrical properties

Maximum load current	41 A
Maximum power dissipation for nominal condition	1.02 W
Nominal current I_N	32 A
Current carrying capacity of the neutral busbar	140 A

Connection data

Nominal cross section	4 mm ²
Maximum load current	41 A

Level 1 above 1 below 1

Screw thread	M4
Tightening torque	1.5 ... 1.8 Nm
Stripping length	16 mm
Conductor cross section rigid	0.5 mm ² ... 6 mm ²
Cross section AWG	20 ... 10 (converted acc. to IEC)
Conductor cross section flexible	0.5 mm ² ... 4 mm ²
Conductor cross section, flexible [AWG]	20 ... 12 (converted acc. to IEC)
Conductor cross-section flexible (ferrule without plastic sleeve)	0.5 mm ² ... 6 mm ²
Flexible conductor cross section (ferrule with plastic sleeve)	0.5 mm ² ... 6 mm ²
2 conductors with same cross section, solid	0.5 mm ² ... 2.5 mm ²
2 conductors with same cross section, flexible	0.5 mm ² ... 2.5 mm ²
2 conductors with same cross section, flexible, with ferrule without plastic sleeve	0.5 mm ² ... 2.5 mm ²
2 conductors with the same cross section, flexible, with TWIN ferrule with plastic sleeve	0.5 mm ² ... 2.5 mm ²
Nominal current	41 A
Maximum load current	41 A (with 6 mm ² conductor cross section)
Nominal voltage	300 V
Nominal cross section	4 mm ²

Dimensions

AKG 4 BK - Connection terminal block



0421032

<https://www.phoenixcontact.com/ca/products/0421032>

Dimensional drawing	
Width	7 mm
Height	23.4 mm
Depth	24 mm
Length	23.4 mm

Material specifications

Color	black
Flammability rating according to UL 94	V2
Insulating material	PA
Static insulating material application in cold	-60 °C
Temperature index of insulation material (DIN EN 60216-1 (VDE 0304-21))	130 °C
Relative insulation material temperature index (Elec., UL 746 B)	130 °C
Fire protection for rail vehicles (DIN EN 45545-2) R22	HL 1 - HL 3
Fire protection for rail vehicles (DIN EN 45545-2) R23	HL 1 - HL 3
Fire protection for rail vehicles (DIN EN 45545-2) R24	HL 1 - HL 3
Fire protection for rail vehicles (DIN EN 45545-2) R26	HL 1 - HL 3
Calorimetric heat release NFPA 130 (ASTM E 1354)	28 MJ/kg
Surface flammability NFPA 130 (ASTM E 162)	passed
Specific optical density of smoke NFPA 130 (ASTM E 662)	passed
Smoke gas toxicity NFPA 130 (SMP 800C)	passed

Electrical tests

Temperature-rise test

Requirement temperature-rise test	Increase in temperature ≤ 45 K
Result	Test passed
Result	Test passed

Environmental and real-life conditions

Ambient conditions

Ambient temperature (operation)	-60 °C ... 110 °C (Operating temperature range incl. self-heating; for max. short-term operating temperature, see RTI Elec.)
Ambient temperature (storage/transport)	-25 °C ... 60 °C (for a short time, not exceeding 24 h, -60 °C to +70 °C)
Ambient temperature (assembly)	-5 °C ... 70 °C
Ambient temperature (actuation)	-5 °C ... 70 °C

AKG 4 BK - Connection terminal block



0421032

<https://www.phoenixcontact.com/ca/products/0421032>

Permissible humidity (operation)	20 % ... 90 %
Permissible humidity (storage/transport)	30 % ... 70 %

Mounting

Mounting type	Neutral busbar
---------------	----------------

AKG 4 BK - Connection terminal block

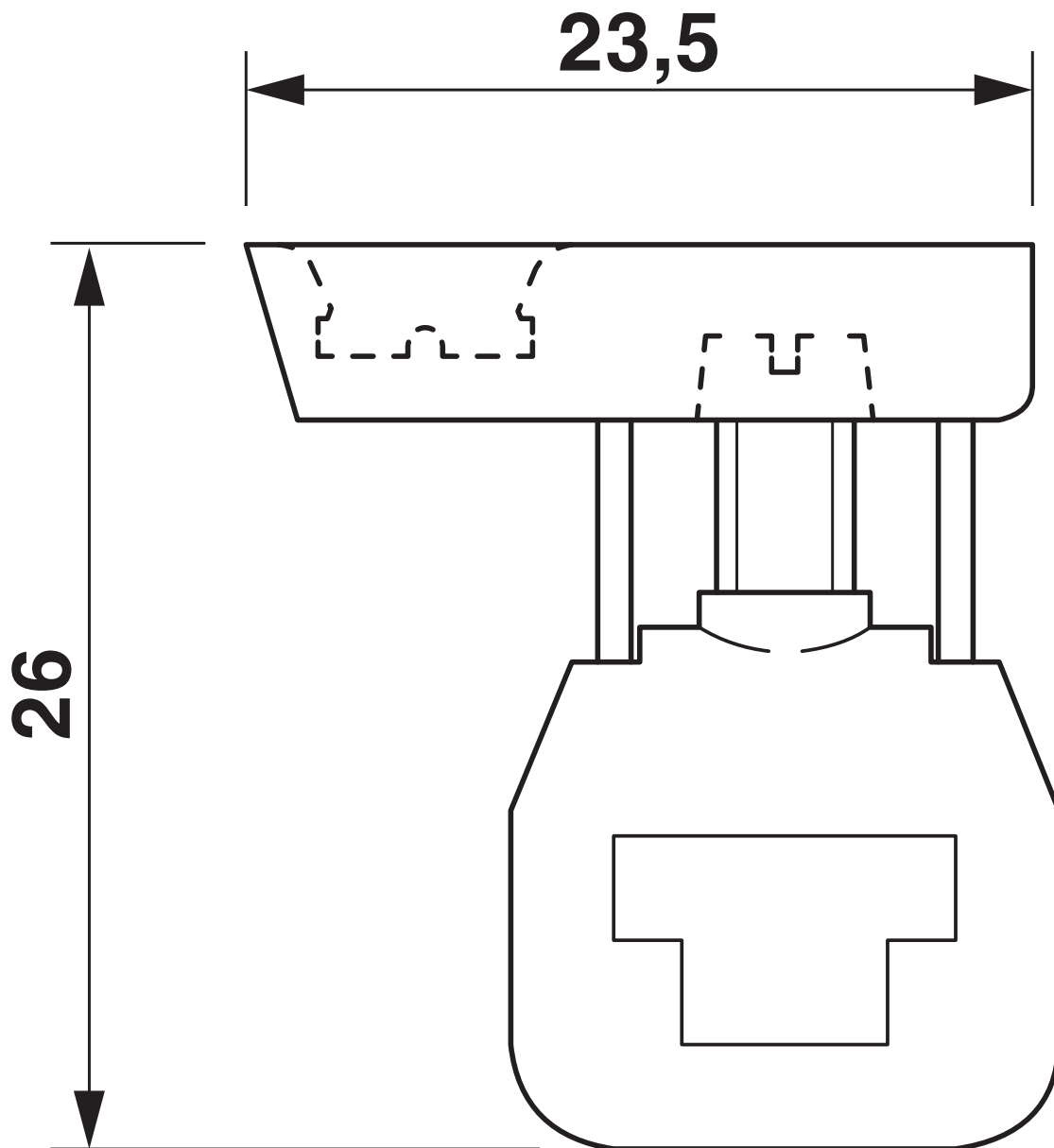


0421032

<https://www.phoenixcontact.com/ca/products/0421032>

Drawings

Dimensional drawing

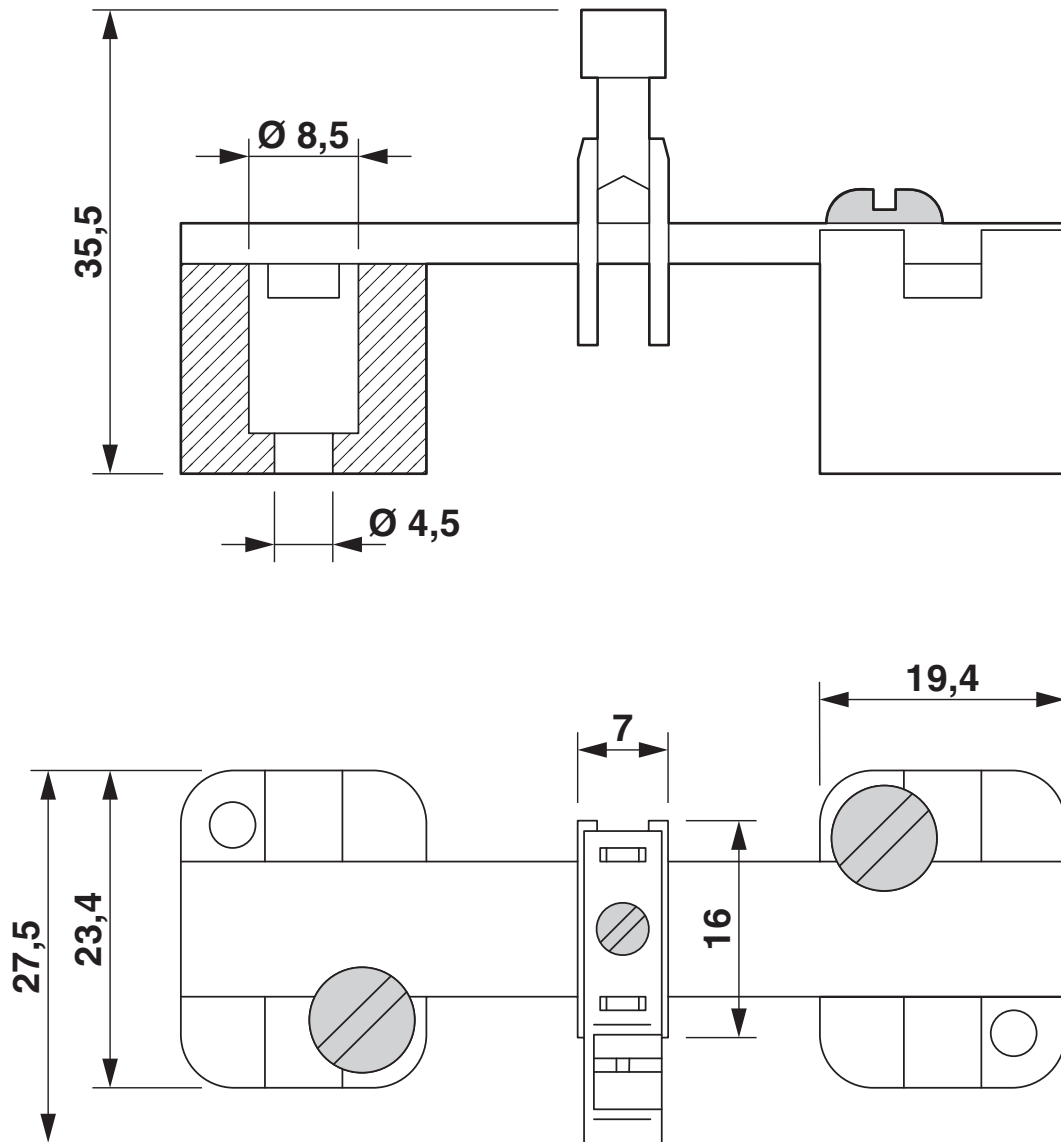


AKG 4 BK - Connection terminal block

0421032

<https://www.phoenixcontact.com/ca/products/0421032>

Dimensional drawing



AKG 4 BK - Connection terminal block





0421032


<https://www.phoenixcontact.com/ca/products/0421032>

Approvals

To download certificates, visit the product detail page: <https://www.phoenixcontact.com/ca/products/0421032>

 CSA Approval ID: 13631				
	Nominal voltage U_N	Nominal current I_N	Cross section AWG	Cross section mm^2
	-	20 A	22 - 12	-

 EAC Approval ID: RU C-DE.BL08.B.00534				
---	--	--	--	--

 cULus Recognized Approval ID: E60425				
	Nominal voltage U_N	Nominal current I_N	Cross section AWG	Cross section mm^2
Use group B				
Field wiring	-	20 A	22 - 12	-
Factory wiring	-	30 A	- 10	-
Use group C				
Field wiring	-	20 A	22 - 12	-
Factory wiring	-	30 A	- 10	-
Use group F				
Field wiring	-	20 A	22 - 12	-
Factory wiring	-	30 A	- 10	-

AKG 4 BK - Connection terminal block



0421032

<https://www.phoenixcontact.com/ca/products/0421032>

Classifications

ECLASS

ECLASS-11.0	27141146
ECLASS-12.0	27141146
ECLASS-13.0	27250116

ETIM

ETIM 9.0	EC000001
----------	----------

UNSPSC

UNSPSC 21.0	31162900
-------------	----------

AKG 4 BK - Connection terminal block



0421032

<https://www.phoenixcontact.com/ca/products/0421032>

Environmental product compliance

EU RoHS

Fulfills EU RoHS substance requirements	Yes, No exemptions
---	--------------------

China RoHS

Environment friendly use period (EFUP)	EFUP-E
	No hazardous substances above the limits

EU REACH SVHC

REACH candidate substance (CAS No.)	No substance above 0.1 wt%
-------------------------------------	----------------------------

Phoenix Contact 2024 © - all rights reserved
<https://www.phoenixcontact.com>

PHOENIX CONTACT Ltd
8240 Parkhill Drive
Milton, Ontario L9T 5V7
1-800-890-2820
cdinfo@phoenixcontact.ca