

TCP 15/DC32V - Thermal device circuit breaker



0700015

<https://www.phoenixcontact.com/ca/products/0700015>

Please be informed that the data shown in this PDF document is generated from our online catalog. Please find the complete data in the user documentation. Our general terms of use for downloads are valid.



Thermal device circuit breaker, number of positions: 1, nominal current: 15 A, nom. voltage: 32 V, fuse type: Slow-blow, fuse type: Automatic device, mounting type: on base element

Your advantages

- Fast, replacement part-free recommissioning after an event with the reconnection options
- Easy to retrofit in existing systems with vehicle flat-type fuses with identical pin connector pattern
- Easy identification of the nominal current value via color marking

Commercial data

Item number	0700015
Packing unit	50 pc
Minimum order quantity	1 pc
Sales key	CL34
Product key	CLA112
Catalog page	Page 400 (C-4-2019)
GTIN	4046356079655
Weight per piece (including packing)	4.107 g
Weight per piece (excluding packing)	4.08 g
Customs tariff number	85362010
Country of origin	DE

TCP 15/DC32V - Thermal device circuit breaker



0700015

<https://www.phoenixcontact.com/ca/products/0700015>

Technical data

Product properties

Product type	Thermal device circuit breakers
Type	Male
Number of positions	1
No. of channels	1

Electrical properties

Fuse type	Automatic device
Fuse	Slow-blow

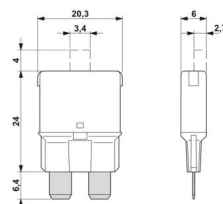
General

Rated voltage	32 V DC
Rated current I_N	15 A
Rated short-circuit switching capacity I_{cn}	150 A (≥ 3 shutdowns)
	2000 A (≥ 1 switch-off)
	≤ 50 A (300 switch-offs)
Short-circuit switching capacity	2000 A (≥ 1 switch-off)
Voltage drop	< 150 mV

Connection data

Note	The reset button must not be obstructed!
Nominal current	15 A
Nominal voltage	32 V AC
	32 V DC
Connection method	pluggable

Dimensions

Dimensional drawing	
Width	6 mm
Height	20.3 mm
Depth	30.4 mm

Material specifications

Color	light blue (RAL 5012)
Material	PA
Insulating material	PA

TCP 15/DC32V - Thermal device circuit breaker



0700015

<https://www.phoenixcontact.com/ca/products/0700015>

Mechanical properties

Mechanical data

Open side panel	No
-----------------	----

Environmental and real-life conditions

Ambient conditions

Degree of protection	IP30 (Actuation area)
Ambient temperature (operation)	-40 °C ... 85 °C
Humidity test	240 h, 95 % RH, 40 °C

Mounting

Mounting type	on base element
---------------	-----------------

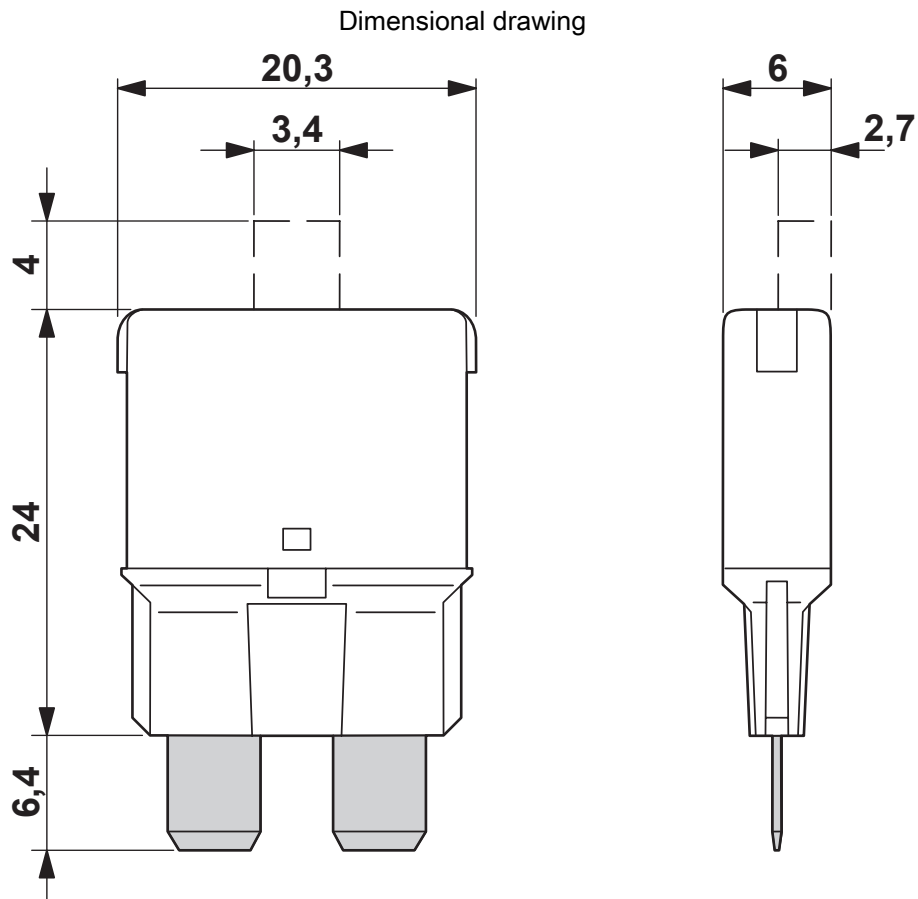
TCP 15/DC32V - Thermal device circuit breaker

0700015

<https://www.phoenixcontact.com/ca/products/0700015>



Drawings

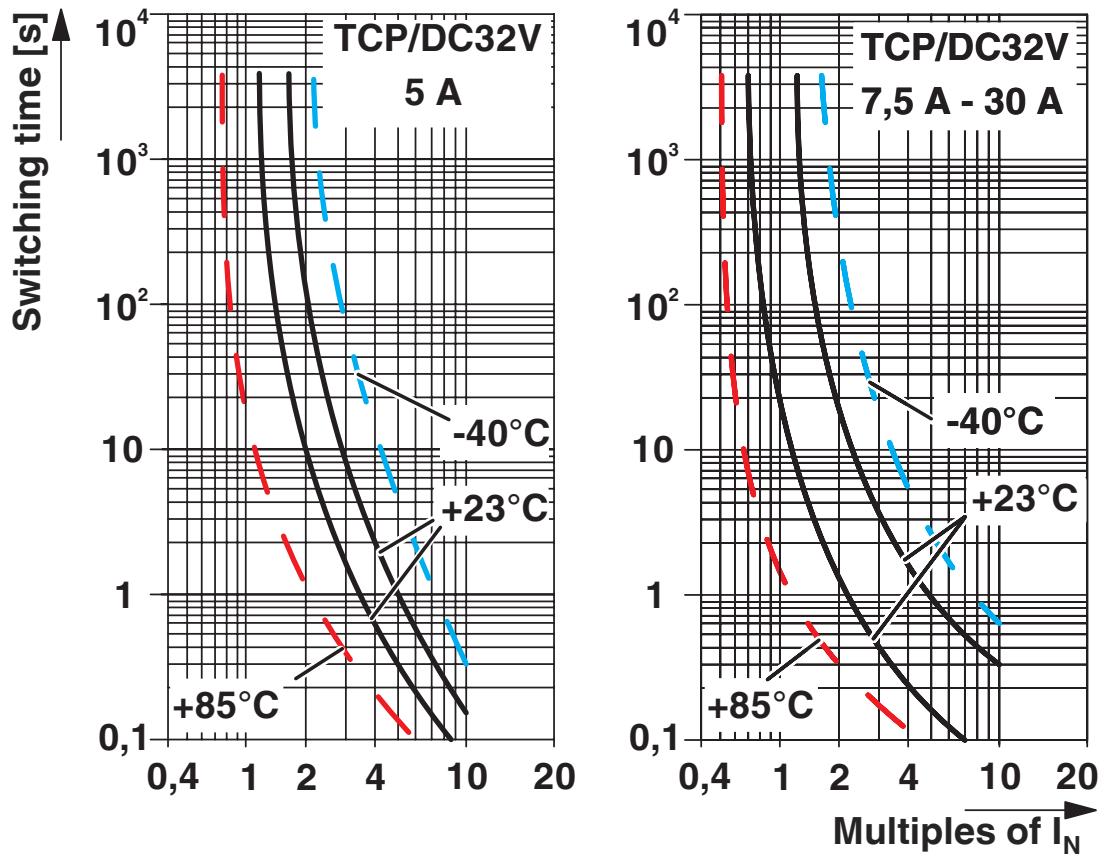


TCP 15/DC32V - Thermal device circuit breaker

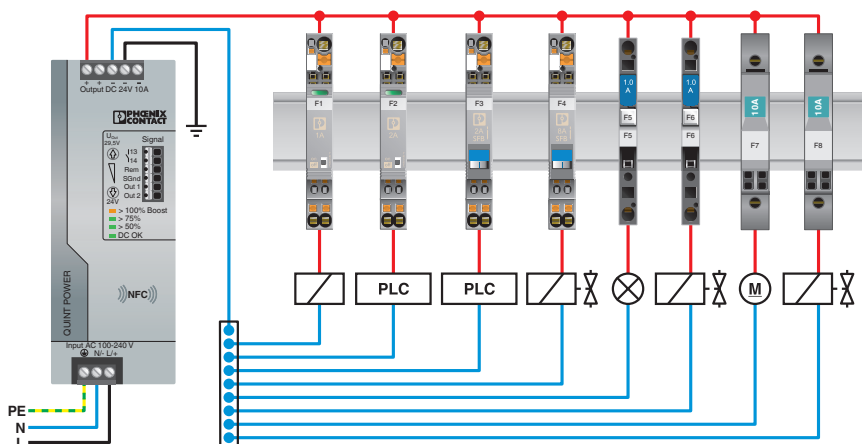
0700015

<https://www.phoenixcontact.com/ca/products/0700015>

Diagram



Application drawing



TCP 15/DC32V - Thermal device circuit breaker



0700015

<https://www.phoenixcontact.com/ca/products/0700015>

Classifications

ECLASS

ECLASS-11.0	27141116
ECLASS-12.0	27141116
ECLASS-13.0	27140401

ETIM

ETIM 9.0	EC000899
----------	----------

UNSPSC

UNSPSC 21.0	39121400
-------------	----------

TCP 15/DC32V - Thermal device circuit breaker



0700015

<https://www.phoenixcontact.com/ca/products/0700015>

Environmental product compliance

EU RoHS

Fulfills EU RoHS substance requirements	Yes
Exemption	6(a), 6(a)-I

China RoHS

Environment friendly use period (EFUP)	EFUP-25
	An article-related China RoHS declaration table can be found in the download area for the respective article under "Manufacturer declaration". For all articles with EFUP-E, no China RoHS declaration table issued and required.

EU REACH SVHC

REACH candidate substance (CAS No.)	Lead(CAS: 7439-92-1)
SCIP	78131782-6587-40d3-a89e-b6abe9110a7a

Phoenix Contact 2024 © - all rights reserved

<https://www.phoenixcontact.com>

PHOENIX CONTACT Ltd
8240 Parkhill Drive
Milton, Ontario L9T 5V7
1-800-890-2820
cdinfo@phoenixcontact.ca