

# TCP 30/DC32V - Thermal device circuit breaker



0700030

<https://www.phoenixcontact.com/ca/products/0700030>

Please be informed that the data shown in this PDF document is generated from our online catalog. Please find the complete data in the user documentation. Our general terms of use for downloads are valid.



Thermal device circuit breaker, number of positions: 1, nominal current: 30 A, nom. voltage: 32 V, fuse type: Slow-blow, fuse type: Automatic device, mounting type: on base element

## Your advantages

- Fast, replacement part-free recommissioning after an event with the reconnection options
- Easy to retrofit in existing systems with vehicle flat-type fuses with identical pin connector pattern
- Easy identification of the nominal current value via color marking

## Commercial data

Item number	0700030
Packing unit	1 pc
Minimum order quantity	1 pc
Sales key	CL34
Product key	CLA112
Catalog page	Page 400 (C-4-2019)
GTIN	4046356079884
Weight per piece (including packing)	4.1 g
Weight per piece (excluding packing)	4.1 g
Customs tariff number	85362010
Country of origin	DE

# TCP 30/DC32V - Thermal device circuit breaker



0700030

<https://www.phoenixcontact.com/ca/products/0700030>

## Technical data

### Product properties

Product type	Thermal device circuit breakers
Type	Male
Number of positions	1
No. of channels	1

### Electrical properties

Fuse type	Automatic device
Fuse	Slow-blow

### General

Rated voltage	32 V DC
Rated current $I_N$	30 A
Rated short-circuit switching capacity $I_{cn}$	150 A ( $\geq 3$ shutdowns)
	2000 A ( $\geq 1$ switch-off)
	$\leq 50$ A (300 switch-offs)
Short-circuit switching capacity	2000 A ( $\geq 1$ switch-off)
Voltage drop	$< 150$ mV

### Connection data

Note	The reset button must not be obstructed!
Nominal current	30 A
Nominal voltage	32 V AC
	32 V DC
Connection method	pluggable

### Dimensions

Dimensional drawing	
Width	6 mm
Height	20.3 mm
Depth	30.4 mm

### Material specifications

Color	yellow green (RAL 6018)
Material	PA
Insulating material	PA

# TCP 30/DC32V - Thermal device circuit breaker



0700030

<https://www.phoenixcontact.com/ca/products/0700030>

## Mechanical properties

### Mechanical data

Open side panel	No
-----------------	----

## Environmental and real-life conditions

### Ambient conditions

Degree of protection	IP30 (Actuation area)
Ambient temperature (operation)	-40 °C ... 85 °C
Humidity test	240 h, 95 % RH, 40 °C

## Mounting

Mounting type	on base element
---------------	-----------------

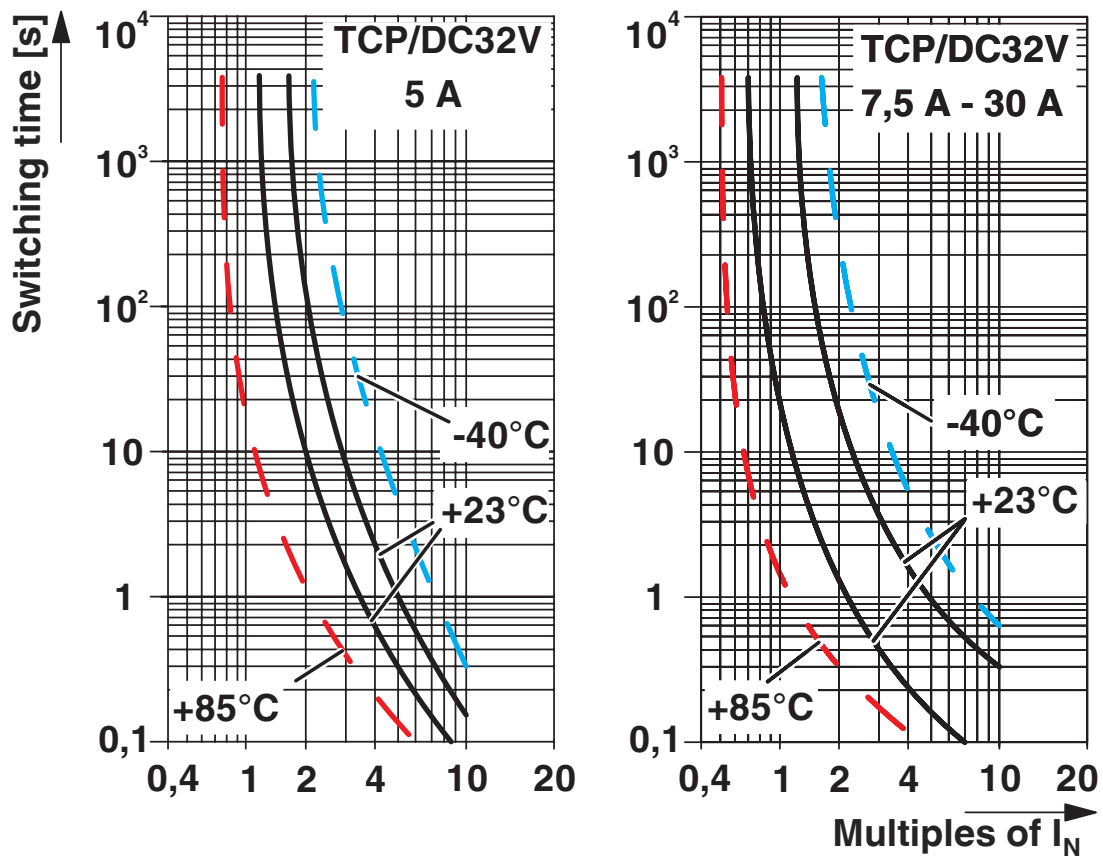
# TCP 30/DC32V - Thermal device circuit breaker

0700030

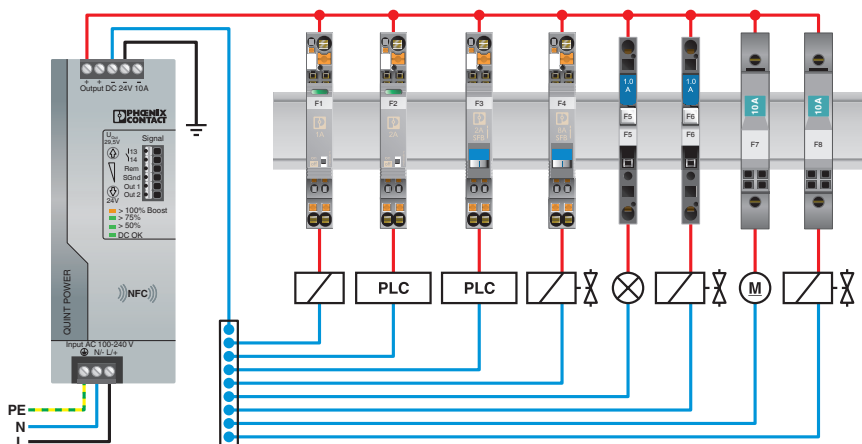
<https://www.phoenixcontact.com/ca/products/0700030>

## Drawings

Diagram



Application drawing



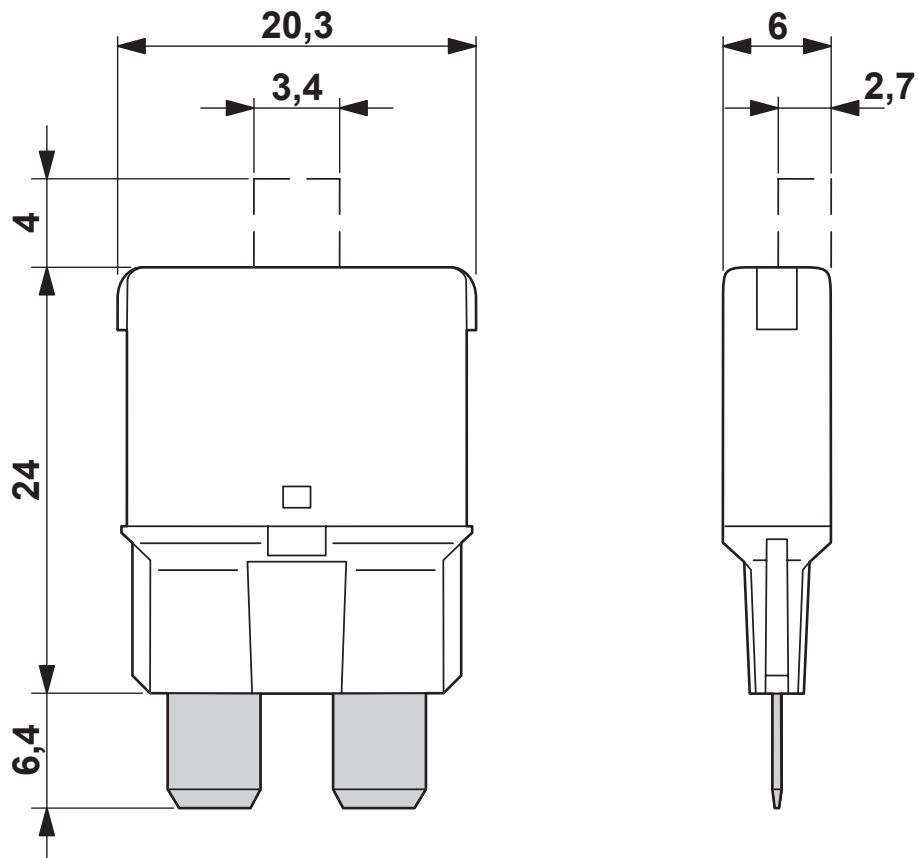
# TCP 30/DC32V - Thermal device circuit breaker

0700030

<https://www.phoenixcontact.com/ca/products/0700030>



Dimensional drawing



# TCP 30/DC32V - Thermal device circuit breaker



0700030

<https://www.phoenixcontact.com/ca/products/0700030>

## Classifications

### ECLASS

ECLASS-11.0	27141116
ECLASS-12.0	27141116
ECLASS-13.0	27140401

### ETIM

ETIM 9.0	EC000899
----------	----------

### UNSPSC

UNSPSC 21.0	39121400
-------------	----------

# TCP 30/DC32V - Thermal device circuit breaker



0700030

<https://www.phoenixcontact.com/ca/products/0700030>

## Environmental product compliance

### EU RoHS

Fulfills EU RoHS substance requirements	Yes
Exemption	6(a), 6(a)-I

### China RoHS

Environment friendly use period (EFUP)	EFUP-25
	An article-related China RoHS declaration table can be found in the download area for the respective article under "Manufacturer declaration". For all articles with EFUP-E, no China RoHS declaration table issued and required.

### EU REACH SVHC

REACH candidate substance (CAS No.)	Lead(CAS: 7439-92-1)
SCIP	73ea15a0-51b1-4ee5-9b85-043ba30b1396

Phoenix Contact 2024 © - all rights reserved

<https://www.phoenixcontact.com>

PHOENIX CONTACT Ltd  
8240 Parkhill Drive  
Milton, Ontario L9T 5V7  
1-800-890-2820  
[cdinfo@phoenixcontact.ca](mailto:cdinfo@phoenixcontact.ca)