

TCP 1A - Thermal device circuit breaker



0712194

<https://www.phoenixcontact.com/pc/products/0712194>

Please be informed that the data shown in this PDF document is generated from our online catalog. Please find the complete data in the user documentation. Our general terms of use for downloads are valid.



Thermal miniature circuit breaker, pluggable in screw-type fuse terminal block UK 6-FSI/C and spring-cage fuse terminal block ST 4-FSI/C

Your advantages

- Fast, replacement part-free recommissioning after an event with the reconnection options
- Easy to retrofit in existing systems with vehicle flat-type fuses with identical pin connector pattern
- System disconnection for maintenance actions via the integrated device switch

Commercial data

Item number	0712194
Packing unit	20 pc
Minimum order quantity	1 pc
Sales key	07
Product key	CLA111
Catalog page	Page 401 (C-4-2019)
GTIN	4017918848354
Weight per piece (including packing)	11.151 g
Weight per piece (excluding packing)	11.1 g
Customs tariff number	85362010
Country of origin	ID

TCP 1A - Thermal device circuit breaker



0712194

<https://www.phoenixcontact.com/pc/products/0712194>

Technical data

Notes

General	When mounted in rows, the nominal device current can be limited to just 80% or must be oversized accordingly.
---------	---

Product properties

Product type	Thermal device circuit breakers
Type	Male
Number of positions	1
No. of channels	1

Insulation characteristics

Overvoltage category	II
Degree of pollution	2

Electrical properties

Fuse type	Automatic device
Fuse	Slow-blow

General

Rated voltage	250 V AC
	65 V DC
	250 V AC (AC according to UL 1077)
	72 V DC (DC according to UL 1077)
Rated current I_N	1 A
Rated surge voltage	2.5 kV
Insulation resistance R_{iso}	> 100 M Ω (500 V DC)
Tripping method	T (thermal)
Device resistance	0.9 Ω
Rated short-circuit switching capacity I_{cn}	6 A (250 V AC / 65 V DC)
	10 A (30 V DC)
Short-circuit switching capacity	2000 A (250 V AC / UL 1077)
	2000 A (72 V DC / UL 1077)
Dielectric strength	3000 V AC (Actuation area)
	1500 V AC (Installation area)
Switching cycles, max.	6000 (At 1 x I_n , low-induction)
	3000 (At 1 x I_n , inductive)
	500 (At 2 x I_n , inductive)

Connection data

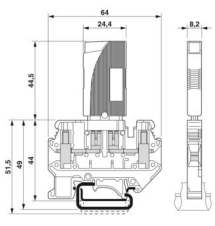
Nominal current	1 A
Nominal voltage	250 V AC
	65 V DC
Connection method	pluggable

TCP 1A - Thermal device circuit breaker

0712194

<https://www.phoenixcontact.com/pc/products/0712194>

Dimensions

Dimensional drawing	
Width	8.2 mm
Height	24.4 mm
Height NS 35/7,5	55 mm
Depth	44.5 mm

Material specifications

Color	black (RAL 9005)
Flammability rating according to UL 94	V0
Insulating material group	IIIb
Insulating material	PPS

Mechanical properties

Mechanical data

Open side panel	No
-----------------	----

Environmental and real-life conditions

Ambient conditions

Degree of protection	IP40 (Actuation area)
Ambient temperature (operation)	-20 °C ... 60 °C
Altitude	4000 m
Humidity test	240 h, 95 % RH, 40 °C

Standards and regulations

Standards/specifications	EN 60934
--------------------------	----------

Mounting

Mounting type	on base element
---------------	-----------------

TCP 1A - Thermal device circuit breaker

0712194

<https://www.phoenixcontact.com/pc/products/0712194>



Drawings

Product drawing



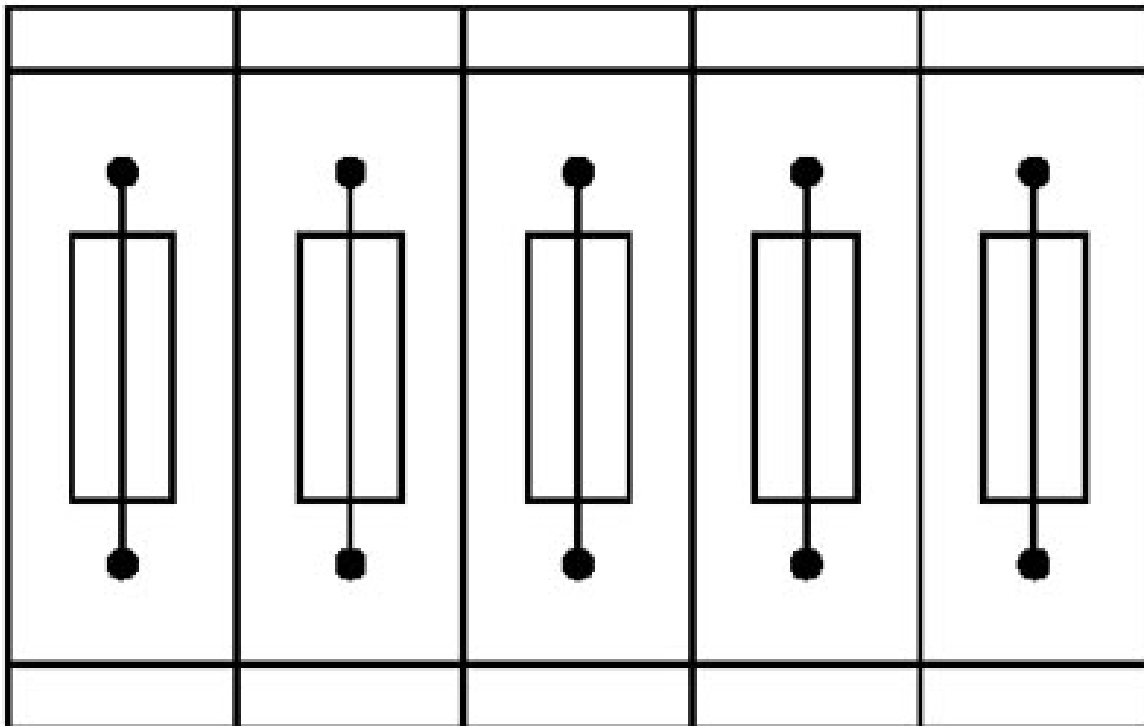
The figure shows the product with the base element PT 6-FSI/C-LED 24 (Item No.: 3212172).

TCP 1A - Thermal device circuit breaker

0712194

<https://www.phoenixcontact.com/pc/products/0712194>

Application drawing



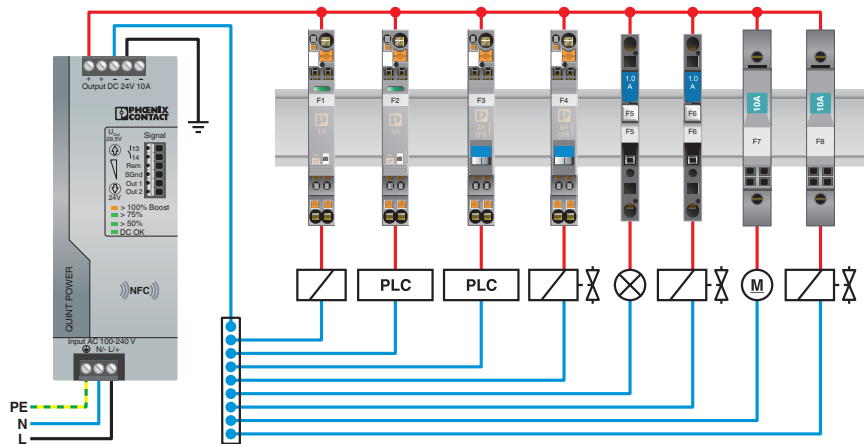
Fuse terminal blocks in interconnected arrangement,
block consisting of 5 fuse terminal blocks

TCP 1A - Thermal device circuit breaker

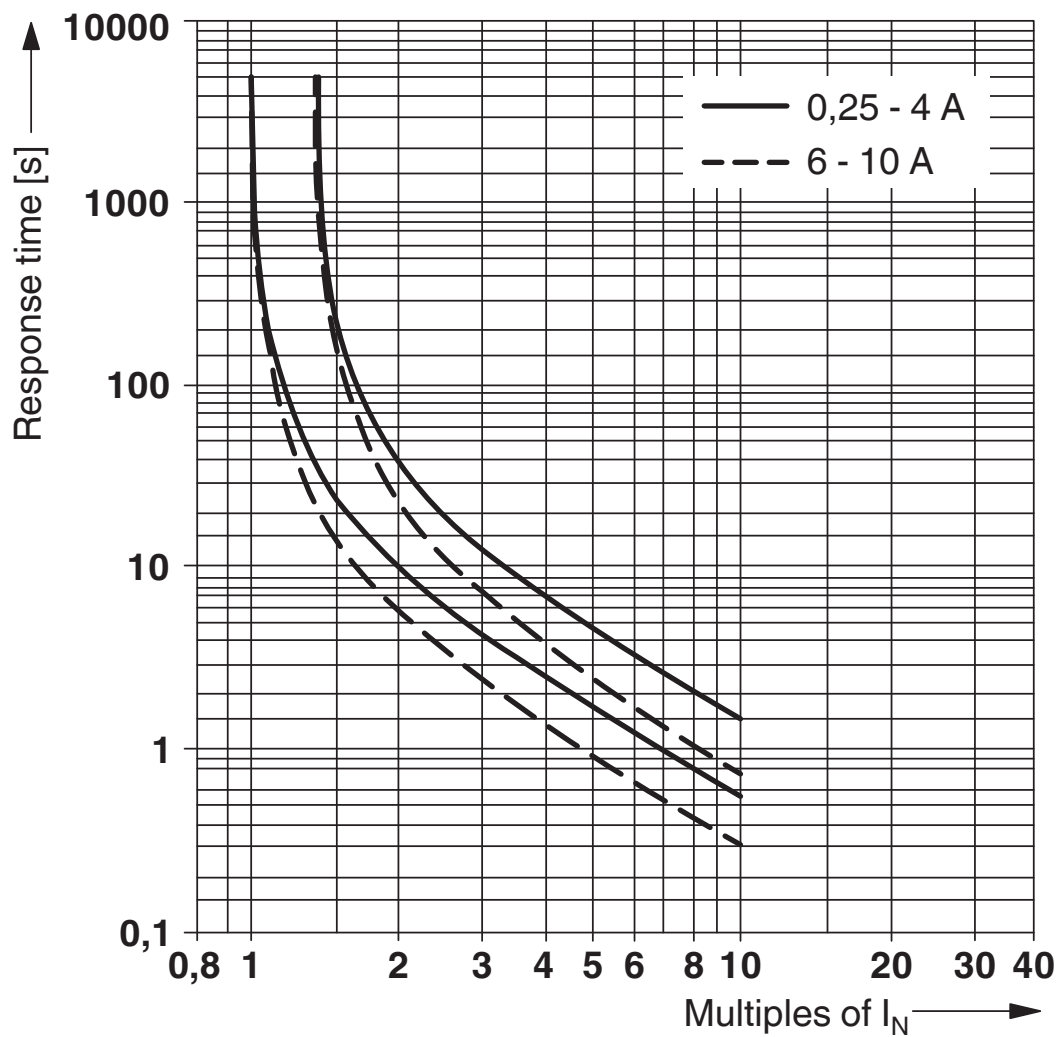
0712194

<https://www.phoenixcontact.com/pc/products/0712194>

Application drawing



Diagram



Trigger characteristic

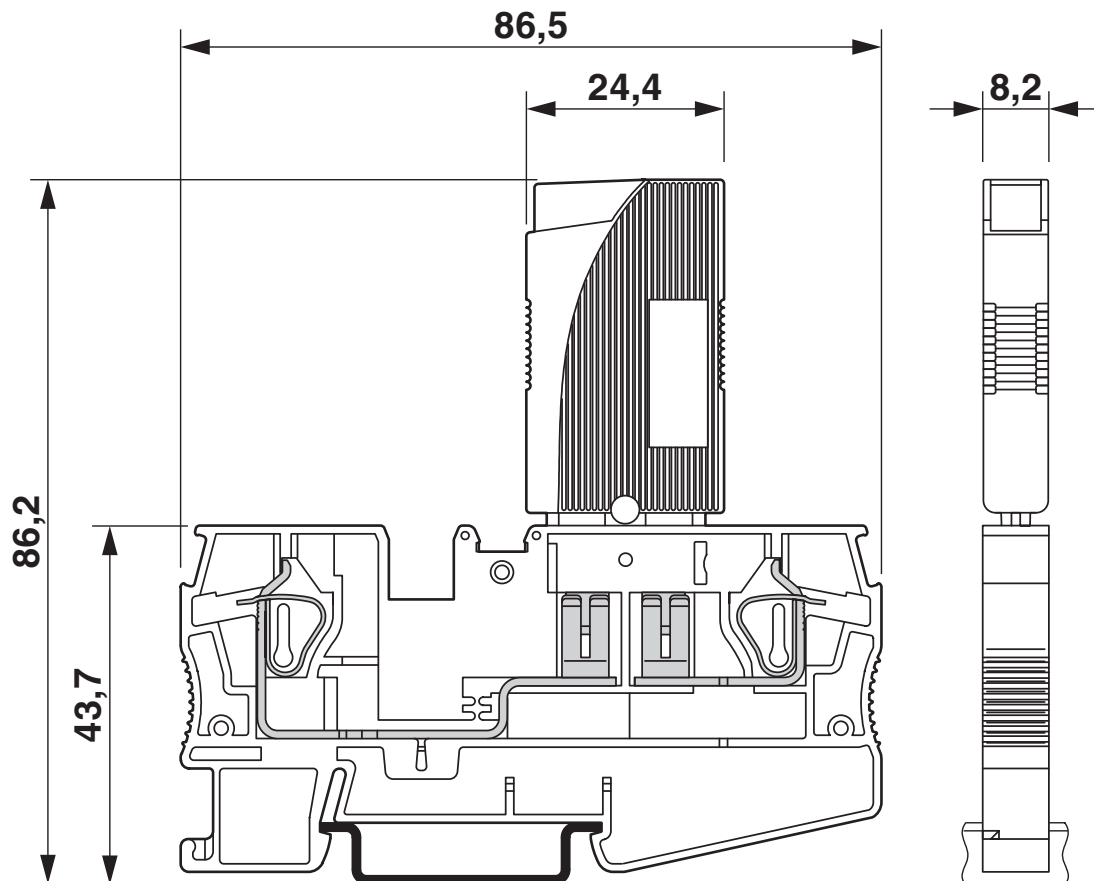
TCP 1A - Thermal device circuit breaker

0712194

<https://www.phoenixcontact.com/pc/products/0712194>



Dimensional drawing



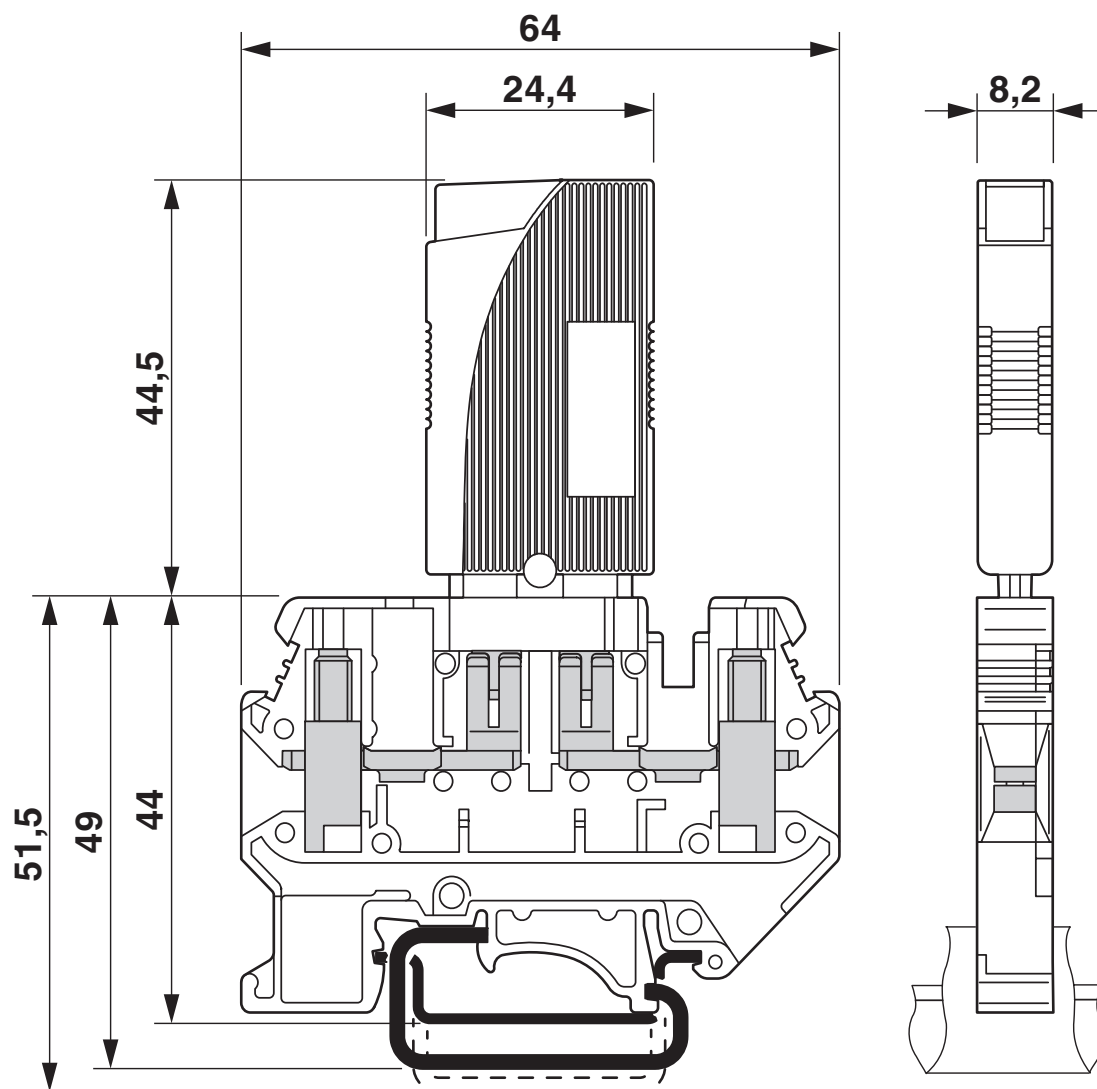
TCP 1A - Thermal device circuit breaker

0712194

<https://www.phoenixcontact.com/pc/products/0712194>



Dimensional drawing

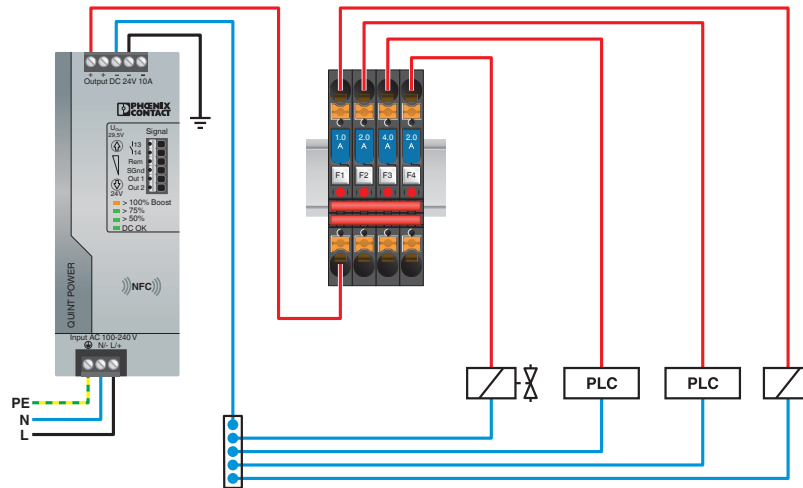


TCP 1A - Thermal device circuit breaker

0712194

<https://www.phoenixcontact.com/pc/products/0712194>

Application drawing

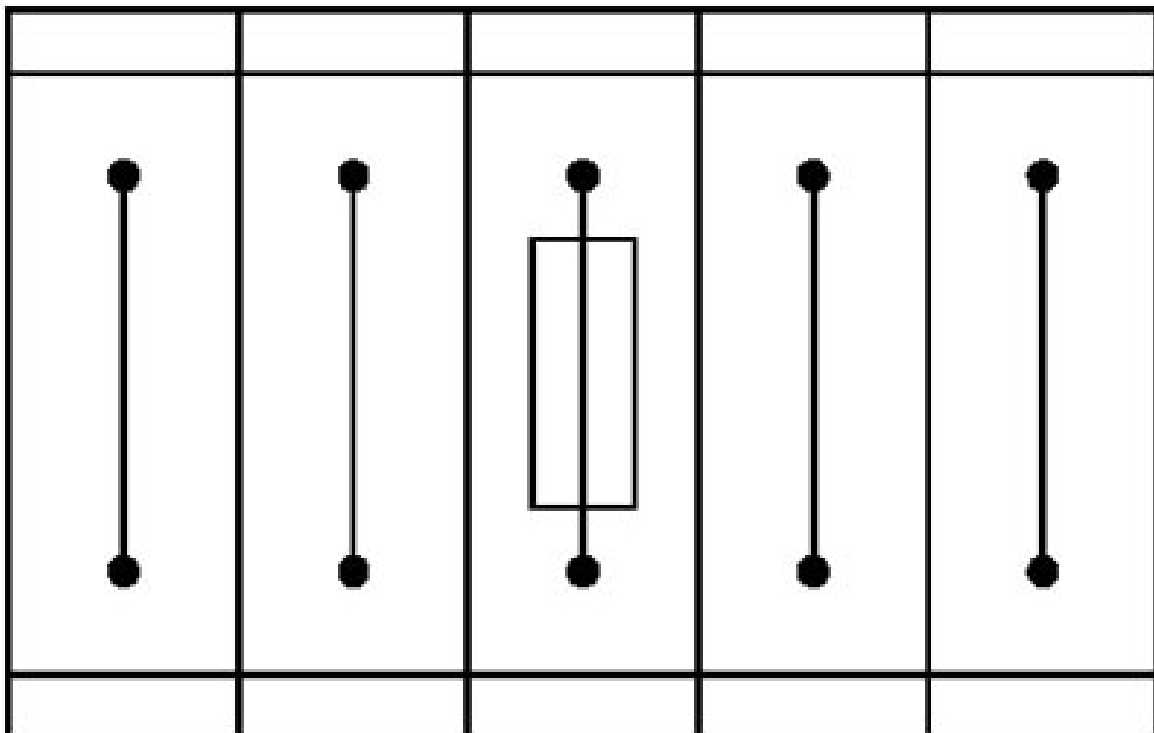


TCP 1A - Thermal device circuit breaker

0712194

<https://www.phoenixcontact.com/pc/products/0712194>

Application drawing



Fuse terminal block in single arrangement,
block consisting of one fuse terminal block and 4 feed-through terminal blocks

TCP 1A - Thermal device circuit breaker





0712194

<https://www.phoenixcontact.com/pc/products/0712194>


Approvals


To download certificates, visit the product detail page: <https://www.phoenixcontact.com/pc/products/0712194>

 CSA Approval ID: 074317	Nominal voltage U_N	Nominal current I_N	Cross section AWG	Cross section mm^2
	250 V	1 A	-	-


 cUL Recognized Approval ID: FILE E 140459

 UL Recognized Approval ID: FILE E 140459
--

 EAC Approval ID: EAC-Zulassung
--

 EAC Approval ID: RU C-DE.A*30.B01546
--

 VDE Zeichengenehmigung Approval ID: 40034332
--

 CCC Approval ID: 2019010307241945

UAE-RoHS Approval ID: 23-10-88896

cULus Recognized

TCP 1A - Thermal device circuit breaker



0712194

<https://www.phoenixcontact.com/pc/products/0712194>

Classifications

ECLASS

ECLASS-11.0	27141116
ECLASS-12.0	27141116
ECLASS-13.0	27140401

ETIM

ETIM 9.0	EC000899
----------	----------

UNSPSC

UNSPSC 21.0	39121400
-------------	----------

TCP 1A - Thermal device circuit breaker



0712194

<https://www.phoenixcontact.com/pc/products/0712194>

Environmental product compliance

EU RoHS

Fulfills EU RoHS substance requirements	Yes, No exemptions
---	--------------------

China RoHS

Environment friendly use period (EFUP)	EFUP-E
	No hazardous substances above the limits

EU REACH SVHC

REACH candidate substance (CAS No.)	No substance above 0.1 wt%
-------------------------------------	----------------------------

Phoenix Contact 2024 © - all rights reserved
<https://www.phoenixcontact.com>

PHOENIX CONTACT GmbH & Co. KG
Flachmarktstraße 8
D-32825 Blomberg
+49 (0) 5235-3 00
info@phoenixcontact.com