

TMC 1 M1 100 2,0A - Thermomagnetic device circuit breaker



0914455

<https://www.phoenixcontact.com/ca/products/0914455>

Please be informed that the data shown in this PDF document is generated from our online catalog. Please find the complete data in the user documentation. Our general terms of use for downloads are valid.



Thermal-magnetic circuit breaker, 1-pos., normal blow, 1 N/O contact, with universal foot for mounting on NS 32 or NS 35

Commercial data

Item number	0914455
Packing unit	1 pc
Minimum order quantity	1 pc
Sales key	CL34
Product key	CLA121
Catalog page	Page 282 (CL-2002)
GTIN	4017918009137
Weight per piece (including packing)	66.666 g
Weight per piece (excluding packing)	60.9 g
Customs tariff number	85362010
Country of origin	DE

TMC 1 M1 100 2,0A - Thermomagnetic device circuit breaker



0914455

<https://www.phoenixcontact.com/ca/products/0914455>

Technical data

Product properties

Product type	Thermomagnetic device circuit breakers
Product family	TMC
Type	DIN rail module, one-piece
Number of positions	1
Number of connections	4
Number of rows	2
No. of channels	1

Insulation characteristics

Overvoltage category	II
Degree of pollution	2

Electrical properties

Fuse type	Automatic device
-----------	------------------

General

Rated voltage	250 V AC
	65 V DC
Rated current I_N	2 A
Rated surge voltage	2.5 kV
Insulation resistance R_{iso}	> 100 M Ω (500 V DC)
Auxiliary circuit	240 V AC / 1 A (Low-induction)
	65 V AC / 1 A (Low-induction)
Tripping method	TM (thermomagnetic)
Device resistance	0.28 Ω
Rated short-circuit switching capacity I_{cn}	400 A
	2500 A (32 V DC)
Short-circuit switching capacity	5000 A (UL 1077: 277 V AC)
	2000 A (UL 1077: 65 V DC)
Dielectric strength	3000 V AC (Actuation area)
	3000 V AC (Main to auxiliary circuit)
Switching cycles, max.	10000 (At $1 \times I_n$, inductive)
Fuse	M1 (normal blow)

Indicator/remote signaling

Connection name	Auxiliary contact
Operating voltage	240 V AC
	65 V DC
Operating current	2 A AC (Low-induction)

Connection data

TMC 1 M1 100 2,0A - Thermomagnetic device circuit breaker



0914455

<https://www.phoenixcontact.com/ca/products/0914455>

Main contact

Screw thread	M3
Tightening torque	0.6 ... 0.8 Nm
Stripping length	12 mm
Internal cylindrical gage	A3
Conductor cross section rigid	0.2 mm ² ... 6 mm ²
Cross section AWG	24 ... 10 (converted acc. to IEC)
Conductor cross section flexible	0.2 mm ² ... 4 mm ²
Conductor cross-section flexible (ferrule without plastic sleeve)	0.25 mm ² ... 4 mm ²
Flexible conductor cross section (ferrule with plastic sleeve)	0.25 mm ² ... 2.5 mm ²
2 conductors with same cross section, solid	0.2 mm ² ... 0.75 mm ²
2 conductors with same cross section, flexible	0.2 mm ² ... 0.75 mm ²
2 conductors with same cross section, flexible, with ferrule without plastic sleeve	0.25 mm ² ... 1 mm ²
2 conductors with the same cross section, flexible, with TWIN ferrule with plastic sleeve	0.5 mm ² ... 2.5 mm ²
Nominal current	2 A
Nominal voltage	250 V AC
	65 V DC

Auxiliary contact

Screw thread	M3
Tightening torque	0.6 ... 0.8 Nm
Stripping length	12 mm
Internal cylindrical gage	A1
Conductor cross section rigid	0.2 mm ² ... 2.5 mm ²
Cross section AWG	24 ... 14 (converted acc. to IEC)
Conductor cross section flexible	0.2 mm ² ... 1.5 mm ²
Conductor cross-section flexible (ferrule without plastic sleeve)	0.25 mm ² ... 2.5 mm ²
Flexible conductor cross section (ferrule with plastic sleeve)	0.25 mm ² ... 1.5 mm ²
2 conductors with same cross section, solid	0.2 m ² ... 0.75 m ²
2 conductors with same cross section, flexible	0.2 m ² ... 0.75 mm ²
2 conductors with same cross section, flexible, with ferrule without plastic sleeve	0.25 mm ² ... 0.5 mm ²
2 conductors with the same cross section, flexible, with TWIN ferrule with plastic sleeve	0.5 mm ² ... 0.75 mm ²
Nominal current	2 A
Nominal voltage	250 V AC
	65 V DC

Main contact

Connection method	Screw connection
Screw thread	M3
Tightening torque	0.6 Nm ... 0.8 Nm
Stripping length	12 mm

TMC 1 M1 100 2,0A - Thermomagnetic device circuit breaker



0914455

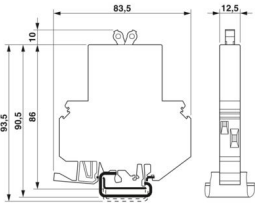
<https://www.phoenixcontact.com/ca/products/0914455>

Conductor cross section flexible	0.2 mm ² ... 4 mm ²
Conductor cross section rigid	0.2 mm ² ... 6 mm ²
Conductor cross section AWG	24 ... 10
Conductor cross section, flexible, with ferrule, with plastic sleeve	0.25 mm ² ... 2.5 mm ²
Conductor cross section flexible, with ferrule without plastic sleeve	0.25 mm ² ... 4 mm ²

Auxiliary contact

Connection method	Screw connection
Screw thread	M3
Tightening torque	0.6 Nm ... 0.8 Nm
Stripping length	12 mm
Conductor cross section flexible	0.2 mm ² ... 1.5 mm ²
Conductor cross section rigid	0.2 mm ² ... 2.5 mm ²
Conductor cross section AWG	24 ... 14
Conductor cross section, flexible, with ferrule, with plastic sleeve	0.25 mm ² ... 1.5 mm ²
Conductor cross section flexible, with ferrule without plastic sleeve	0.25 mm ² ... 2.5 mm ²

Dimensions

Dimensional drawing	
Width	12.5 mm
Height	82.5 mm
Depth	96 mm

Material specifications

Color	black (RAL 9005)
Flammability rating according to UL 94	V-2
Insulating material group	II
Insulating material	PA66

Mechanical properties

Mechanical data

Open side panel	No
-----------------	----

Environmental and real-life conditions

Ambient conditions

Degree of protection	IP30 (Actuation area)
----------------------	-----------------------

TMC 1 M1 100 2,0A - Thermomagnetic device circuit breaker



0914455

<https://www.phoenixcontact.com/ca/products/0914455>

	IP20 (Connection area)
Ambient temperature (operation)	-30 °C ... 60 °C
Humidity test	240 h, 95 % RH, 40 °C

Standards and regulations

Standards/specifications	EN 60934
Standards/specifications	UL 1077

Mounting

Mounting type	DIN rail: 35 mm
---------------	-----------------

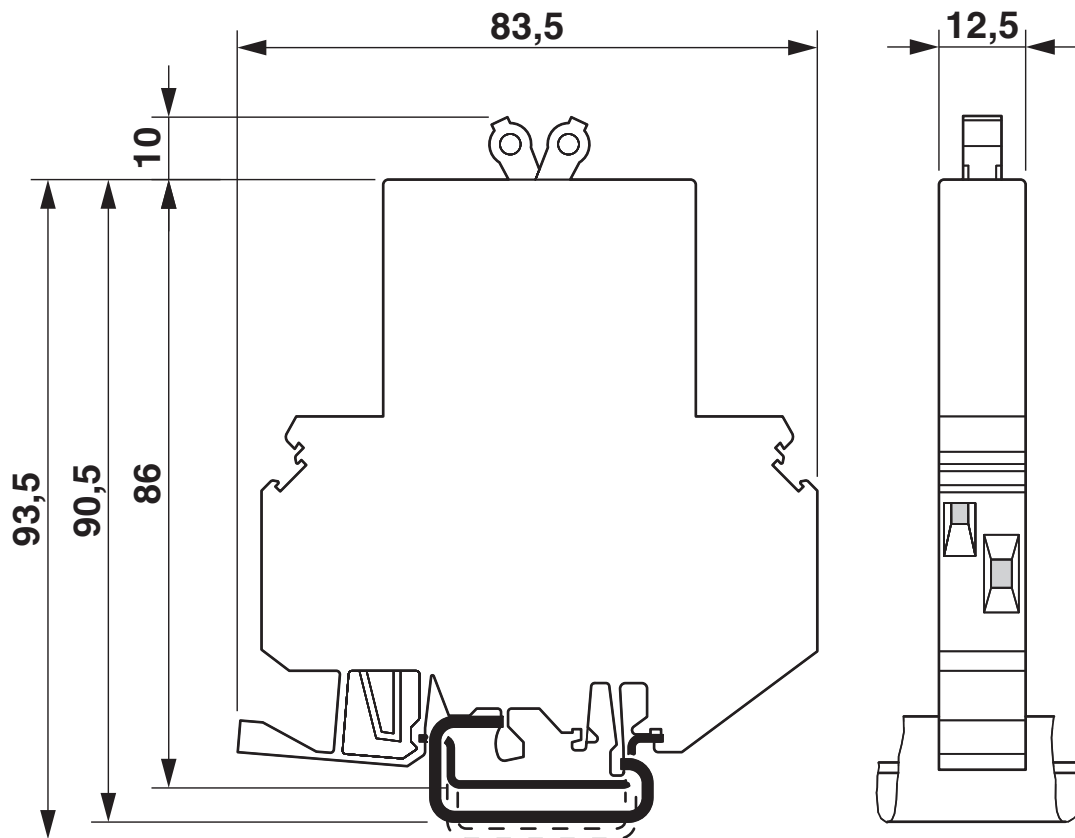
TMC 1 M1 100 2,0A - Thermomagnetic device circuit breaker

0914455

<https://www.phoenixcontact.com/ca/products/0914455>

Drawings

Dimensional drawing



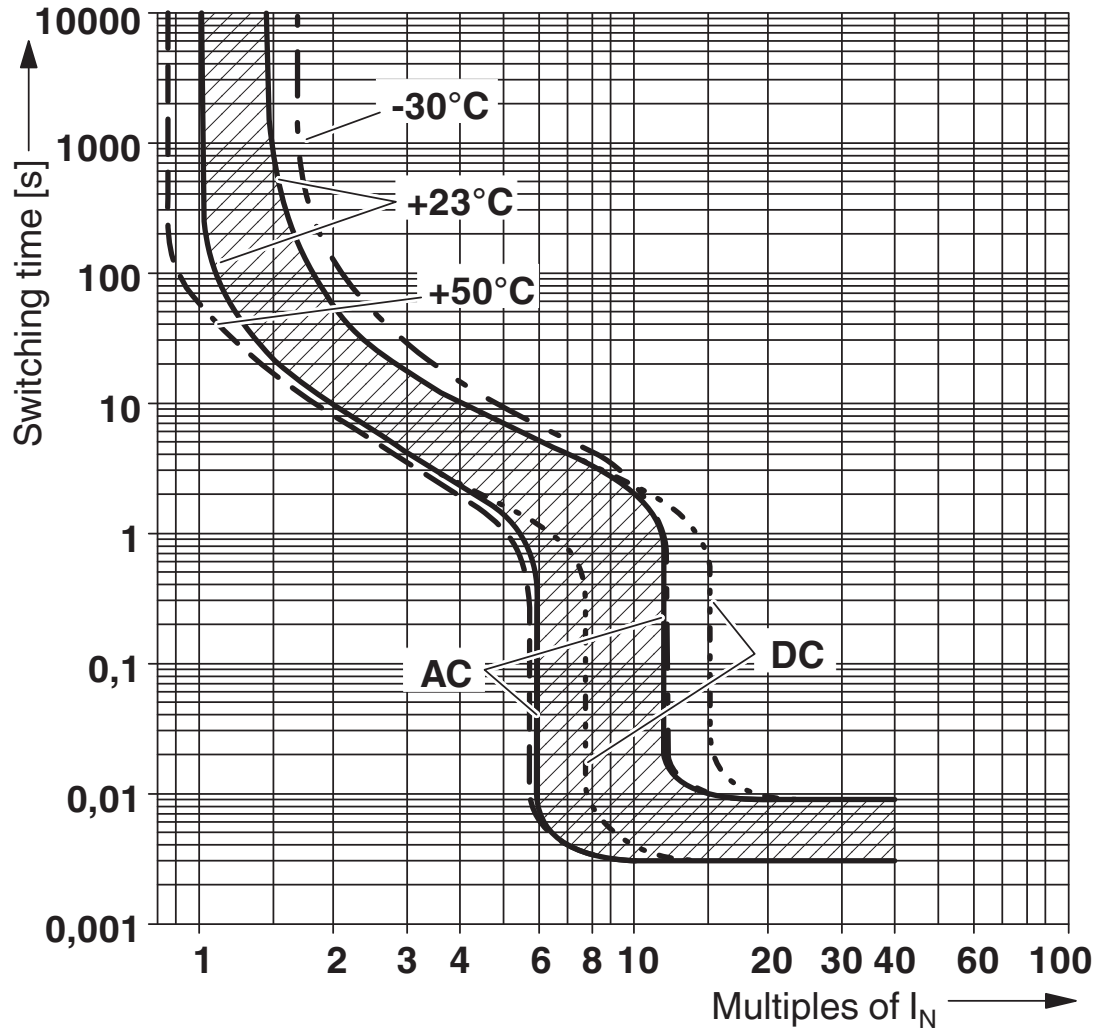
TMC 1 M1 100 2,0A - Thermomagnetic device circuit breaker



0914455

<https://www.phoenixcontact.com/ca/products/0914455>

Diagram



TMC 1 M1 100 2,0A - Thermomagnetic device circuit breaker




0914455


<https://www.phoenixcontact.com/ca/products/0914455>


Approvals

To download certificates, visit the product detail page: <https://www.phoenixcontact.com/ca/products/0914455>

 **CSA**
Approval ID: 074317

 **UL Recognized**
Approval ID: FILE E 140459

 **EAC**
Approval ID: EAC-Zulassung

 **EAC**
Approval ID: RU C-DE.A*30.B01546

 **VDE Zeichengenehmigung**
Approval ID: 40029348

UAE-RoHS
Approval ID: 23-10-88786

TMC 1 M1 100 2,0A - Thermomagnetic device circuit breaker



0914455

<https://www.phoenixcontact.com/ca/products/0914455>

Classifications

ECLASS

ECLASS-11.0	27141116
ECLASS-12.0	27141116
ECLASS-13.0	27140401

ETIM

ETIM 9.0	EC000899
----------	----------

UNSPSC

UNSPSC 21.0	39121400
-------------	----------

TMC 1 M1 100 2,0A - Thermomagnetic device circuit breaker



0914455

<https://www.phoenixcontact.com/ca/products/0914455>

Environmental product compliance

EU RoHS

Fulfills EU RoHS substance requirements	Yes
Exemption	6(c)

China RoHS

Environment friendly use period (EFUP)	EFUP-25
	An article-related China RoHS declaration table can be found in the download area for the respective article under "Manufacturer declaration". For all articles with EFUP-E, no China RoHS declaration table issued and required.

EU REACH SVHC

REACH candidate substance (CAS No.)	Lead(CAS: 7439-92-1)
SCIP	7afd4f80-90ae-45c0-947e-c0d6f12a260c

Phoenix Contact 2024 © - all rights reserved

<https://www.phoenixcontact.com>

PHOENIX CONTACT Ltd
8240 Parkhill Drive
Milton, Ontario L9T 5V7
1-800-890-2820
cdinfo@phoenixcontact.ca