

# VS-M12FSBP-OE-93E-LI/2,25 - Network cable



1402222

<https://www.phoenixcontact.com/us/products/1402222>

Please be informed that the data shown in this PDF document is generated from our online catalog. Please find the complete data in the user documentation. Our general terms of use for downloads are valid.



Assembled Ethernet cable, CAT5e, shielded, 2-pair, AWG 26 stranded (7-wire), RAL 5021 (water blue), M12 flush-type socket, rear/screw mounting with M16 thread on free conductor end, line, length 2.25 m

## Commercial data

Item number	1402222
Packing unit	1 pc
Note	Made to order (non-returnable)
Sales key	AB25
Product key	ABQYAA
GTIN	4046356588522
Weight per piece (including packing)	123.1 g
Weight per piece (excluding packing)	123.1 g
Customs tariff number	85444290
Country of origin	DE

# VS-M12FSBP-OE-93E-LI/2,25 - Network cable



1402222

<https://www.phoenixcontact.com/us/products/1402222>

## Technical data

### Product properties

Number of positions	4
No. of cable outlets	1
Cable outlet	straight

### Insulation characteristics

Overvoltage category	II
Degree of pollution	3

### Electrical properties


Contact resistance	$\leq 3 \text{ m}\Omega$
Insulation resistance	$\geq 100 \text{ M}\Omega$
Nominal voltage $U_N$	250 V
Nominal current $I_N$	4 A (Plug/socket in accordance with IEC 61076-2-101, cable technical data is to be observed)
Transmission characteristics (category)	CAT5 (IEC 11801:2002)

### Material specifications

Flammability rating according to UL 94	V0
Contact material	CuZn
Contact surface material	Ni/Au
Contact carrier material	PA 6.6

### Cable/line

Ethernet flexible CAT5, 2-pair [93E]

Dimensional drawing	
Shielded	yes
UL AWM Style	20963 (80°C/30 V)
Cable weight	42 kg/km
Cable type	Ethernet flexible CAT5, 2-pair
Short symbol	02YS(ST)C11Y
Cable type (abbreviation)	93E
Signal type/category	Ethernet CAT5 (IEC 11801), 100 Mbps
Cable structure	2x2xAWG26/7, SF/UTP
External cable diameter	6.40 mm $\pm$ 0.2 mm

# VS-M12FSBP-OE-93E-LI/2,25 - Network cable



1402222

<https://www.phoenixcontact.com/us/products/1402222>

Outer sheath, material	PUR
External sheath, color	water blue RAL 5021
Thickness, outer sheath	1.20 mm
Conductor material	Bare Cu litz wires
Conductor structure signal line	7x 0.16 mm
AWG signal line	26
Conductor cross section	2x 2x 0.14 mm <sup>2</sup>
Material wire insulation	Foamed PE
Wire diameter incl. insulation	0.98 mm
Single wire, color	white/orange-orange, white/green-green
Twisted pairs	2 cores to the pair
Overall twist	Two pairs with two fillers to the core
Shielding	Aluminum-coated foil, tinned copper braided shield
Optical shield covering	70 %
Current carrying capacity of cable	2.00 A (according to DIN VDE 0891-1)
Nominal voltage, cable	≤ 100 V (Peak value, not for high-power applications)
Test voltage Core/Core	700 V (50 Hz, 1 min.)
Test voltage Core/Shield	700.00 V (50 Hz, 1 min.)
Cable insulation resistance	≥ 500 MΩ*km
Coupling resistance	≤ 100.00 mΩ/m (at 10 MHz)
Wave impedance	100 Ω ±5 Ω (at 100 MHz)
Loop resistance	≤ 290.00 Ω/km
Cable capacity	approx. 45 nF/km (at 1 kHz)
Signal runtime	5.3 ns/m
Tensile strength	≤ 80 N
Minimum bending radius, fixed installation	4 x D
Minimum bending radius, flexible installation	8 x D
Near end crosstalk attenuation (NEXT)	65.3 dB (with 1 MHz)
	56.3 dB (at 4 MHz)
	50.3 dB (at 10 MHz)
	47.2 dB (at 16 MHz)
	45.8 dB (at 20 MHz)
	42.9 dB (at 31.25 MHz)
	38.4 dB (at 62.5 MHz)
	35.3 dB (at 100 MHz)
Power-summated near end crosstalk attenuation (PSNEXT)	62.3 dB (with 1 MHz)
	53.3 dB (at 4 MHz)
	47.3 dB (at 10 MHz)
	44.2 dB (at 16 MHz)
	42.8 dB (at 20 MHz)
	39.9 dB (at 31.25 MHz)
	35.4 dB (at 62.5 MHz)
	32.3 dB (at 100 MHz)
23 dB (at 4 MHz)	

# VS-M12FSBP-OE-93E-LI/2,25 - Network cable



1402222

<https://www.phoenixcontact.com/us/products/1402222>

Return attenuation (RL)	24.1 dB (at 8 MHz)
	25 dB (at 10 MHz)
	25 dB (at 16 MHz)
	25 dB (at 20 MHz)
	23.6 dB (at 31.25 MHz)
	21.5 dB (at 62.5 MHz)
	20.1 dB (at 100 MHz)
Halogen-free	according to IEC 60754-1
Resistance to oil	in accordance with EN 60811-2-1
Flame resistance	according to IEC 60332-1-2
	in acc. to UL VW1
	in accordance with UN ECE-R 118.03
Ambient temperature (operation)	-20 °C ... 80 °C (Cable, flexible installation)
	-40 °C ... 80 °C (cable, fixed installation)

## Mechanical properties

### Mechanical data

Insertion/withdrawal cycles	≥ 100
-----------------------------	-------

## Environmental and real-life conditions

### Ambient conditions

Degree of protection	IP67 (When plugged in)
	IP65 (When plugged in)
	IP65/IP67
Ambient temperature (operation)	-25 °C ... 60 °C (cable, fixed installation)
	-5 °C ... 60 °C (Cable, flexible installation)
	-25 °C ... 90 °C

# VS-M12FSBP-OE-93E-LI/2,25 - Network cable

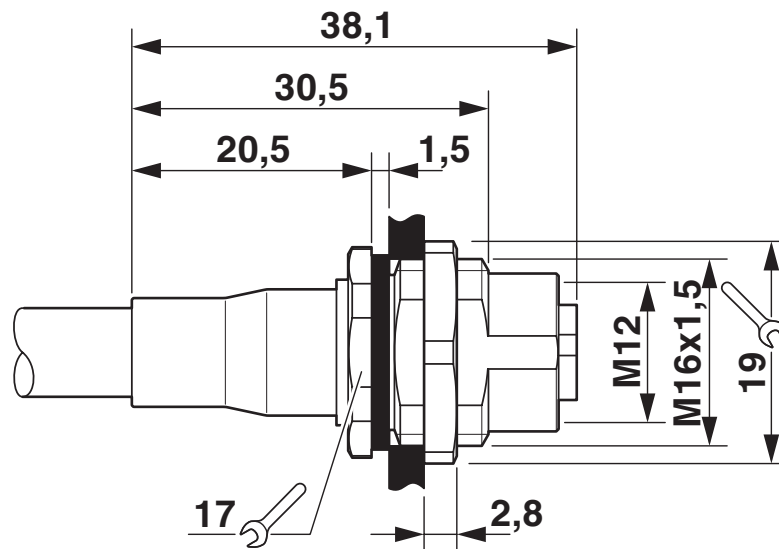


1402222

<https://www.phoenixcontact.com/us/products/1402222>

## Drawings

Dimensional drawing



M12 flush-type connector

Phoenix Contact 2024 © - all rights reserved  
<https://www.phoenixcontact.com>

Phoenix Contact USA  
586 Fulling Mill Road  
Middletown, PA 17057, United States  
(+717) 944-1300  
[info@phoenixcon.com](mailto:info@phoenixcon.com)