

# SAC-3P-10,0-PVC/M 8FR - Sensor/actuator cable



1403773

<https://www.phoenixcontact.com/pc/products/1403773>

Please be informed that the data shown in this PDF document is generated from our online catalog. Please find the complete data in the user documentation. Our general terms of use for downloads are valid.



Sensor/actuator cable, 3-position, PVC, black RAL 9005, free cable end, on Socket angled M8, coding: A, cable length: 10 m

## Your advantages

- Easy and safe: 100 % electrically tested plug-in components

## Commercial data

Item number	1403773
Packing unit	1 pc
Minimum order quantity	1 pc
Product key	BF1BBA
Catalog page	Page 190 (C-2-2019)
GTIN	4046356667173
Weight per piece (including packing)	252.6 g
Weight per piece (excluding packing)	217.8 g
Customs tariff number	85444290
Country of origin	DE

# SAC-3P-10,0-PVC/M 8FR - Sensor/actuator cable



1403773

<https://www.phoenixcontact.com/pc/products/1403773>

## Technical data

### Product properties

Product type	Sensor/actuator cable
Application	Standard
Number of positions	3
No. of cable outlets	1
Shielded	no
Coding	A

### Insulation characteristics

Overvoltage category	II
Degree of pollution	3

### Material specifications

Flammability rating according to UL 94	HB
Seal material	NBR
Material of grip body	TPU, hardly inflammable, self-extinguishing
Contact material	CuSn
Contact surface material	Ni/Au
Contact carrier material	TPU GF
Material for screw connection	Zinc die-cast, nickel-plated

### Electrical properties

Insulation resistance	$\geq 100 \text{ M}\Omega$
Nominal voltage $U_N$	48 V AC
	60 V DC
Nominal current $I_N$	4 A

### Mechanical properties

#### Mechanical data

Insertion/withdrawal cycles	$\geq 100$
-----------------------------	------------

### Signaling

Status display	no
Status display present	No

### Connector

#### Connection 1

Type	free cable end
------	----------------

#### Connection 2

Type	Socket angled M8
Number of positions	3

# SAC-3P-10,0-PVC/M 8FR - Sensor/actuator cable



1403773

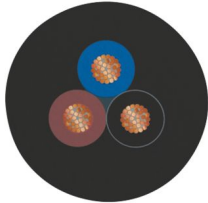
<https://www.phoenixcontact.com/pc/products/1403773>

Coding type	A
-------------	---

## Cable/line

Cable length	10 m
--------------	------

## PVC black [PVC]

Dimensional drawing	
Cable weight	29 kg/km
Number of positions	3
Shielded	no
Cable type	PVC black [PVC]
Conductor structure signal line	14x 0.15 mm
AWG signal line	24
Conductor cross section	3x 0.25 mm <sup>2</sup> (Signal line)
Wire diameter incl. insulation	1.17 mm ±0.05 mm
External cable diameter	4.20 mm ±0.15 mm
Outer sheath, material	PVC
External sheath, color	black RAL 9005
Conductor material	Bare Cu litz wires
Material wire insulation	PVC
Single wire, color	brown, blue, black
Thickness, insulation	≥ 0.23 mm (Core insulation)
Thickness, outer sheath	≥ 0.76 mm
Overall twist	3 wires, twisted
Max. conductor resistance	max. 79 Ω/km (at 20 °C)
Insulation resistance	≥ 100 MΩ*km (at 20 °C)
Nominal voltage, cable	≥ 300 V
Test voltage	≤ 3000 V
Smallest bending radius, fixed installation	13 mm
Flame resistance	As per UL-Style 2464
Resistance to oil	EN 60811-2-1
Ambient temperature (operation)	-25 °C ... 80 °C (cable, fixed installation) -10 °C ... 80 °C (Cable, flexible installation)

## Environmental and real-life conditions

Ambient conditions	IP65
--------------------	------

# SAC-3P-10,0-PVC/M 8FR - Sensor/actuator cable



1403773

<https://www.phoenixcontact.com/pc/products/1403773>

Degree of protection	IP67
	IP68
Ambient temperature (operation)	-25 °C ... 90 °C (Plug / socket)

## Standards and regulations

M8

Standard designation	M8 connector
Standards/specifications	IEC 61076-2-104

# SAC-3P-10,0-PVC/M 8FR - Sensor/actuator cable

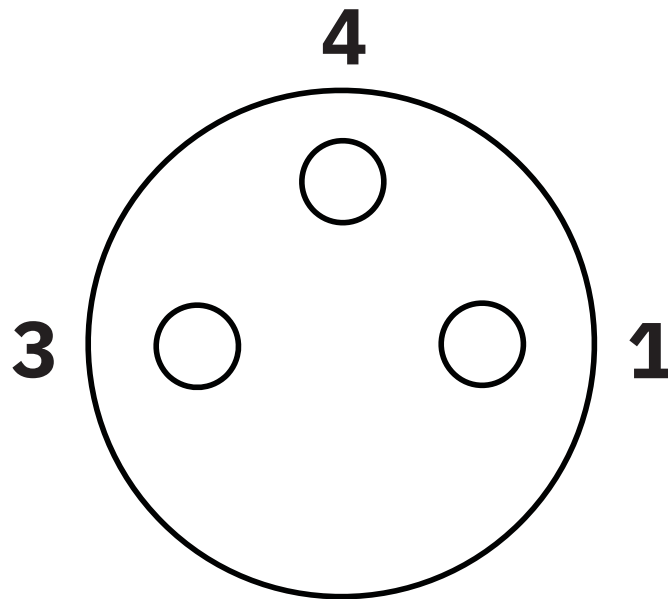
1403773

<https://www.phoenixcontact.com/pc/products/1403773>



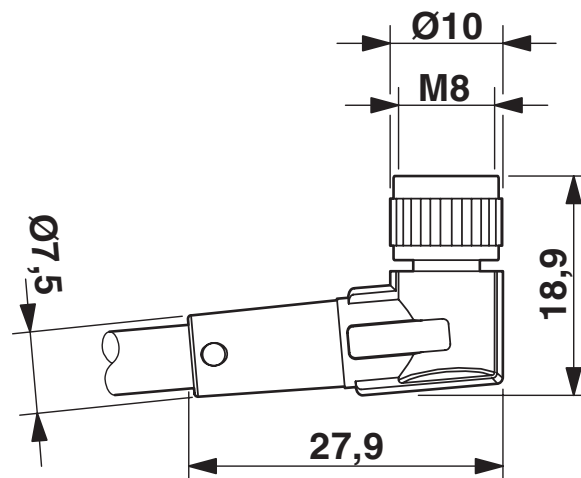
## Drawings

Schematic diagram



Pin assignment M8 socket, 3-pos., view female side

Dimensional drawing



Socket M8 x 1, angled

# SAC-3P-10,0-PVC/M 8FR - Sensor/actuator cable



1403773

<https://www.phoenixcontact.com/pc/products/1403773>

Circuit diagram



# SAC-3P-10,0-PVC/M 8FR - Sensor/actuator cable




1403773

<https://www.phoenixcontact.com/pc/products/1403773>

## Approvals

To download certificates, visit the product detail page: <https://www.phoenixcontact.com/pc/products/1403773>

 <b>UL Listed</b> Approval ID: FILE E 221474	Nominal voltage $U_N$	Nominal current $I_N$	Cross section AWG	Cross section $\text{mm}^2$
	60 V	4 A	-	-

 <b>cUL Listed</b> Approval ID: FILE E 221474	Nominal voltage $U_N$	Nominal current $I_N$	Cross section AWG	Cross section $\text{mm}^2$
	60 V	4 A	-	-

 <b>EAC-RoHS</b> Approval ID: RU D-DE.HB35.B.00387
---

<b>cULus Listed</b>
---------------------

# SAC-3P-10,0-PVC/M 8FR - Sensor/actuator cable



1403773

<https://www.phoenixcontact.com/pc/products/1403773>

## Classifications

### ECLASS

ECLASS-11.0	27060311
ECLASS-12.0	27060311
ECLASS-13.0	27060311

### ETIM

ETIM 9.0	EC001855
----------	----------

### UNSPSC

UNSPSC 21.0	26121600
-------------	----------

# SAC-3P-10,0-PVC/M 8FR - Sensor/actuator cable



1403773

<https://www.phoenixcontact.com/pc/products/1403773>

## Environmental product compliance

### EU RoHS

Fulfills EU RoHS substance requirements	Yes, No exemptions
---	--------------------

### China RoHS

Environment friendly use period (EFUP)	EFUP-E
	No hazardous substances above the limits

### EU REACH SVHC

REACH candidate substance (CAS No.)	No substance above 0.1 wt%
-------------------------------------	----------------------------

Phoenix Contact 2024 © - all rights reserved  
<https://www.phoenixcontact.com>

PHOENIX CONTACT GmbH & Co. KG  
Flachmarktstraße 8  
D-32825 Blomberg  
+49 (0) 5235-3 00  
[info@phoenixcontact.com](mailto:info@phoenixcontact.com)