

QPD C 4PE2,5 2X6-11 BK - Conductor connector



1403838

<https://www.phoenixcontact.com/us/products/1403838>

Please be informed that the data shown in this PDF document is generated from our online catalog. Please find the complete data in the user documentation. Our general terms of use for downloads are valid.



QUICKON cable connector, black, 4+PE-pos., 1.0 mm² ... 2.5 mm² / 690 V / 20 A, for 6 mm ... 11 mm cable diameter.

Your advantages

- Innovative and time saving - QUICKON fast connection for time saving of up to 80 % for on-site connection
- Robust throughout: housing with IP68/IP69K and IK07 protection for a wide range of applications
- Safer connection with mechanical coding to protect against mismatching, and touch-proof protection in accordance with DIN EN 0105
- Easy and safe - with the cable connector, you can repair or extend cables quickly, in combination with the connector as well as the coupling connection

Commercial data

Item number	1403838
Packing unit	1 pc
Minimum order quantity	1 pc
Sales key	BF50
Product key	BF6CCB
Catalog page	Page 483 (C-2-2019)
GTIN	4046356670340
Weight per piece (including packing)	93.6 g
Weight per piece (excluding packing)	92.585 g
Customs tariff number	85366990
Country of origin	PL

QPD C 4PE2,5 2X6-11 BK - Conductor connector



1403838

<https://www.phoenixcontact.com/us/products/1403838>

Technical data

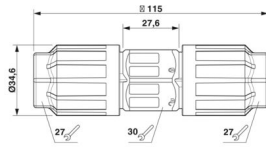
Product properties

Product type	Cable connector
Product family	QPD
Type	QPD 5x2,5
Number of positions	5
Connection profile	4+PE
Position marking	1, 2, 3, N, PE
Number of connections per position	1
Coding	Coding profile

Insulation characteristics

Overvoltage category	III
Degree of pollution	3

Dimensions

Dimensional drawing	
Width	34.6 mm
Height	34.6 mm
Length	115 mm
Diameter	34.6 mm
Wrench size	27 mm
Wrench size for mounting	27 mm

Connection data

Connection technology

Frequency of connections between conductors of the same cross section	max. 10
---	---------

Conductor connection

Tightening torque	10 Nm
	5 Nm
Tightening torque Union nut	10 Nm
Tightening torque Locking nut	5 Nm
Wrench size Union nut	27 mm

Electrical properties

Rated surge voltage (II/2)	8 kV
Rated surge voltage (III/2)	8 kV

QPD C 4PE2,5 2X6-11 BK - Conductor connector



1403838

<https://www.phoenixcontact.com/us/products/1403838>

Rated surge voltage (III/3)	6 kV
Rated current	20 A
Contact resistance	< 3 mΩ
rated voltage (II/2)	1000 V
rated voltage (III/2)	1000 V
Rated voltage (III/3)	690 V
Nominal voltage U_N	690 V AC
	690 V DC
Nominal current I_N	20 A

Mechanical properties

Mechanical data

Insertion/withdrawal cycles	max. 50
-----------------------------	---------

Material specifications

Color	black (RAL 9005)
Material Housing	PA
Material Contact	Cu
Material Contact surface	Silver-plated
Flammability rating according to UL 94	V0
Material wire insulation	PVC/PE/TPE/rubber

Cable/line

Structure of individual litz in acc. with VDE 0295 / smallest wire diameter	VDE 0295 class 1 to 6/min. 0.15 mm
External cable diameter	6 mm ... 11 mm
Wire diameter including insulation	2 mm ... 3.8 mm
Position marking	1, 2, 3, N, PE
Material wire insulation	PVC/PE/TPE/rubber
Halogen-free	yes

Environmental and real-life conditions

Ambient conditions

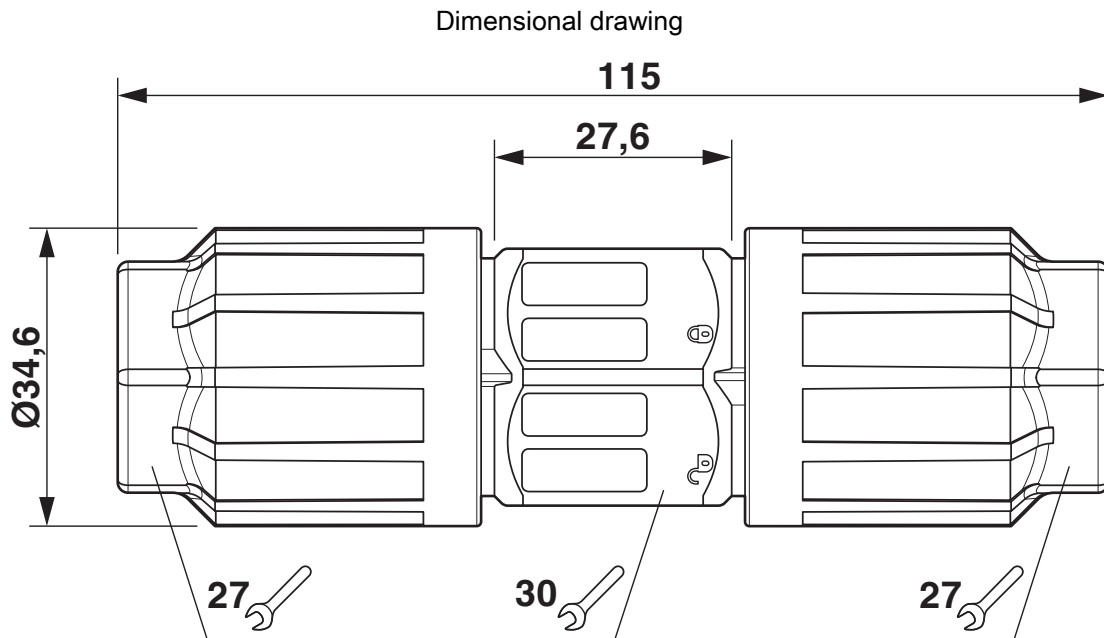
Degree of protection	IP66
	IP68 (2 m / 24 h)
	IP69K
Ambient temperature (operation)	-40 °C ... 100 °C
Temperature when conductor connected	-5 °C ... 50 °C
Ambient temperature (storage/transport)	-40 °C ... 100 °C

QPD C 4PE2,5 2X6-11 BK - Conductor connector

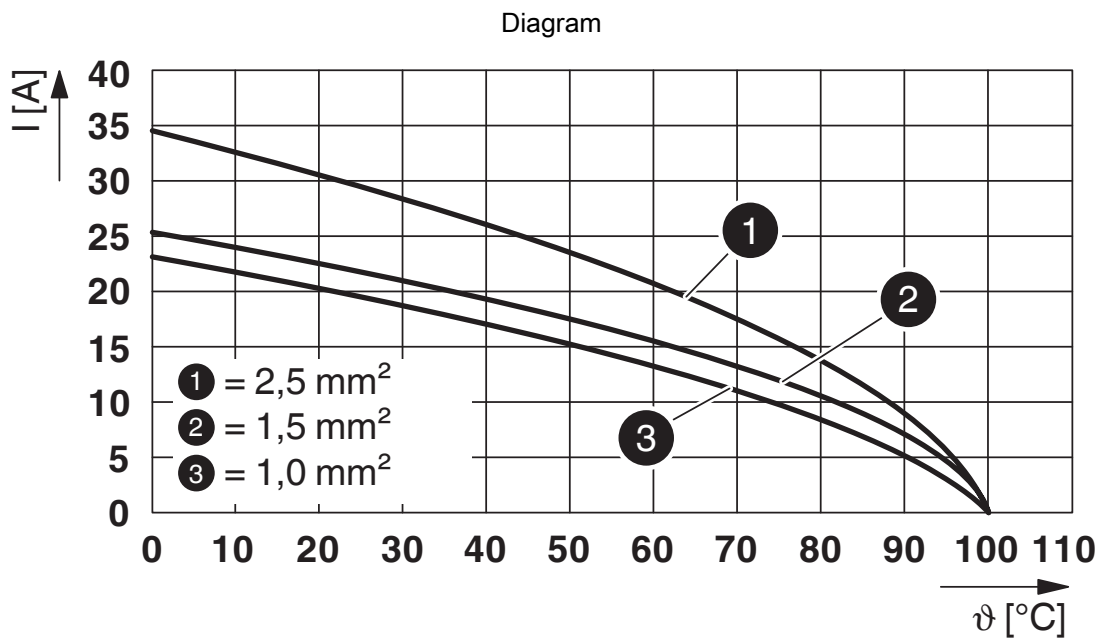
1403838

<https://www.phoenixcontact.com/us/products/1403838>

Drawings



QPD C 5x2.5 dimensional drawing



Derating diagram

QPD C 4PE2,5 2X6-11 BK - Conductor connector



1403838

<https://www.phoenixcontact.com/us/products/1403838>

Approvals

To download certificates, visit the product detail page: <https://www.phoenixcontact.com/us/products/1403838>



IECEE CB Scheme

Approval ID: DE1-65875



EAC

Approval ID: RU C-DE.BL08.B.00511



DNV GL

Approval ID: TAE00003J5



VDE Zeichengenehmigung

Approval ID: 40029149



UL Listed

Approval ID: E468743

Nominal voltage U_N	Nominal current I_N	Cross section AWG	Cross section mm^2
600 V	10 A	-	- 14



cUL Listed

Approval ID: E468743

Nominal voltage U_N	Nominal current I_N	Cross section AWG	Cross section mm^2
600 V	10 A	- 14	-

cULus Listed

QPD C 4PE2,5 2X6-11 BK - Conductor connector



1403838

<https://www.phoenixcontact.com/us/products/1403838>

Classifications

ECLASS

ECLASS-11.0	27440605
ECLASS-12.0	27440605
ECLASS-13.0	27440605

ETIM

ETIM 9.0	EC002560
----------	----------

UNSPSC

UNSPSC 21.0	39121400
-------------	----------

QPD C 4PE2,5 2X6-11 BK - Conductor connector



1403838

<https://www.phoenixcontact.com/us/products/1403838>

Environmental product compliance

EU RoHS

Fulfills EU RoHS substance requirements	Yes, No exemptions
---	--------------------

China RoHS

Environment friendly use period (EFUP)	EFUP-E
	No hazardous substances above the limits

EU REACH SVHC

REACH candidate substance (CAS No.)	No substance above 0.1 wt%
-------------------------------------	----------------------------

QPD C 4PE2,5 2X6-11 BK - Conductor connector



1403838

<https://www.phoenixcontact.com/us/products/1403838>

Accessories

CP-QPD 5X2,5 - Coding profile

1404530

<https://www.phoenixcontact.com/us/products/1404530>



Coding profile, red, for insertion into the 5-pos. QUICKON dome and connector, can be positioned in 72° increments.

QPD QSK 5X2,5 - Protective cap

1404528

<https://www.phoenixcontact.com/us/products/1404528>



Protective cap, transparent plastic, for 5x 2.5 mm² QPD QUICKON connection, IP50.

QPD C 4PE2,5 2X6-11 BK - Conductor connector

1403838

<https://www.phoenixcontact.com/us/products/1403838>



QPD QSK BK 5X2,5 FS - Protective cap

1404525

<https://www.phoenixcontact.com/us/products/1404525>

Protective cap, plastic, for QUICKON connection, black, with retaining cord, IP68



SEALING PLUG 10X16 RD - Closing cap

1400284

<https://www.phoenixcontact.com/us/products/1400284>

Closing cap, for threads pluggable, color: red



QPD C 4PE2,5 2X6-11 BK - Conductor connector

1403838

<https://www.phoenixcontact.com/us/products/1403838>



QPD W 4PE2,5 6-11 M20 0,5 BK - Panel feed-through

1403725

<https://www.phoenixcontact.com/us/products/1403725>



Panel feed-through, product family: QPD, connection method: Single wires (Welded-on)/ IDC connection, number of positions: 4+PE, M20, Pin, 1 mm² ... 2.5 mm², 690 V, 20 A, PA, black, with QUICKON nut, coding: coded, external cable diameter: 6 mm ... 11 mm, 2.5 mm², wires cut flat at the end, cable length: 0.5 m

QPD W 4PE2,5 6-11 M20 1,0 BK - Panel feed-through

1403727

<https://www.phoenixcontact.com/us/products/1403727>



Panel feed-through, product family: QPD, connection method: Single wires (Welded-on)/ IDC connection, number of positions: 4+PE, M20, Pin, 1 mm² ... 2.5 mm², 690 V, 20 A, PA, black, with QUICKON nut, coding: coded, external cable diameter: 6 mm ... 11 mm, 2.5 mm², wires cut flat at the end, cable length: 1 m

QPD C 4PE2,5 2X6-11 BK - Conductor connector

1403838

<https://www.phoenixcontact.com/us/products/1403838>



QPD W 4PE2,5 6-11 M20 FC BK - Panel feed-through

1403729

<https://www.phoenixcontact.com/us/products/1403729>



Panel feed-through, product family: QPD, connection method: Spade connection (For slip-on sleeves according to DIN 46247-2)/ IDC connection, number of positions: 4+PE, M20, Pin, 1 mm² ... 2.5 mm², 690 V, 15 A, PA, black, with QUICKON nut, coding: coded, external cable diameter: 6 mm ... 11 mm

QPD W 4PE2,5 6-11 M25 0,5 BK - Panel feed-through

1582557

<https://www.phoenixcontact.com/us/products/1582557>



Panel feed-through, product family: QPD, connection method: Single wires (Welded-on), number of positions: 4+PE, M25, Pin, 1 mm² ... 2.5 mm², 690 V, 20 A, PA, black, with QUICKON nut, coding: coded, external cable diameter: 6 mm . .. 11 mm, 2.5 mm², wires cut flat at the end, cable length: 0.5 m

QPD C 4PE2,5 2X6-11 BK - Conductor connector

1403838

<https://www.phoenixcontact.com/us/products/1403838>



QPD W 4PE2,5 6-11 M25 FC BK - Panel feed-through

1582559

<https://www.phoenixcontact.com/us/products/1582559>



QUICKON panel feed-through, black, 4+PE-pos. 1.0 mm² ... 2.5 mm²/690 V/20 A, with QUICKON nut, for 6 mm ... 11 mm cable diameter, M25 connection thread with 5 slip-on contacts for slip-on sleeves according to DIN 46247-2

QPD W 4PE2,5 6-11 M25 DT BK - Panel feed-through

1411432

<https://www.phoenixcontact.com/us/products/1411432>



Panel feed-through, product family: QPD, connection method: Push-in connection/ IDC connection, number of positions: 4+PE, M25, Pin, 1 mm² ... 2.5 mm², 690 V, 20 A, PA, black, with QUICKON nut, coding: coded, external cable diameter: 6 mm ... 11 mm

QPD C 4PE2,5 2X6-11 BK - Conductor connector

1403838

<https://www.phoenixcontact.com/us/products/1403838>



QPD C 4PE2,5 1X6-11 BK - Conductor connector

1403834

<https://www.phoenixcontact.com/us/products/1403834>



QUICKON cable connector, black, 4+PE-pos., 1.0 mm² ... 2.5 mm² / 690 V / 20 A, for 6 mm ... 11 mm cable diameter.

QPD T 4PE 2X6-11 BK - T distributor

1405403

<https://www.phoenixcontact.com/us/products/1405403>



QUICKON T-distributor, black, 4+PE-pos., 1.0 mm² ... 2.5 mm²/690 V/20 A, for cable diameter of 6 mm ... 11 mm, with two QUICKON nuts

QPD C 4PE2,5 2X6-11 BK - Conductor connector

1403838

<https://www.phoenixcontact.com/us/products/1403838>



QPD T 4PE 3X6-11 BK - T distributor

1405401

<https://www.phoenixcontact.com/us/products/1405401>



T distributor, product family: QPD, connection method: IDC connection, number of positions: 4+PE, 1 mm² ... 2.5 mm², 690 V, 20 A, PA, black, With three QUICKON nuts, coding: Coding profile, external cable diameter: 6 mm ... 11 mm

QPD H 4PE2,5 4X6-11 BK - H distributor

1406368

<https://www.phoenixcontact.com/us/products/1406368>



QUICKON H-distributor, black, 4 pos. +PE, 1.0 mm² ... 2.5 mm² / 690 V / 20 A, for cable diameters of 6 mm ... 11 mm, with a sealing bolt.

QPD C 4PE2,5 2X6-11 BK - Conductor connector

1403838

<https://www.phoenixcontact.com/us/products/1403838>



QPD N 4PE2,5 6-11 BK - Nut

1459663

<https://www.phoenixcontact.com/us/products/1459663>



QUICKON nut, black, 4+PE-pos., 1.0 mm² ... 2.5 mm²/690 V/20 A, for cables with 6 mm ... 11 mm diameter.

QPD P 4PE2,5 6-11 BK - Connector

1403784

<https://www.phoenixcontact.com/us/products/1403784>



Connector, product family: QPD, connection method: IDC connection, number of positions: 4+PE, 1 mm² ... 2.5 mm², 690 V, 20 A, PA, black, external cable diameter: 6 mm ... 11 mm

QPD C 4PE2,5 2X6-11 BK - Conductor connector

1403838

<https://www.phoenixcontact.com/us/products/1403838>



QPD P 4PE2,5 6-11 TL BK - Connector

1039563

<https://www.phoenixcontact.com/us/products/1039563>



Connector, product family: QPD, connection method: IDC connection, number of positions: 4+PE, 1 mm² ... 2.5 mm², 690 V, 20 A, PA, black, with QUICKON nut, external cable diameter: 6 mm ... 11 mm

QSS 27 - Socket wrench

1670646

<https://www.phoenixcontact.com/us/products/1670646>



Allen wrench, for loosening and fastening the QUICKON union nut, WAF 27 mm

Phoenix Contact 2024 © - all rights reserved
<https://www.phoenixcontact.com>

Phoenix Contact USA
586 Fulling Mill Road
Middletown, PA 17057, United States
(+717) 944-1300
info@phoenixcon.com