

QPD T 4PE 3X6-11 BK - T distributor



1405401

<https://www.phoenixcontact.com/us/products/1405401>

Please be informed that the data shown in this PDF document is generated from our online catalog. Please find the complete data in the user documentation. Our general terms of use for downloads are valid.



T distributor, product family: QPD, connection method: IDC connection, number of positions: 4+PE, 1 mm² ... 2.5 mm², 690 V, 20 A, PA, black, With three QUICKON nuts, coding: Coding profile, external cable diameter: 6 mm ... 11 mm

Your advantages

- Innovative and time saving - QUICKON fast connection for time saving of up to 80 % for on-site connection
- Robust throughout: housing with IP68/IP69K and IK07 protection for a wide range of applications
- Safer connection with mechanical coding to protect against mismatching, and touch-proof protection in accordance with DIN EN 0105
- Flexible and compact - by connecting connections internally, H and T-distributors can be used to branch master cables or they can be used as star distributors

Commercial data

Item number	1405401
Packing unit	1 pc
Minimum order quantity	1 pc
Sales key	BF50
Product key	BF6DCB
Catalog page	Page 482 (C-2-2019)
GTIN	4046356776080
Weight per piece (including packing)	248 g
Weight per piece (excluding packing)	245 g
Customs tariff number	85366990
Country of origin	PL

QPD T 4PE 3X6-11 BK - T distributor



1405401

<https://www.phoenixcontact.com/us/products/1405401>

Technical data

Mounting

Mounting type	direct screw connection
---------------	-------------------------

Product properties

Product type	Power distributor
Product family	QPD
Type	T distributor
Number of positions	5
Connection profile	4+PE
Position marking	1, 2, 3, N, PE
Number of connections	3
No. of cable outlets	3
Coding	Coding profile

Insulation characteristics

Overvoltage category	III
Degree of pollution	3

Connection data

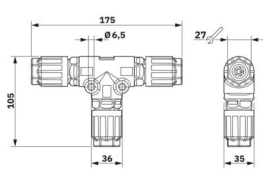
Connection technology

Connection method	IDC connection
Frequency of connections between conductors of the same cross section	max. 10

Conductor connection

Conductor cross section flexibel	1 mm ² ... 2.5 mm ²
Conductor cross section solid	1 mm ² ... 2.5 mm ²
Connection cross section AWG	16 ... 14
Tightening torque Union nut	10 Nm
Wrench size Union nut	27 mm

Dimensions

Dimensional drawing	
Width	105 mm
Height	35 mm
Length	175 mm
Wrench size	27 mm

QPD T 4PE 3X6-11 BK - T distributor



1405401

<https://www.phoenixcontact.com/us/products/1405401>

Wrench size for mounting	27 mm
--------------------------	-------

Electrical properties

Rated surge voltage (II/2)	8 kV
Rated surge voltage (III/2)	8 kV
Rated surge voltage (III/3)	6 kV
Rated current	20 A
Contact resistance	< 3 mΩ
rated voltage (II/2)	1000 V
rated voltage (III/2)	1000 V
Rated voltage (III/3)	690 V
Nominal voltage U_N	690 V AC 690 V DC
Nominal current I_N	20 A

Mechanical properties

Mechanical data

Insertion/withdrawal cycles	max. 50 (QUICKON connections max. 10)
-----------------------------	---------------------------------------

Material specifications

Color	black (RAL 9005)
Material Housing	PA
Material Contact	Cu
Material Contact surface	Silver-plated
Flammability rating according to UL 94	V0
Material wire insulation	PVC/PE/TPE/rubber

Cable/line

Structure of individual litz in acc. with VDE 0295 / smallest wire diameter	VDE 0295 class 1 to 6/min. 0.15 mm
External cable diameter	6 mm ... 11 mm
Wire diameter including insulation	2 mm ... 3.8 mm
Position marking	1, 2, 3, N, PE
Material wire insulation	PVC/PE/TPE/rubber

Environmental and real-life conditions

Ambient conditions

Degree of protection	IP66 IP68 (2 m / 24 h) IP69K
Ambient temperature (operation)	-40 °C ... 100 °C
Temperature when conductor connected	-5 °C ... 50 °C
Ambient temperature (storage/transport)	-40 °C ... 100 °C

QPD T 4PE 3X6-11 BK - T distributor

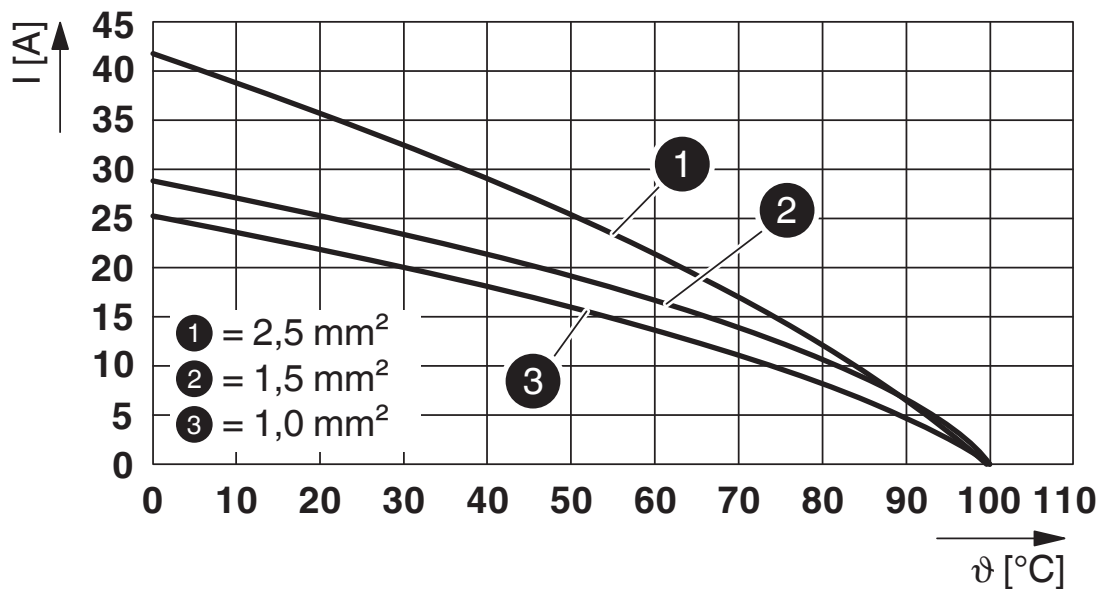


1405401

<https://www.phoenixcontact.com/us/products/1405401>

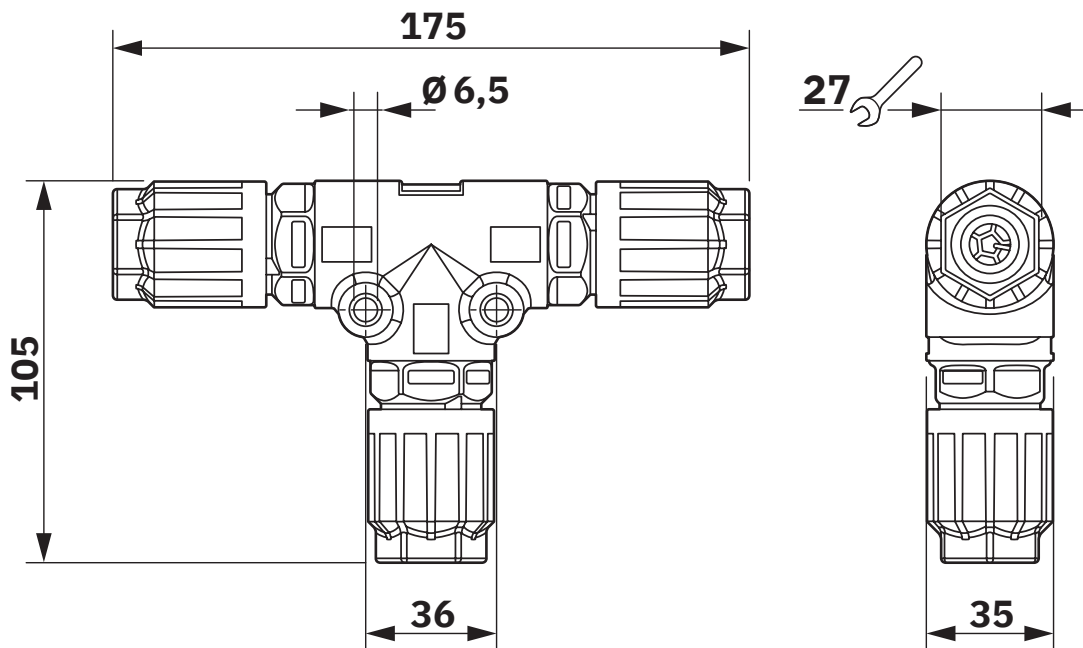
Drawings

Diagram



Derating diagram

Dimensional drawing



Dimensional drawing

QPD T 4PE 3X6-11 BK - T distributor



1405401

<https://www.phoenixcontact.com/us/products/1405401>

Approvals

To download certificates, visit the product detail page: <https://www.phoenixcontact.com/us/products/1405401>



IECEE CB Scheme
Approval ID: DE1-65875



EAC
Approval ID: RU C-DE.BL08.B.00511



DNV GL
Approval ID: TAE00003J5



VDE Zeichengenehmigung
Approval ID: 40029149



UL Listed
Approval ID: E468743

Nominal voltage U_N	Nominal current I_N	Cross section AWG	Cross section mm^2
600 V	10 A	-	- 14



cUL Listed
Approval ID: E468743

Nominal voltage U_N	Nominal current I_N	Cross section AWG	Cross section mm^2
600 V	10 A	- 14	-

cULus Listed

QPD T 4PE 3X6-11 BK - T distributor



1405401

<https://www.phoenixcontact.com/us/products/1405401>

Classifications

ECLASS

ECLASS-11.0	27440603
ECLASS-13.0	27440603
ECLASS-12.0	27440603

ETIM

ETIM 9.0	EC002567
----------	----------

UNSPSC

UNSPSC 21.0	39121400
-------------	----------

QPD T 4PE 3X6-11 BK - T distributor



1405401

<https://www.phoenixcontact.com/us/products/1405401>

Environmental product compliance

EU RoHS

Fulfills EU RoHS substance requirements	Yes
Exemption	6(c)

China RoHS

Environment friendly use period (EFUP)	EFUP-50
	An article-related China RoHS declaration table can be found in the download area for the respective article under "Manufacturer declaration". For all articles with EFUP-E, no China RoHS declaration table issued and required.

EU REACH SVHC

REACH candidate substance (CAS No.)	Lead(CAS: 7439-92-1)
SCIP	accd6631-7c90-4a68-9c5f-1a291c685cf9

QPD T 4PE 3X6-11 BK - T distributor

1405401

<https://www.phoenixcontact.com/us/products/1405401>

Accessories

CP-QPD 5X2,5 - Coding profile

1404530

<https://www.phoenixcontact.com/us/products/1404530>



Coding profile, red, for insertion into the 5-pos. QUICKON dome and connector, can be positioned in 72° increments.

QPD QSK 5X2,5 - Protective cap

1404528

<https://www.phoenixcontact.com/us/products/1404528>



Protective cap, transparent plastic, for 5x 2.5 mm² QPD QUICKON connection, IP50.

QPD T 4PE 3X6-11 BK - T distributor

1405401

<https://www.phoenixcontact.com/us/products/1405401>



QPD QSK BK 5X2,5 FS - Protective cap

1404525

<https://www.phoenixcontact.com/us/products/1404525>

Protective cap, plastic, for QUICKON connection, black, with retaining cord, IP68



SEALING PLUG 10X16 RD - Closing cap

1400284

<https://www.phoenixcontact.com/us/products/1400284>

Closing cap, for threads pluggable, color: red



QPD T 4PE 3X6-11 BK - T distributor



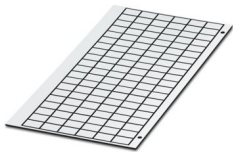
1405401

<https://www.phoenixcontact.com/us/products/1405401>

GPE 13X 9 WH - Engraving material

0806932

<https://www.phoenixcontact.com/us/products/0806932>



Engraving material, Sheet, white, unlabeled, can be labeled with: PLOTMARK, ENGRAVING UNIT, CMS-P1-PLOTTER, P1 ENGRAVING UNIT, mounting type: adhesive, lettering field size: 13 x 9 mm, Number of individual labels: 120

EMLP (13X9)R - Label

0819453

<https://www.phoenixcontact.com/us/products/0819453>



Label, Roll, white, unlabeled, can be labeled with: THERMOMARK E.300 (D)/600 (D), THERMOMARK ROLL 2.0, THERMOMARK ROLL, THERMOMARK ROLL X1, THERMOMARK ROLLMASTER 300/600, THERMOMARK X1.2, mounting type: adhesive, lettering field size: 13 x 9 mm, Number of individual labels: 500

QPD T 4PE 3X6-11 BK - T distributor

1405401

<https://www.phoenixcontact.com/us/products/1405401>



QPD W 4PE2,5 6-11 M20 0,5 BK - Panel feed-through

1403725

<https://www.phoenixcontact.com/us/products/1403725>



Panel feed-through, product family: QPD, connection method: Single wires (Welded-on)/ IDC connection, number of positions: 4+PE, M20, Pin, 1 mm² ... 2.5 mm², 690 V, 20 A, PA, black, with QUICKON nut, coding: coded, external cable diameter: 6 mm ... 11 mm, 2.5 mm², wires cut flat at the end, cable length: 0.5 m

QPD W 4PE2,5 6-11 M20 1,0 BK - Panel feed-through

1403727

<https://www.phoenixcontact.com/us/products/1403727>



Panel feed-through, product family: QPD, connection method: Single wires (Welded-on)/ IDC connection, number of positions: 4+PE, M20, Pin, 1 mm² ... 2.5 mm², 690 V, 20 A, PA, black, with QUICKON nut, coding: coded, external cable diameter: 6 mm ... 11 mm, 2.5 mm², wires cut flat at the end, cable length: 1 m

QPD T 4PE 3X6-11 BK - T distributor

1405401

<https://www.phoenixcontact.com/us/products/1405401>



QPD W 4PE2,5 6-11 M20 FC BK - Panel feed-through

1403729

<https://www.phoenixcontact.com/us/products/1403729>



Panel feed-through, product family: QPD, connection method: Spade connection (For slip-on sleeves according to DIN 46247-2)/ IDC connection, number of positions: 4+PE, M20, Pin, 1 mm² ... 2.5 mm², 690 V, 15 A, PA, black, with QUICKON nut, coding: coded, external cable diameter: 6 mm ... 11 mm

QPD W 4PE2,5 6-11 M25 0,5 BK - Panel feed-through

1582557

<https://www.phoenixcontact.com/us/products/1582557>



Panel feed-through, product family: QPD, connection method: Single wires (Welded-on), number of positions: 4+PE, M25, Pin, 1 mm² ... 2.5 mm², 690 V, 20 A, PA, black, with QUICKON nut, coding: coded, external cable diameter: 6 mm . .. 11 mm, 2.5 mm², wires cut flat at the end, cable length: 0.5 m

QPD T 4PE 3X6-11 BK - T distributor

1405401

<https://www.phoenixcontact.com/us/products/1405401>



QPD W 4PE2,5 6-11 M25 FC BK - Panel feed-through

1582559

<https://www.phoenixcontact.com/us/products/1582559>



QUICKON panel feed-through, black, 4+PE-pos. 1.0 mm² ... 2.5 mm²/690 V/20 A, with QUICKON nut, for 6 mm ... 11 mm cable diameter, M25 connection thread with 5 slip-on contacts for slip-on sleeves according to DIN 46247-2

QPD W 4PE2,5 6-11 M25 DT BK - Panel feed-through

1411432

<https://www.phoenixcontact.com/us/products/1411432>



Panel feed-through, product family: QPD, connection method: Push-in connection/ IDC connection, number of positions: 4+PE, M25, Pin, 1 mm² ... 2.5 mm², 690 V, 20 A, PA, black, with QUICKON nut, coding: coded, external cable diameter: 6 mm ... 11 mm

QPD T 4PE 3X6-11 BK - T distributor

1405401

<https://www.phoenixcontact.com/us/products/1405401>



QPD C 4PE2,5 1X6-11 BK - Conductor connectors

1403834

<https://www.phoenixcontact.com/us/products/1403834>



QUICKON cable connector, black, 4+PE-pos., 1.0 mm² ... 2.5 mm² / 690 V / 20 A, for 6 mm ... 11 mm cable diameter.

QPD C 4PE2,5 2X6-11 BK - Conductor connectors

1403838

<https://www.phoenixcontact.com/us/products/1403838>



QUICKON cable connector, black, 4+PE-pos., 1.0 mm² ... 2.5 mm² / 690 V / 20 A, for 6 mm ... 11 mm cable diameter.

QPD T 4PE 3X6-11 BK - T distributor

1405401

<https://www.phoenixcontact.com/us/products/1405401>



QPD T 4PE 2X6-11 BK - T distributor

1405403

<https://www.phoenixcontact.com/us/products/1405403>



QUICKON T-distributor, black, 4+PE-pos., 1.0 mm² ... 2.5 mm²/690 V/20 A, for cable diameter of 6 mm ... 11 mm, with two QUICKON nuts

QPD H 4PE2,5 4X6-11 BK - H distributor

1406368

<https://www.phoenixcontact.com/us/products/1406368>



QUICKON H-distributor, black, 4 pos. +PE, 1.0 mm² ... 2.5 mm² / 690 V / 20 A, for cable diameters of 6 mm ... 11 mm, with a sealing bolt.

QPD T 4PE 3X6-11 BK - T distributor

1405401

<https://www.phoenixcontact.com/us/products/1405401>



QPD N 4PE2,5 6-11 BK - Nut

1459663

<https://www.phoenixcontact.com/us/products/1459663>



QUICKON nut, black, 4+PE-pos., 1.0 mm² ... 2.5 mm²/690 V/20 A, for cables with 6 mm ... 11 mm diameter.

QPD P 4PE2,5 6-11 BK - Connector

1403784

<https://www.phoenixcontact.com/us/products/1403784>



Connector, product family: QPD, connection method: IDC connection, number of positions: 4+PE, 1 mm² ... 2.5 mm², 690 V, 20 A, PA, black, external cable diameter: 6 mm ... 11 mm

QPD T 4PE 3X6-11 BK - T distributor

1405401

<https://www.phoenixcontact.com/us/products/1405401>



QPD P 4PE2,5 6-11 TL BK - Connector

1039563

<https://www.phoenixcontact.com/us/products/1039563>



Connector, product family: QPD, connection method: IDC connection, number of positions: 4+PE, 1 mm² ... 2.5 mm², 690 V, 20 A, PA, black, with QUICKON nut, external cable diameter: 6 mm ... 11 mm

QSS 27 - Socket wrench

1670646

<https://www.phoenixcontact.com/us/products/1670646>



Allen wrench, for loosening and fastening the QUICKON union nut, WAF 27 mm

Phoenix Contact 2024 © - all rights reserved
<https://www.phoenixcontact.com>

Phoenix Contact USA
586 Fulling Mill Road
Middletown, PA 17057, United States
(+717) 944-1300
info@phoenixcon.com