

# QPD T 4PE 3X9-16 BK - T distributor



1405402

<https://www.phoenixcontact.com/us/products/1405402>

Please be informed that the data shown in this PDF document is generated from our online catalog. Please find the complete data in the user documentation. Our general terms of use for downloads are valid.

QUICKON T-distributor, black, 4+PE-pos., 1.0 mm<sup>2</sup> ... 2.5 mm<sup>2</sup>/690 V/20 A, for cable diameter of 9 mm ... 16 mm, with three QUICKON nuts



## Your advantages

- Innovative and time saving - QUICKON fast connection for time saving of up to 80 % for on-site connection
- Robust throughout: housing with IP68/IP69K and IK07 protection for a wide range of applications
- Safer connection with mechanical coding to protect against mismatching, and touch-proof protection in accordance with DIN EN 0105
- Flexible and compact - by connecting connections internally, H and T-distributors can be used to branch master cables or they can be used as star distributors

## Commercial data

Item number	1405402
Packing unit	1 pc
Minimum order quantity	1 pc
Sales key	BF50
Product key	BF6DCB
Catalog page	Page 482 (C-2-2019)
GTIN	4046356776097
Weight per piece (including packing)	244.6 g
Weight per piece (excluding packing)	243.4 g
Customs tariff number	85366990
Country of origin	PL

# QPD T 4PE 3X9-16 BK - T distributor



1405402

<https://www.phoenixcontact.com/us/products/1405402>

## Technical data

### Mounting

Mounting type	direct screw connection
---------------	-------------------------

### Product properties

Product type	Power distributor
Product family	QPD
Type	T distributor
Number of positions	5
Connection profile	4+PE
Position marking	1, 2, 3, N, PE
Number of connections	3
No. of cable outlets	3
Coding	Coding profile

### Insulation characteristics

Overvoltage category	III
Degree of pollution	3

### Connection data

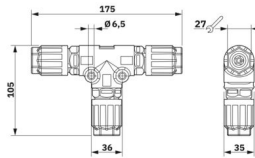
#### Connection technology

Connection method	IDC connection
Frequency of connections between conductors of the same cross section	max. 10

#### Conductor connection

Conductor cross section flexibel	1 mm <sup>2</sup> ... 2.5 mm <sup>2</sup>
Conductor cross section solid	1 mm <sup>2</sup> ... 2.5 mm <sup>2</sup>
Connection cross section AWG	16 ... 14
Tightening torque Union nut	10 Nm
Wrench size Union nut	27 mm

### Dimensions

Dimensional drawing	
Width	105 mm
Height	35 mm
Length	175 mm
Wrench size	27 mm

# QPD T 4PE 3X9-16 BK - T distributor



1405402

<https://www.phoenixcontact.com/us/products/1405402>

Wrench size for mounting	27 mm
--------------------------	-------

## Electrical properties

Rated surge voltage (II/2)	8 kV
Rated surge voltage (III/2)	8 kV
Rated surge voltage (III/3)	6 kV
Rated current	20 A (See also derating-diagram)
Contact resistance	< 3 mΩ
rated voltage (II/2)	1000 V
rated voltage (III/2)	1000 V
Rated voltage (III/3)	690 V
Nominal voltage $U_N$	690 V AC 690 V DC
Nominal current $I_N$	20 A

## Mechanical properties

### Mechanical data

Insertion/withdrawal cycles	max. 50 (QUICKON connections max. 10)
-----------------------------	---------------------------------------

## Material specifications

Color	black (RAL 9005)
Material Housing	PA
Material Contact	Cu
Material Contact surface	Silver-plated
Flammability rating according to UL 94	V0
Material wire insulation	PVC/PE/TPE/rubber

## Cable/line

Structure of individual litz in acc. with VDE 0295 / smallest wire diameter	VDE 0295 class 1 to 6/min. 0.15 mm
External cable diameter	9 mm ... 16 mm
Wire diameter including insulation	2 mm ... 3.8 mm
Position marking	1, 2, 3, N, PE
Material wire insulation	PVC/PE/TPE/rubber

## Environmental and real-life conditions

### Ambient conditions

Degree of protection	IP66 IP68 (2 m / 24 h) IP69K
Ambient temperature (operation)	-40 °C ... 100 °C (See also derating-diagram)
Temperature when conductor connected	-5 °C ... 50 °C
Ambient temperature (storage/transport)	-40 °C ... 100 °C

# QPD T 4PE 3X9-16 BK - T distributor

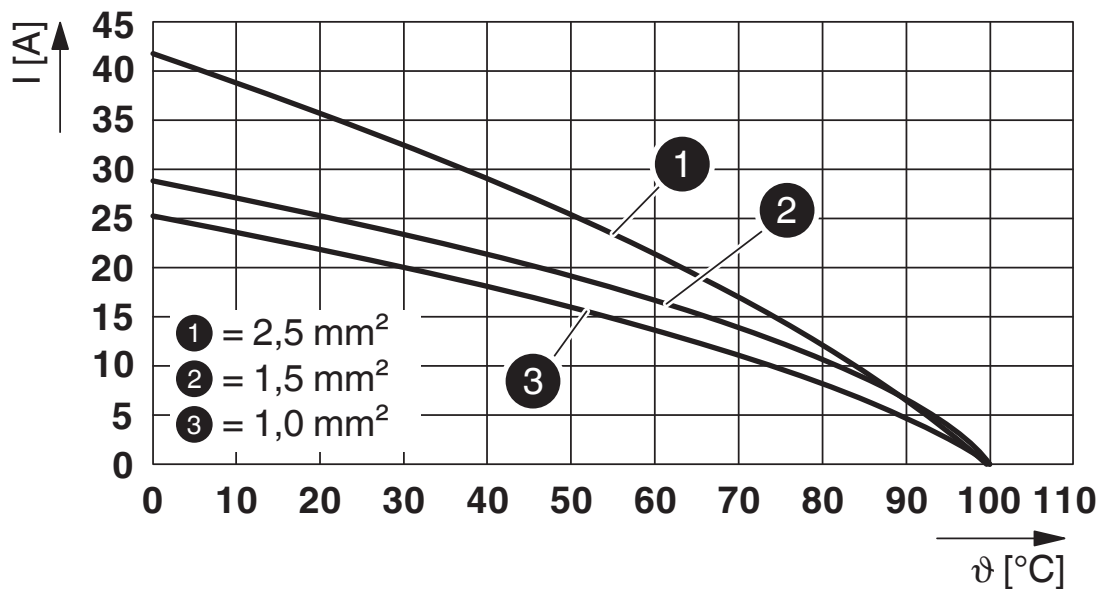


1405402

<https://www.phoenixcontact.com/us/products/1405402>

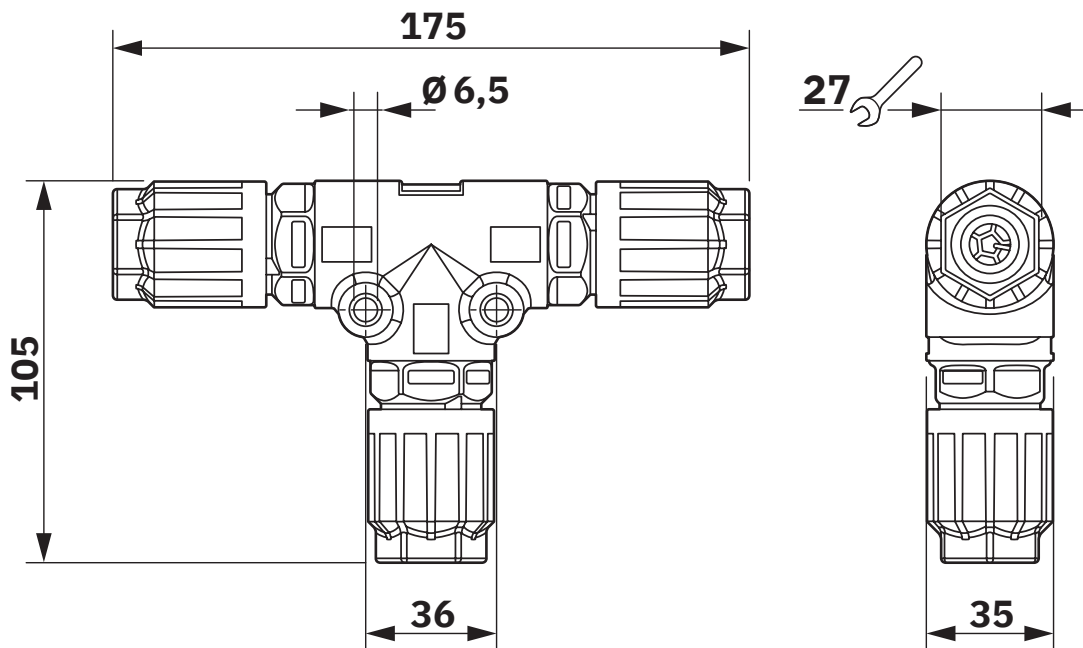
## Drawings

Diagram



Derating diagram

Dimensional drawing



Dimensional drawing

# QPD T 4PE 3X9-16 BK - T distributor



1405402

<https://www.phoenixcontact.com/us/products/1405402>

## Approvals

To download certificates, visit the product detail page: <https://www.phoenixcontact.com/us/products/1405402>



### IECEE CB Scheme

Approval ID: DE1-65875



### EAC

Approval ID: RU C-DE.BL08.B.00511



### DNV GL

Approval ID: TAE00003J5



### VDE Zeichengenehmigung

Approval ID: 40029149



### UL Listed

Approval ID: E468743

Nominal voltage $U_N$	Nominal current $I_N$	Cross section AWG	Cross section $\text{mm}^2$
600 V	10 A	-	- 14



### cUL Listed

Approval ID: E468743

Nominal voltage $U_N$	Nominal current $I_N$	Cross section AWG	Cross section $\text{mm}^2$
600 V	10 A	- 14	-

### cULus Listed

# QPD T 4PE 3X9-16 BK - T distributor



1405402

<https://www.phoenixcontact.com/us/products/1405402>

## Classifications

### ECLASS

ECLASS-11.0	27440603
ECLASS-13.0	27440603
ECLASS-12.0	27440603

### ETIM

ETIM 9.0	EC002567
----------	----------

### UNSPSC

UNSPSC 21.0	39121400
-------------	----------

# QPD T 4PE 3X9-16 BK - T distributor



1405402

<https://www.phoenixcontact.com/us/products/1405402>

## Environmental product compliance

### EU RoHS

Fulfills EU RoHS substance requirements	Yes
Exemption	6(c)

### China RoHS

Environment friendly use period (EFUP)	EFUP-50
	An article-related China RoHS declaration table can be found in the download area for the respective article under "Manufacturer declaration". For all articles with EFUP-E, no China RoHS declaration table issued and required.

### EU REACH SVHC

REACH candidate substance (CAS No.)	Lead(CAS: 7439-92-1)
SCIP	a3323f17-08fd-4e62-ab8b-03682c579a94

# QPD T 4PE 3X9-16 BK - T distributor

1405402

<https://www.phoenixcontact.com/us/products/1405402>

## Accessories

### CP-QPD 5X2,5 - Coding profile

1404530

<https://www.phoenixcontact.com/us/products/1404530>



Coding profile, red, for insertion into the 5-pos. QUICKON dome and connector, can be positioned in 72° increments.

---

### QPD QSK 5X2,5 - Protective cap

1404528

<https://www.phoenixcontact.com/us/products/1404528>



Protective cap, transparent plastic, for 5x 2.5 mm<sup>2</sup> QPD QUICKON connection, IP50.



## QPD T 4PE 3X9-16 BK - T distributor

1405402

<https://www.phoenixcontact.com/us/products/1405402>



## QPD QSK BK 5X2,5 FS - Protective cap

1404525

<https://www.phoenixcontact.com/us/products/1404525>

Protective cap, plastic, for QUICKON connection, black, with retaining cord, IP68



---

## SEALING PLUG 14X22 RD - Closing cap

1400270

<https://www.phoenixcontact.com/us/products/1400270>

Closing cap, for threads pluggable, color: red



# QPD T 4PE 3X9-16 BK - T distributor



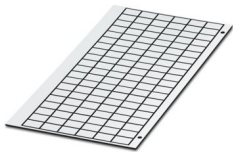
1405402

<https://www.phoenixcontact.com/us/products/1405402>

## GPE 13X 9 WH - Engraving material

0806932

<https://www.phoenixcontact.com/us/products/0806932>



Engraving material, Sheet, white, unlabeled, can be labeled with: PLOTMARK, ENGRAVING UNIT, CMS-P1-PLOTTER, P1 ENGRAVING UNIT, mounting type: adhesive, lettering field size: 13 x 9 mm, Number of individual labels: 120

---

## EMLP (13X9)R - Label

0819453

<https://www.phoenixcontact.com/us/products/0819453>



Label, Roll, white, unlabeled, can be labeled with: THERMOMARK E.300 (D)/600 (D), THERMOMARK ROLL 2.0, THERMOMARK ROLL, THERMOMARK ROLL X1, THERMOMARK ROLLMASTER 300/600, THERMOMARK X1.2, mounting type: adhesive, lettering field size: 13 x 9 mm, Number of individual labels: 500

## QPD T 4PE 3X9-16 BK - T distributor

1405402

<https://www.phoenixcontact.com/us/products/1405402>



## QPD W 4PE2,5 9-16 M20 0,5 BK - Panel feed-through

1403731

<https://www.phoenixcontact.com/us/products/1403731>



Panel feed-through, product family: QPD, connection method: Single wires (Welded-on)/ IDC connection, number of positions: 4+PE, M20, Pin, 1 mm<sup>2</sup> ... 2.5 mm<sup>2</sup>, 690 V, 20 A, PA, black, with QUICKON nut, coding: coded, external cable diameter: 9 mm ... 16 mm, 2.5 mm<sup>2</sup>, wires cut flat at the end, cable length: 0.5 m

---

## QPD W 4PE2,5 9-16 M20 1,0 BK - Panel feed-through

1403733

<https://www.phoenixcontact.com/us/products/1403733>



Panel feed-through, product family: QPD, connection method: Single wires (Welded-on)/ IDC connection, number of positions: 4+PE, M20, Pin, 1 mm<sup>2</sup> ... 2.5 mm<sup>2</sup>, 690 V, 20 A, PA, black, with QUICKON nut, coding: coded, external cable diameter: 9 mm ... 16 mm, 2.5 mm<sup>2</sup>, wires cut flat at the end, cable length: 1 m

# QPD T 4PE 3X9-16 BK - T distributor

1405402

<https://www.phoenixcontact.com/us/products/1405402>



## QPD W 4PE2,5 9-16 M20 FC BK - Panel feed-through

1403735

<https://www.phoenixcontact.com/us/products/1403735>



Panel feed-through, product family: QPD, connection method: Spade connection (For slip-on sleeves according to DIN 46247-2)/ IDC connection, number of positions: 4+PE, M20, Pin, 1 mm<sup>2</sup> ... 2.5 mm<sup>2</sup>, 690 V, 15 A, PA, black, with QUICKON nut, coding: coded, external cable diameter: 9 mm ... 16 mm

---

## QPD W 4PE2,5 9-16 M25 0,5 BK - Panel feed-through

1582561

<https://www.phoenixcontact.com/us/products/1582561>



Panel feed-through, product family: QPD, connection method: Single wires (Welded-on), number of positions: 4+PE, M25, Pin, 1 mm<sup>2</sup> ... 2.5 mm<sup>2</sup>, 690 V, 20 A, PA, black, with QUICKON nut, coding: coded, external cable diameter: 9 mm . .. 16 mm, 2.5 mm<sup>2</sup>, wires cut flat at the end, cable length: 0.5 m

## QPD T 4PE 3X9-16 BK - T distributor

1405402

<https://www.phoenixcontact.com/us/products/1405402>



## QPD W 4PE2,5 9-16 M25 1,0 BK - Panel feed-through

1582562

<https://www.phoenixcontact.com/us/products/1582562>



Panel feed-through, product family: QPD, connection method: Single wires (Welded-on), number of positions: 4+PE, M25, Pin, 1 mm<sup>2</sup> ... 2.5 mm<sup>2</sup>, 690 V, 20 A, PA, black, with QUICKON nut, coding: coded, external cable diameter: 9 mm . . . 16 mm, 2.5 mm<sup>2</sup>, wires cut flat at the end, cable length: 1 m

---

## QPD W 4PE2,5 9-16 M25 FC BK - Panel feed-through

1582563

<https://www.phoenixcontact.com/us/products/1582563>



QUICKON panel feed-through, black, 4+PE-pos. 1.0 mm<sup>2</sup> ... 2.5 mm<sup>2</sup>/690 V/20 A, with QUICKON nut, for 9 mm ... 16 mm cable diameter, M25 connection thread with 5 slip-on contacts for slip-on sleeves according to DIN 46247-2

## QPD T 4PE 3X9-16 BK - T distributor

1405402

<https://www.phoenixcontact.com/us/products/1405402>



## QPD W 4PE2,5 9-16 M25 DT BK - Panel feed-through

1411433

<https://www.phoenixcontact.com/us/products/1411433>



QUICKON panel feed-through, black, 4+PE-pos., 1.0 mm<sup>2</sup> ... 2.5 mm<sup>2</sup>/690 V/20 A, with QUICKON nut, for cable diameter of 9 mm ... 16 mm, with push-in spring-cage connection.

---

## QPD C 4PE2,5 1X9-16 BK - Conductor connectors

1403831

<https://www.phoenixcontact.com/us/products/1403831>



QUICKON cable connector, black, 4+PE-pos., 1.0 mm<sup>2</sup> ... 2.5 mm<sup>2</sup> / 690 V / 20 A, for 9 mm ... 16 mm cable diameter.

## QPD T 4PE 3X9-16 BK - T distributor

1405402

<https://www.phoenixcontact.com/us/products/1405402>



## QPD C 4PE2,5 2X9-16 BK - Conductor connectors

1403836

<https://www.phoenixcontact.com/us/products/1403836>



QUICKON cable connector, black, 4+PE-pos., 1.0 mm<sup>2</sup> ... 2.5 mm<sup>2</sup> / 690 V / 20 A, for 9 mm ... 16 mm cable diameter.

---

## QPD T 4PE 2X9-16 BK - T distributor

1405404

<https://www.phoenixcontact.com/us/products/1405404>



QUICKON T-distributor, black, 4+PE-pos., 1.0 mm<sup>2</sup> ... 2.5 mm<sup>2</sup>/690 V/20 A, for cable diameter of 9 mm ... 16 mm, with two QUICKON nuts

## QPD T 4PE 3X9-16 BK - T distributor

1405402

<https://www.phoenixcontact.com/us/products/1405402>



## QPD H 4PE2,5 4X9-16 BK - H distributor

1406369

<https://www.phoenixcontact.com/us/products/1406369>



QUICKON H-distributor, black, 4 pos. +PE, 1.0 mm<sup>2</sup> ... 2.5 mm<sup>2</sup> / 690 V / 20 A, for cable diameters of 9 mm ... 16 mm, with a sealing bolt.

---

## QPD N 4PE2,5 9-16 BK - Nut

1459647

<https://www.phoenixcontact.com/us/products/1459647>



QUICKON nut, black, 4+PE-pos., 1.0 mm<sup>2</sup> ... 2.5 mm<sup>2</sup>/690 V/20 A, for cables with 9 mm ... 16 mm diameter.



# QPD T 4PE 3X9-16 BK - T distributor

1405402

<https://www.phoenixcontact.com/us/products/1405402>



## QPD P 4PE2,5 9-16 BK - Connector

1403782

<https://www.phoenixcontact.com/us/products/1403782>



Connector, product family: QPD, connection method: IDC connection, number of positions: 4+PE, 1 mm<sup>2</sup> ... 2.5 mm<sup>2</sup>, 690 V, 20 A, PA, black, with QUICKON nut, external cable diameter: 9 mm ... 16 mm

---

## QPD P 4PE2,5 9-16 TL BK - Connector

1039561

<https://www.phoenixcontact.com/us/products/1039561>



Connector, product family: QPD, connection method: IDC connection, number of positions: 4+PE, 1 mm<sup>2</sup> ... 2.5 mm<sup>2</sup>, 690 V, 20 A, PA, black, with QUICKON nut, external cable diameter: 9 mm ... 16 mm

# QPD T 4PE 3X9-16 BK - T distributor

1405402

<https://www.phoenixcontact.com/us/products/1405402>



## QSS 27 - Socket wrench

1670646

<https://www.phoenixcontact.com/us/products/1670646>



Allen wrench, for loosening and fastening the QUICKON union nut, WAF 27 mm

---

Phoenix Contact 2024 © - all rights reserved

<https://www.phoenixcontact.com>

Phoenix Contact USA  
586 Fulling Mill Road  
Middletown, PA 17057, United States  
(+717) 944-1300  
[info@phoenixcon.com](mailto:info@phoenixcon.com)