

QPD H 4PE2,5 4X9-16 BK - H distributor



1406369

<https://www.phoenixcontact.com/us/products/1406369>

Please be informed that the data shown in this PDF document is generated from our online catalog. Please find the complete data in the user documentation. Our general terms of use for downloads are valid.



QUICKON H-distributor, black, 4 pos. +PE, 1.0 mm² ... 2.5 mm² / 690 V / 20 A, for cable diameters of 9 mm ... 16 mm, with a sealing bolt.

Your advantages

- Innovative and time saving - QUICKON fast connection for time saving of up to 80 % for on-site connection
- Robust throughout: housing with IP68/IP69K and IK07 protection for a wide range of applications
- Safer connection with mechanical coding to protect against mismatching, and touch-proof protection in accordance with DIN EN 0105
- Flexible and compact - by connecting connections internally, H and T-distributors can be used to branch master cables or they can be used as star distributors

Commercial data

Item number	1406369
Packing unit	1 pc
Minimum order quantity	1 pc
Sales key	BF50
Product key	BF6DCB
Catalog page	Page 481 (C-2-2019)
GTIN	4046356776172
Weight per piece (including packing)	331.1 g
Weight per piece (excluding packing)	327.1 g
Customs tariff number	85366990
Country of origin	PL

QPD H 4PE2,5 4X9-16 BK - H distributor



1406369

<https://www.phoenixcontact.com/us/products/1406369>

Technical data

Product properties

Product type	Power distributor
Product family	QPD
Type	H-distributor
Number of positions	5
Connection profile	4+PE
Position marking	1, 2, 3, N, PE
Number of connections	4
No. of cable outlets	4
Coding	Coding profile

Insulation characteristics

Overvoltage category	III
Degree of pollution	3

Connection data

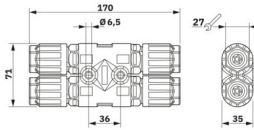
Connection technology

Connection method	IDC connection
Frequency of connections between conductors of the same cross section	max. 10

Conductor connection

Conductor cross section flexibel	1 mm ² ... 2.5 mm ²
Conductor cross section solid	1 mm ² ... 2.5 mm ²
Connection cross section AWG	16 ... 14
Tightening torque Union nut	10 Nm
Wrench size Union nut	27 mm

Dimensions

Dimensional drawing	
Width	71 mm
Height	35 mm
Length	170 mm
Wrench size	27 mm
Wrench size for mounting	27 mm

Electrical properties

Rated surge voltage (II/2)	8 kV
----------------------------	------

QPD H 4PE2,5 4X9-16 BK - H distributor



1406369

<https://www.phoenixcontact.com/us/products/1406369>

Rated surge voltage (III/2)	8 kV
Rated surge voltage (III/3)	6 kV
Rated current	20 A (See also derating-diagram)
Contact resistance	< 3 mΩ
rated voltage (II/2)	1000 V
rated voltage (III/2)	1000 V
Rated voltage (III/3)	690 V
Nominal voltage U_N	690 V AC 690 V DC
Nominal current I_N	20 A

Mechanical properties

Mechanical data

Insertion/withdrawal cycles	max. 50 (QUICKON connections max. 10)
-----------------------------	---------------------------------------

Material specifications

Color	black (RAL 9005)
Material Housing	PA
Material Contact	Cu
Material Contact surface	Silver-plated
Flammability rating according to UL 94	V0
Material wire insulation	PVC/PE/TPE/rubber

Cable/line

Structure of individual litz in acc. with VDE 0295 / smallest wire diameter	VDE 0295 class 1 to 6/min. 0.15 mm
External cable diameter	9 mm ... 16 mm
Wire diameter including insulation	2 mm ... 3.8 mm
Position marking	1, 2, 3, N, PE
Material wire insulation	PVC/PE/TPE/rubber

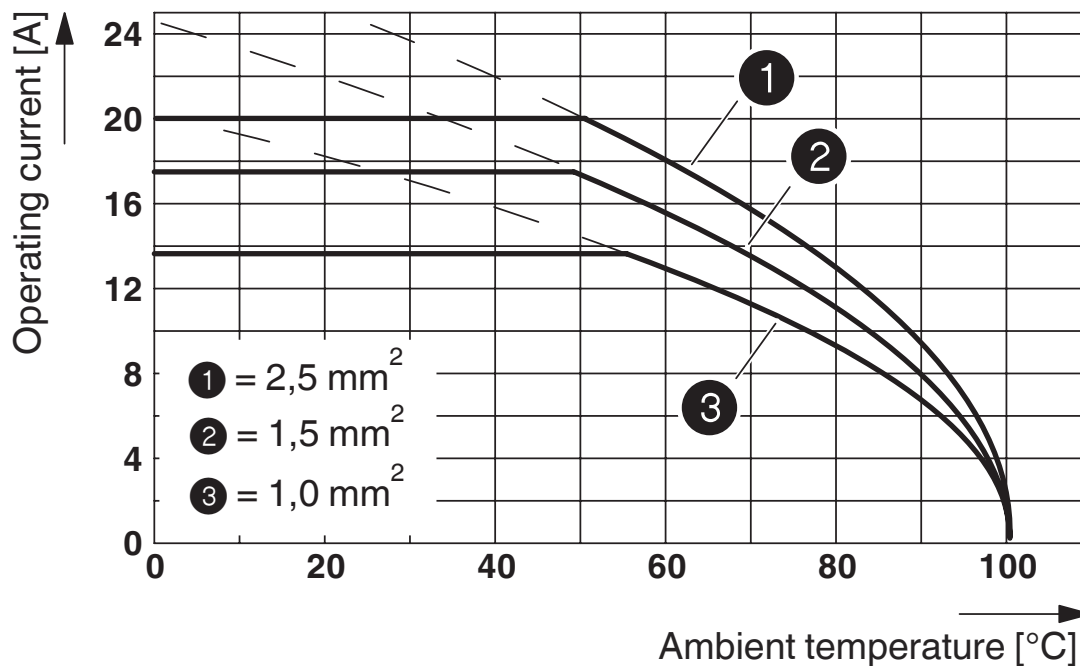
Environmental and real-life conditions

Ambient conditions

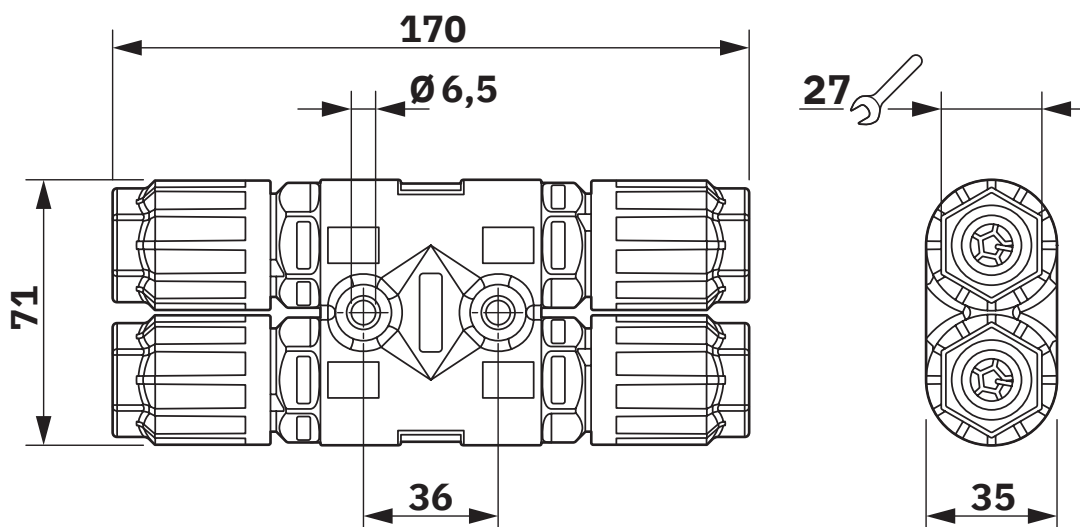
Degree of protection	IP66 IP68 (2 m / 24 h) IP69K (Distance from the nozzle 150 mm)
Ambient temperature (operation)	-40 °C ... 100 °C
Temperature when conductor connected	-5 °C ... 50 °C
Ambient temperature (storage/transport)	-40 °C ... 100 °C

Drawings

Diagram



Dimensional drawing



Dimensional drawing

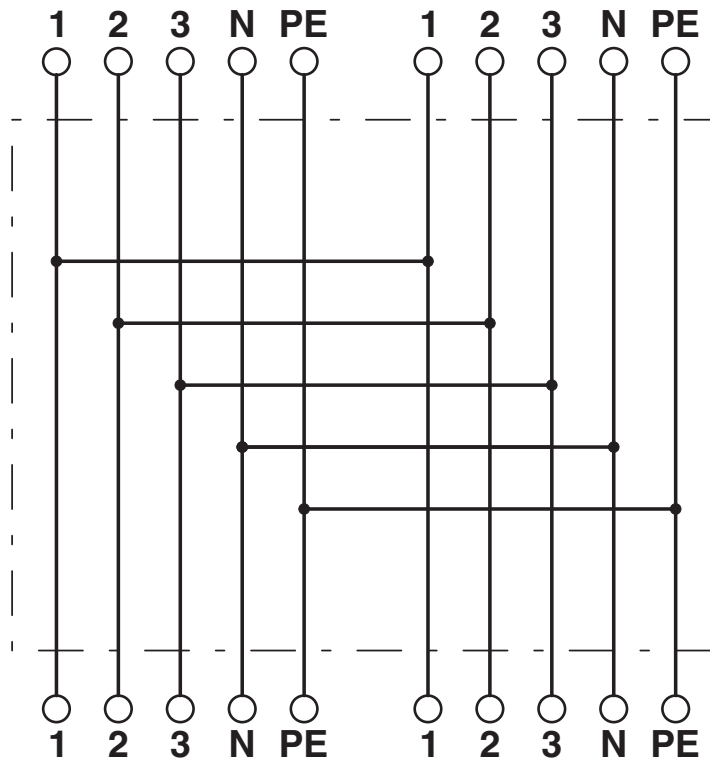
QPD H 4PE2,5 4X9-16 BK - H distributor

1406369

<https://www.phoenixcontact.com/us/products/1406369>



Circuit diagram



QPD H 4PE2,5 4X9-16 BK - H distributor



1406369

<https://www.phoenixcontact.com/us/products/1406369>

Approvals

To download certificates, visit the product detail page: <https://www.phoenixcontact.com/us/products/1406369>



IECEE CB Scheme
Approval ID: DE1-65875



EAC
Approval ID: RU C-DE.BL08.B.00511



DNV GL
Approval ID: TAE00003J5



VDE Zeichengenehmigung
Approval ID: 40029149



UL Listed
Approval ID: E468743

Nominal voltage U_N	Nominal current I_N	Cross section AWG	Cross section mm^2
600 V	10 A	-	- 14



cUL Listed
Approval ID: E468743

Nominal voltage U_N	Nominal current I_N	Cross section AWG	Cross section mm^2
600 V	10 A	- 14	-

cULus Listed

QPD H 4PE2,5 4X9-16 BK - H distributor



1406369

<https://www.phoenixcontact.com/us/products/1406369>

Classifications

ECLASS

ECLASS-11.0	27440603
ECLASS-13.0	27440603
ECLASS-12.0	27440603

ETIM

ETIM 9.0	EC002567
----------	----------

UNSPSC

UNSPSC 21.0	39121400
-------------	----------

1406369

<https://www.phoenixcontact.com/us/products/1406369>

Environmental product compliance

EU RoHS

Fulfills EU RoHS substance requirements	Yes
Exemption	6(c)

China RoHS

Environment friendly use period (EFUP)	EFUP-50
	An article-related China RoHS declaration table can be found in the download area for the respective article under "Manufacturer declaration". For all articles with EFUP-E, no China RoHS declaration table issued and required.

EU REACH SVHC

REACH candidate substance (CAS No.)	Lead(CAS: 7439-92-1)
SCIP	c0610794-0374-4dba-9698-50beee8dc333

QPD H 4PE2,5 4X9-16 BK - H distributor

1406369

<https://www.phoenixcontact.com/us/products/1406369>

Accessories

CP-QPD 5X2,5 - Coding profile

1404530

<https://www.phoenixcontact.com/us/products/1404530>



Coding profile, red, for insertion into the 5-pos. QUICKON dome and connector, can be positioned in 72° increments.

QPD QSK 5X2,5 - Protective cap

1404528

<https://www.phoenixcontact.com/us/products/1404528>



Protective cap, transparent plastic, for 5x 2.5 mm² QPD QUICKON connection, IP50.

QPD H 4PE2,5 4X9-16 BK - H distributor

1406369

<https://www.phoenixcontact.com/us/products/1406369>



QPD QSK BK 5X2,5 FS - Protective cap

1404525

<https://www.phoenixcontact.com/us/products/1404525>

Protective cap, plastic, for QUICKON connection, black, with retaining cord, IP68



SEALING PLUG 14X22 RD - Closing cap

1400270

<https://www.phoenixcontact.com/us/products/1400270>

Closing cap, for threads pluggable, color: red



QPD H 4PE2,5 4X9-16 BK - H distributor



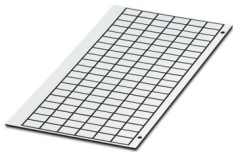
1406369

<https://www.phoenixcontact.com/us/products/1406369>

GPE 13X 9 WH - Engraving material

0806932

<https://www.phoenixcontact.com/us/products/0806932>



Engraving material, Sheet, white, unlabeled, can be labeled with: PLOTMARK, ENGRAVING UNIT, CMS-P1-PLOTTER, P1 ENGRAVING UNIT, mounting type: adhesive, lettering field size: 13 x 9 mm, Number of individual labels: 120

EMLP (13X9)R - Label

0819453

<https://www.phoenixcontact.com/us/products/0819453>



Label, Roll, white, unlabeled, can be labeled with: THERMOMARK E.300 (D)/600 (D), THERMOMARK ROLL 2.0, THERMOMARK ROLL, THERMOMARK ROLL X1, THERMOMARK ROLLMASTER 300/600, THERMOMARK X1.2, mounting type: adhesive, lettering field size: 13 x 9 mm, Number of individual labels: 500

QPD H 4PE2,5 4X9-16 BK - H distributor

1406369

<https://www.phoenixcontact.com/us/products/1406369>



QPD W 4PE2,5 9-16 M20 0,5 BK - Panel feed-through

1403731

<https://www.phoenixcontact.com/us/products/1403731>



Panel feed-through, product family: QPD, connection method: Single wires (Welded-on)/ IDC connection, number of positions: 4+PE, M20, Pin, 1 mm² ... 2.5 mm², 690 V, 20 A, PA, black, with QUICKON nut, coding: coded, external cable diameter: 9 mm ... 16 mm, 2.5 mm², wires cut flat at the end, cable length: 0.5 m

QPD W 4PE2,5 9-16 M20 1,0 BK - Panel feed-through

1403733

<https://www.phoenixcontact.com/us/products/1403733>



Panel feed-through, product family: QPD, connection method: Single wires (Welded-on)/ IDC connection, number of positions: 4+PE, M20, Pin, 1 mm² ... 2.5 mm², 690 V, 20 A, PA, black, with QUICKON nut, coding: coded, external cable diameter: 9 mm ... 16 mm, 2.5 mm², wires cut flat at the end, cable length: 1 m

QPD H 4PE2,5 4X9-16 BK - H distributor

1406369

<https://www.phoenixcontact.com/us/products/1406369>



QPD W 4PE2,5 9-16 M20 FC BK - Panel feed-through

1403735

<https://www.phoenixcontact.com/us/products/1403735>



Panel feed-through, product family: QPD, connection method: Spade connection (For slip-on sleeves according to DIN 46247-2)/ IDC connection, number of positions: 4+PE, M20, Pin, 1 mm² ... 2.5 mm², 690 V, 15 A, PA, black, with QUICKON nut, coding: coded, external cable diameter: 9 mm ... 16 mm

QPD W 4PE2,5 9-16 M25 0,5 BK - Panel feed-through

1582561

<https://www.phoenixcontact.com/us/products/1582561>



Panel feed-through, product family: QPD, connection method: Single wires (Welded-on), number of positions: 4+PE, M25, Pin, 1 mm² ... 2.5 mm², 690 V, 20 A, PA, black, with QUICKON nut, coding: coded, external cable diameter: 9 mm . .. 16 mm, 2.5 mm², wires cut flat at the end, cable length: 0.5 m

QPD H 4PE2,5 4X9-16 BK - H distributor

1406369

<https://www.phoenixcontact.com/us/products/1406369>



QPD W 4PE2,5 9-16 M25 1,0 BK - Panel feed-through

1582562

<https://www.phoenixcontact.com/us/products/1582562>



Panel feed-through, product family: QPD, connection method: Single wires (Welded-on), number of positions: 4+PE, M25, Pin, 1 mm² ... 2.5 mm², 690 V, 20 A, PA, black, with QUICKON nut, coding: coded, external cable diameter: 9 mm . . . 16 mm, 2.5 mm², wires cut flat at the end, cable length: 1 m

QPD W 4PE2,5 9-16 M25 FC BK - Panel feed-through

1582563

<https://www.phoenixcontact.com/us/products/1582563>



QUICKON panel feed-through, black, 4+PE-pos. 1.0 mm² ... 2.5 mm²/690 V/20 A, with QUICKON nut, for 9 mm ... 16 mm cable diameter, M25 connection thread with 5 slip-on contacts for slip-on sleeves according to DIN 46247-2

QPD H 4PE2,5 4X9-16 BK - H distributor

1406369

<https://www.phoenixcontact.com/us/products/1406369>



QPD W 4PE2,5 9-16 M25 DT BK - Panel feed-through

1411433

<https://www.phoenixcontact.com/us/products/1411433>



QUICKON panel feed-through, black, 4+PE-pos., 1.0 mm² ... 2.5 mm²/690 V/20 A, with QUICKON nut, for cable diameter of 9 mm ... 16 mm, with push-in spring-cage connection.

QPD C 4PE2,5 1X9-16 BK - Conductor connectors

1403831

<https://www.phoenixcontact.com/us/products/1403831>



QUICKON cable connector, black, 4+PE-pos., 1.0 mm² ... 2.5 mm² / 690 V / 20 A, for 9 mm ... 16 mm cable diameter.

QPD H 4PE2,5 4X9-16 BK - H distributor

1406369

<https://www.phoenixcontact.com/us/products/1406369>



QPD C 4PE2,5 2X9-16 BK - Conductor connectors

1403836

<https://www.phoenixcontact.com/us/products/1403836>



QUICKON cable connector, black, 4+PE-pos., 1.0 mm² ... 2.5 mm² / 690 V / 20 A, for 9 mm ... 16 mm cable diameter.

QPD T 4PE 2X9-16 BK - T distributor

1405404

<https://www.phoenixcontact.com/us/products/1405404>



QUICKON T-distributor, black, 4+PE-pos., 1.0 mm² ... 2.5 mm²/690 V/20 A, for cable diameter of 9 mm ... 16 mm, with two QUICKON nuts

QPD H 4PE2,5 4X9-16 BK - H distributor

1406369

<https://www.phoenixcontact.com/us/products/1406369>



QPD T 4PE 3X9-16 BK - T distributor

1405402

<https://www.phoenixcontact.com/us/products/1405402>



QUICKON T-distributor, black, 4+PE-pos., 1.0 mm² ... 2.5 mm²/690 V/20 A, for cable diameter of 9 mm ... 16 mm, with three QUICKON nuts

QPD N 4PE2,5 9-16 BK - Nut

1459647

<https://www.phoenixcontact.com/us/products/1459647>



QUICKON nut, black, 4+PE-pos., 1.0 mm² ... 2.5 mm²/690 V/20 A, for cables with 9 mm ... 16 mm diameter.

QPD H 4PE2,5 4X9-16 BK - H distributor

1406369

<https://www.phoenixcontact.com/us/products/1406369>



QPD P 4PE2,5 9-16 BK - Connector

1403782

<https://www.phoenixcontact.com/us/products/1403782>



Connector, product family: QPD, connection method: IDC connection, number of positions: 4+PE, 1 mm² ... 2.5 mm², 690 V, 20 A, PA, black, with QUICKON nut, external cable diameter: 9 mm ... 16 mm

QPD P 4PE2,5 9-16 TL BK - Connector

1039561

<https://www.phoenixcontact.com/us/products/1039561>



Connector, product family: QPD, connection method: IDC connection, number of positions: 4+PE, 1 mm² ... 2.5 mm², 690 V, 20 A, PA, black, with QUICKON nut, external cable diameter: 9 mm ... 16 mm

QPD H 4PE2,5 4X9-16 BK - H distributor

1406369

<https://www.phoenixcontact.com/us/products/1406369>



QSS 27 - Socket wrench

1670646

<https://www.phoenixcontact.com/us/products/1670646>



Allen wrench, for loosening and fastening the QUICKON union nut, WAF 27 mm

Phoenix Contact 2024 © - all rights reserved

<https://www.phoenixcontact.com>

Phoenix Contact USA
586 Fulling Mill Road
Middletown, PA 17057, United States
(+717) 944-1300
info@phoenixcon.com