

SAC-8P-M12MS/ 2,0-28X/M12FS OD - Sensor/actuator cable



1407277

<https://www.phoenixcontact.com/sg/products/1407277>

Please be informed that the data shown in this PDF document is generated from our online catalog. Please find the complete data in the user documentation. Our general terms of use for downloads are valid.



Sensor/actuator cable, 8-position, PE-X halogen-free, black-gray RAL 7021, Plug straight M12, coding: A, on Socket straight M12, coding: A, cable length: 2 m, for outdoor applications, with high-grade steel knurl

Your advantages

- Easy and safe: 100 % electrically tested plug-in components
- Robust throughout: resistant to oil, UV, and ozone, withstands temperatures from -40°C ... +105°C

Commercial data

Item number	1407277
Packing unit	1 pc
Minimum order quantity	1 pc
Note	Made to order (non-returnable)
Sales key	*****
Product key	BF1CFA
Catalog page	Page 157 (C-4-2013)
GTIN	4046356773959
Weight per piece (including packing)	147.8 g
Weight per piece (excluding packing)	147.8 g
Customs tariff number	85444290
Country of origin	PL

SAC-8P-M12MS/ 2,0-28X/M12FS OD - Sensor/actuator cable



1407277

<https://www.phoenixcontact.com/sg/products/1407277>

Technical data

Product properties

Product type	Sensor/actuator cable
Application	External areas
Number of positions	8
No. of cable outlets	1
Shielded	no
Coding	A

Insulation characteristics

Degree of pollution	3
---------------------	---

Material specifications

Flammability rating according to UL 94	V0
Seal material	FPM
Material of grip body	PP
Contact material	CuSn
Contact surface material	Ni/Au
Contact carrier material	PP
Material for screw connection	Stainless steel

Electrical properties

Insulation resistance	$\geq 100 \text{ M}\Omega$
Nominal voltage U_N	30 V AC
	30 V DC
Nominal current I_N	2 A

Mechanical properties

Mechanical data

Insertion/withdrawal cycles	≥ 100
-----------------------------	------------

Signaling

Status display	no
Status display present	No

Connection data

Conductor connection

Tightening torque	0.4 Nm (M12 connector)
-------------------	------------------------

Connector

Connection 1

Type	Plug straight M12
------	-------------------

SAC-8P-M12MS/ 2,0-28X/M12FS OD - Sensor/actuator cable



1407277

<https://www.phoenixcontact.com/sg/products/1407277>

Number of positions	8
Coding type	A


Connection 2

Type	Socket straight M12
Number of positions	8
Coding type	A

Cable/line

Cable length	2 m
--------------	-----

PE-X black [28X]

Dimensional drawing	
Cable weight	65 kg/km
Number of positions	8
Shielded	no
Cable type	PE-X black [28X]
Conductor structure signal line	32x 0.10 mm
AWG signal line	24
Conductor cross section	8x 0.25 mm ²
Wire diameter incl. insulation	1.17 mm ±0.02 mm
External cable diameter	6.80 mm ±0.2 mm
Outer sheath, material	PE-X
External sheath, color	black-gray RAL 7021
Conductor material	Bare Cu litz wires
Material, filler	PP yarn
Material wire insulation	PE-X
Single wire, color	white, brown, green, yellow, gray, pink, blue, red
Thickness, insulation	approx. 0.25 mm (Core insulation)
Thickness, outer sheath	approx. 1.30 mm
Overall twist	8 wires around filler to the core
Length of twist, overall twist	67 mm
Max. conductor resistance	≤ 78 Ω/km (at 20 °C)
Insulation resistance	≥ 100 MΩ*km (at 20 °C)
Nominal voltage, cable	≤ 300 V AC
Test voltage	≥ 3000 V AC (Spark test)
Minimum bending radius, fixed installation	5 x D
Minimum bending radius, flexible installation	10 x D

SAC-8P-M12MS/ 2,0-28X/M12FS OD - Sensor/actuator cable



1407277

<https://www.phoenixcontact.com/sg/products/1407277>

Smallest bending radius, fixed installation	34 mm
Smallest bending radius, movable installation	68 mm
Max. bending cycles	2000000
Minimum bending radius, drag chain applications	10 x D
Traversing path	10 m
Traversing rate	3 m/s
Acceleration	10 m/s ²
Halogen-free	in accordance with DIN VDE 0472 part 815 in accordance with DIN EN 50267-2-1
Flame resistance	According to DIN EN 60332-1-2 according to DIN EN 50266-2-5
Resistance to oil	According to DIN EN 60811-2-1, 168 h at 100°C According to DIN EN 50306
Other resistance	Resistance to fuels (according to IEC 60811, 168 h at 70°C) UV resistant (according to DIN VDE 0276-605)
Special properties	Irradiated
Ambient temperature (operation)	-40 °C ... 105 °C (cable, fixed installation) -15 °C ... 105 °C (Cable, flexible installation) 20 °C ±5 °C (cable, drag chain applications)

Environmental and real-life conditions

Ambient conditions

Degree of protection	IP65 IP67 IP68 IP69K
Ambient temperature (operation)	-40 °C ... 105 °C (Plug / socket) -40 °C ... 85 °C (On sudden changes in temperature (according to IEC 60512-11-4))

Standards and regulations

M12

Standard designation	M12 connector
Standards/specifications	IEC 61076-2-101

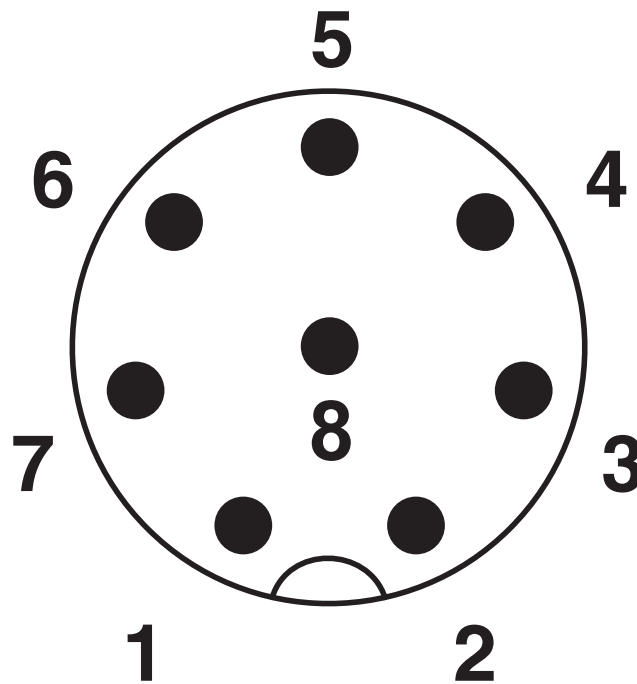
SAC-8P-M12MS/ 2,0-28X/M12FS OD - Sensor/actuator cable

1407277

<https://www.phoenixcontact.com/sg/products/1407277>

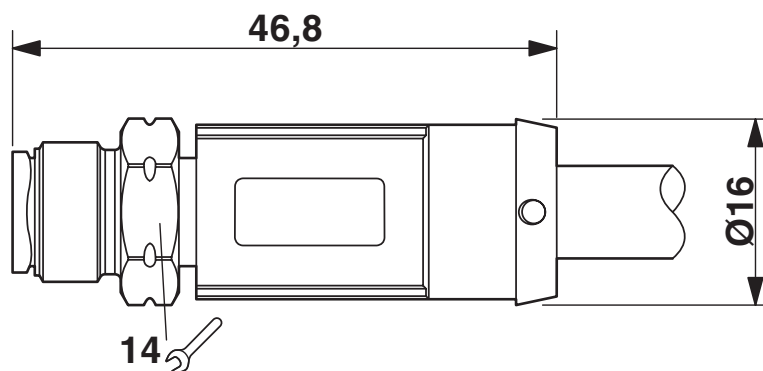
Drawings

Schematic diagram



Pin assignment M12 plug, 8-pos., A-coded, view plug side

Dimensional drawing



Plug, M12 x 1, straight, shielded

SAC-8P-M12MS/ 2,0-28X/M12FS OD - Sensor/actuator cable



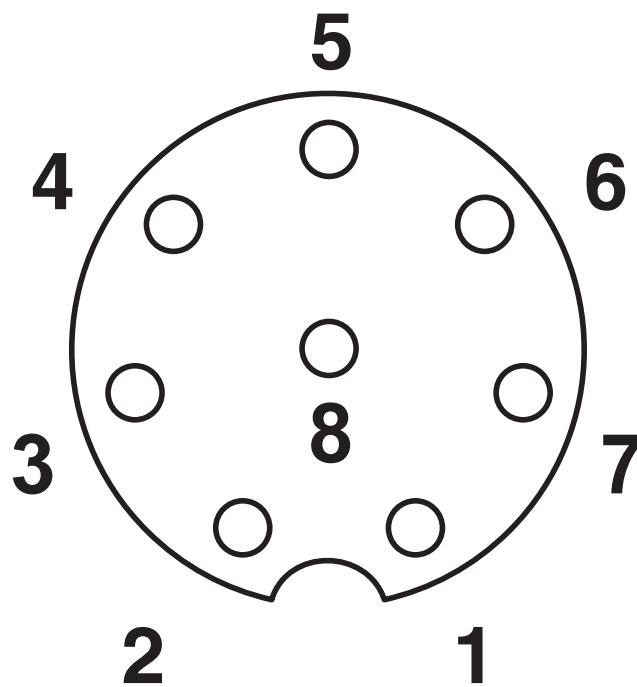
1407277

<https://www.phoenixcontact.com/sg/products/1407277>

Circuit diagram



Schematic diagram



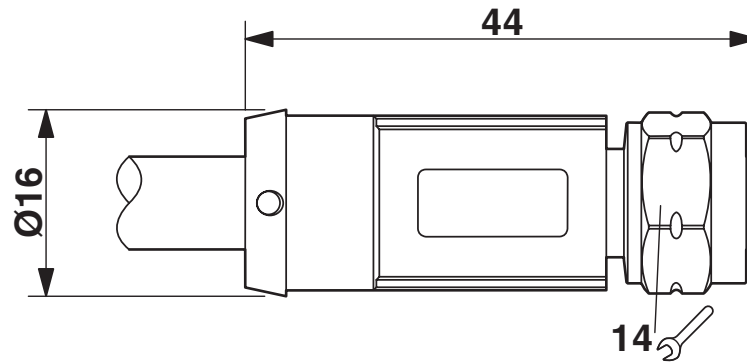
Pin assignment M12 socket, 8-pos., A-coded, view female side

SAC-8P-M12MS/ 2,0-28X/M12FS OD - Sensor/actuator cable

1407277

<https://www.phoenixcontact.com/sg/products/1407277>

Dimensional drawing



M12 x 1 socket, straight

SAC-8P-M12MS/ 2,0-28X/M12FS OD - Sensor/actuator cable



1407277

<https://www.phoenixcontact.com/sg/products/1407277>

Approvals

🔗 To download certificates, visit the product detail page: <https://www.phoenixcontact.com/sg/products/1407277>

DNV

Approval ID: TAE00002K4



EAC-RoHS

Approval ID: RU D-DE.HB35.B.00387

SAC-8P-M12MS/ 2,0-28X/M12FS OD - Sensor/actuator cable



1407277

<https://www.phoenixcontact.com/sg/products/1407277>

Classifications

ECLASS

ECLASS-11.0	27060311
ECLASS-12.0	27060311
ECLASS-13.0	27060311

ETIM

ETIM 9.0	EC001855
----------	----------

UNSPSC

UNSPSC 21.0	26121600
-------------	----------

SAC-8P-M12MS/ 2,0-28X/M12FS OD - Sensor/actuator cable



1407277

<https://www.phoenixcontact.com/sg/products/1407277>

Environmental product compliance

EU RoHS

Fulfills EU RoHS substance requirements	Yes, No exemptions
---	--------------------

China RoHS

Environment friendly use period (EFUP)	EFUP-E
	No hazardous substances above the limits

EU REACH SVHC

REACH candidate substance (CAS No.)	No substance above 0.1 wt%
-------------------------------------	----------------------------

Phoenix Contact 2024 © - all rights reserved
<https://www.phoenixcontact.com>

PHOENIX CONTACT SEA Pte. Ltd.
105 Eunos Avenue 3, #04-00
Singapore 409836
+65 6228 4900
marketing@phoenixcontact.com.sg