

# NBC-MSY/ 2,0-94H SCO - Hybrid cable



1407488

<https://www.phoenixcontact.com/us/products/1407488>

Please be informed that the data shown in this PDF document is generated from our online catalog. Please find the complete data in the user documentation. Our general terms of use for downloads are valid.



Hybrid cable, Ethernet hybrid CAT5 (100 Mbps), 8-position, PUR halogen-free, black RAL 9005, shielded (Tinned copper braided shield), Plug straight M12 SPEEDCON, coding: Y / IP67, on free cable end, cable length: 2 m, Power with Ethernet (PWE)

## Commercial data

Item number	1407488
Packing unit	1 pc
Note	Made to order (non-returnable)
Sales key	BF04
Product key	BF1CML
Catalog page	Page 405 (C-2-2019)
GTIN	4046356777872
Weight per piece (including packing)	198.7 g
Weight per piece (excluding packing)	198.7 g
Customs tariff number	85444210
Country of origin	PL

1407488

<https://www.phoenixcontact.com/us/products/1407488>

## Technical data

### Notes

General	Further products with variable cable type and variable cable length can be found in the accessories section
---------	---

### Product properties

Product type	Data cable preassembled
Application	Standard
Sensor type	Ethernet hybrid
Number of positions	8
No. of cable outlets	1
Shielded	yes
Coding	Y

### Interfaces

Bus system	Ethernet
Signal type/category	Ethernet hybrid CAT5 (IEC 11801), 100 Mbps

### Signaling

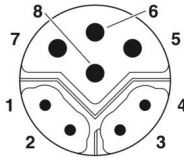
Status display	No
Status display present	No

### Electrical properties

Nominal voltage $U_N$	48 V AC (Power and data)
	50 V DC (Power and data)
Nominal current $I_N$	6 A (Power)
	0.5 A (Data)
Transmission medium	Copper

### Connector

#### Connection 1

Dimensional drawing	 <p>M12 hybrid plug pin assignment, 8-pos., Y-coded, pin side view</p>
Type	M12 Pin, straight, 8-position, AST, Keying: Y
Number of positions	8
Shielded	yes
Signal type/category	EtherCAT <sup>®</sup> CAT5 (IEC 11801), 100 Mbps
	PROFINET CAT5 (IEC 11801), 100 Mbps

# NBC-MSY/ 2,0-94H SCO - Hybrid cable



1407488

<https://www.phoenixcontact.com/us/products/1407488>

Insertion/withdrawal cycles	≥ 100
Insulation resistance	≥ 100 MΩ
Overvoltage category	III
Degree of pollution	3
Tightening torque	0.4 Nm
Contact material	CuZn
Contact surface material	Ni/Au
Contact carrier material	PA 6.6
Material for screw connection	Zinc die-cast, nickel-plated
Seal material	FKM
Flammability rating according to UL 94	V0
Degree of protection	IP65 IP67
Ambient temperature (operation)	-25 °C ... 85 °C
Standard designation	M12 connector
Standards/regulations	IEC 61076-2-113


## Connection 2

Type	free cable end
------	----------------

## Cable/line

Cable length	2 m
--------------	-----

## Ethernet hybrid [94H]

Dimensional drawing	
Cable weight	87 kg/km
UL AWM Style	20963 (80°C/30 V)
Number of positions	8
Shielded	yes
Cable type	Ethernet hybrid [94H]
Conductor structure	1x4xAWG26 + 1x4xAWG20
Conductor structure signal line	19x 0.10 mm
AWG signal line	26
Conductor cross section	4x 0.15 mm <sup>2</sup> (Data) 4x 0.6 mm <sup>2</sup> (Power)
Wire diameter incl. insulation	1.05 mm (Data) 1.4 mm (Power)
External cable diameter	7.60 mm ±0.2 mm

# NBC-MSY/ 2,0-94H SCO - Hybrid cable



1407488

<https://www.phoenixcontact.com/us/products/1407488>

Outer sheath, material	PUR
External sheath, color	black RAL 9005
Conductor material	Bare Cu litz wires
Material wire insulation	PP (Data)
	PP (Power)
Single wire, color	white/orange, orange, white/green, green, white, blue, brown, black
Overall twist	1 star quad and 4 wires with 2 fillers
Optical shield covering	85 %
Insulation resistance	$\geq 5 \text{ G}\Omega\cdot\text{km}$
Loop resistance	$\leq 280.00 \text{ }\Omega/\text{km}$ (Data)
	$\leq 34.60 \text{ }\Omega/\text{km}$ (Power)
Wave impedance	$100 \text{ }\Omega \pm 15 \text{ }\Omega$ (4 MHz ... 100 MHz)
Working capacitance	nom. 50 nF (per kilometer)
Differential impedance	$100 \text{ }\Omega \pm 5 \%$ (at 100 MHz)
Nominal voltage, cable	$\leq 50 \text{ V}$ (Peak value, not for high-power applications)
Test voltage Core/Core	1500 V (50 Hz, 1 min.)
Test voltage Core/Shield	1500.00 V (50 Hz, 1 min.)
Minimum bending radius, fixed installation	5 x D
Minimum bending radius, flexible installation	10 x D
Smallest bending radius, fixed installation	38 mm
Smallest bending radius, movable installation	76 mm
Max. bending cycles	2000000
Tensile strength	70 N (in accordance with DIN EN 50565-1 for flexible installation)
	240 N (in accordance with DIN EN 50565-1 for fixed installation)
Near end crosstalk attenuation (NEXT)	56.3 dB (at 4 MHz)
	50.3 dB (at 10 MHz)
	47.2 dB (at 16 MHz)
	45.8 dB (at 20 MHz)
	42.9 dB (at 31.25 MHz)
	38.4 dB (at 62.5 MHz)
	35.3 dB (at 100 MHz)
Shield attenuation	6 dB (at 4 MHz)
	9.5 dB (at 10 MHz)
	12.1 dB (at 16 MHz)
	13.5 dB (at 20 MHz)
	17.1 dB (at 31.25 MHz)
	24.8 dB (at 62.5 MHz)
	32 dB (at 100 MHz)
	$\geq 80.00 \text{ dB}$ (30 MHz ... 125 MHz)
Halogen-free	according to IEC 60754
	in accordance with DIN VDE 0472 part 815
Flame resistance	in acc. with UL 1581, section 1061
	in acc. with UL 1581, section 1061

# NBC-MSY/ 2,0-94H SCO - Hybrid cable



1407488

<https://www.phoenixcontact.com/us/products/1407488>

Resistance to oil	according to IEC 60811-2-1
	according to VDE 0282 Part 10
Other resistance	Low adhesion
Special properties	Free of substances which would hinder coating with paint or varnish
	Silicone-free
Ambient temperature (operation)	-40 °C ... 90 °C (cable, fixed installation)
	-30 °C ... 70 °C (Cable, flexible installation)

## Environmental and real-life conditions

### Ambient conditions

Degree of protection	IP65
	IP67
	IP65/IP67
Ambient temperature (operation)	-25 °C ... 90 °C (M12 connector)

## Standards and regulations

Standard designation	M12 connector
Standards/specifications	IEC 61076-2-113

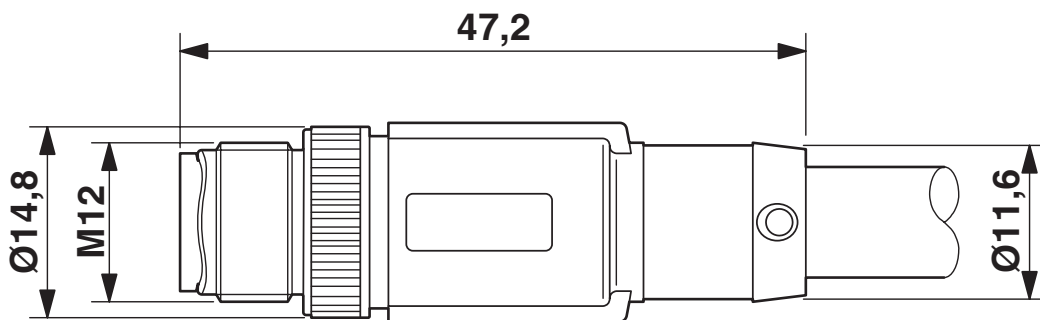
# NBC-MSY/ 2,0-94H SCO - Hybrid cable

1407488

<https://www.phoenixcontact.com/us/products/1407488>

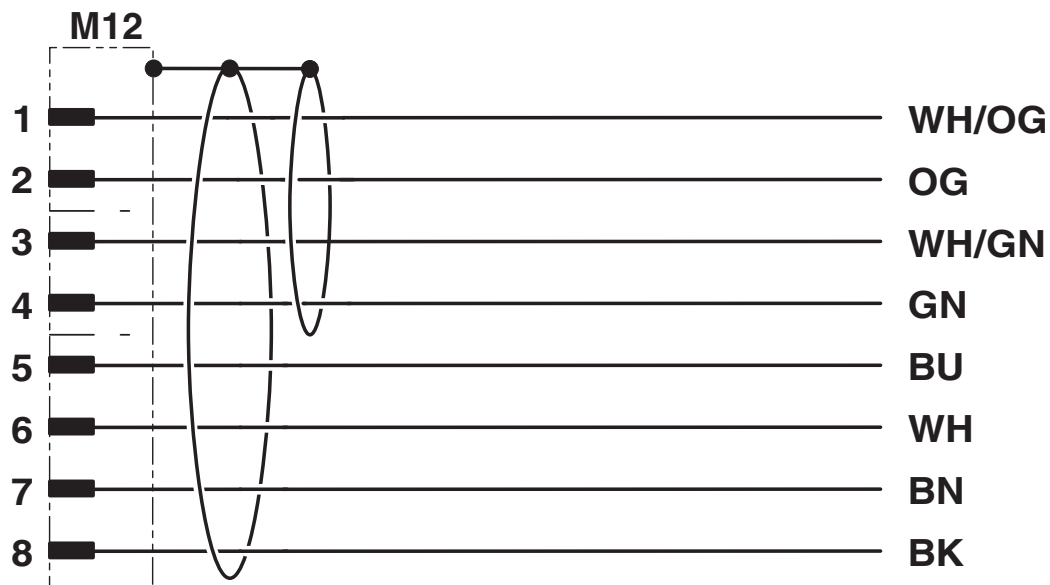
## Drawings

Dimensional drawing



Plug, M12 x 1, straight, shielded

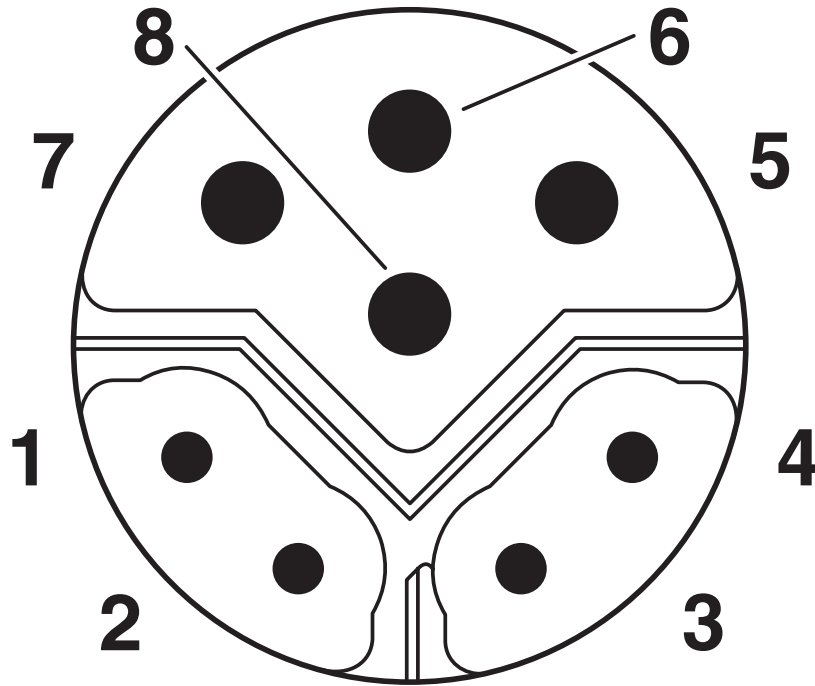
Circuit diagram



1407488

<https://www.phoenixcontact.com/us/products/1407488>

Schematic diagram



M12 hybrid plug pin assignment, 8-pos., Y-coded, pin side view

# NBC-MSY/ 2,0-94H SCO - Hybrid cable



1407488

<https://www.phoenixcontact.com/us/products/1407488>

## Classifications

### ECLASS

ECLASS-11.0	27060307
ECLASS-13.0	27060307

### ETIM

ETIM 8.0	EC001855
----------	----------

### UNSPSC

UNSPSC 21.0	26121600
-------------	----------

# NBC-MSY/ 2,0-94H SCO - Hybrid cable



1407488

<https://www.phoenixcontact.com/us/products/1407488>

## Environmental product compliance

### EU RoHS

Fulfills EU RoHS substance requirements	Yes, No exemptions
---	--------------------

### China RoHS

Environment friendly use period (EFUP)	EFUP-E
	No hazardous substances above the limits

### EU REACH SVHC

REACH candidate substance (CAS No.)	No substance above 0.1 wt%
-------------------------------------	----------------------------

# NBC-MSY/ 2,0-94H SCO - Hybrid cable

1407488

<https://www.phoenixcontact.com/us/products/1407488>



## Accessories

### NBC-MSY SCO-EH/.../... - Hybrid cable

1408642

<https://www.phoenixcontact.com/us/products/1408642>



Hybrid cable, Ethernet hybrid CAT5 (100 Mbps), 8-position, PUR halogen-free, black RAL 9005, shielded (Tinned copper braided shield), Plug straight M12 SPEEDCON, coding: Y / IP67, on free cable end, cable length: Free input (0.2 ... 40.0 m), Power with Ethernet (PWE)

---

### PROT-M12 FS-PA-CHAIN - Sealing cap

1430873

<https://www.phoenixcontact.com/us/products/1430873>

M12 sealing cap made of plastic with fixing band, for sensor cables, for free M12 plugs



## NBC-MSY/ 2,0-94H SCO - Hybrid cable

1407488

<https://www.phoenixcontact.com/us/products/1407488>



## SAC-M12-EXCLIP-M - Locking clip

1558988

<https://www.phoenixcontact.com/us/products/1558988>



Locking clip for the pin side of sensor/actuator cables with M12 connector and M12 connectors for assembly, for knurl diameter: 15 mm or for Allen key with a wrench size of 14 mm, prevents the disconnection of plug-in connections without tools

---

## WP-CTA POM 13,0 BK - Protective hose adapter

1422884

<https://www.phoenixcontact.com/us/products/1422884>



Protective hose adapter, for corrugated hoses with a nominal size of 13 (10 x 13), corrugated in parallel

# NBC-MSY/ 2,0-94H SCO - Hybrid cable

1407488

<https://www.phoenixcontact.com/us/products/1407488>



## WP-PA HF 13,0 BK - Protective hose

3240681

<https://www.phoenixcontact.com/us/products/3240681>



Protective hose, material: PA 6, UV-resistant: yes, flexible, degree of protection: IP68, color: black, flammability rating in acc. with UL 94: V0, inner diameter: 10 mm, Total length: 50 m

---

## WP-PA HF-HB 13,0 BK - Protective hose

3240839

<https://www.phoenixcontact.com/us/products/3240839>



Protective hose, material: PA 6, UV-resistant: yes, flexible, degree of protection: IP68, color: black, flammability rating in acc. with UL 94: HB, inner diameter: 10 mm, Total length: 50 m

# NBC-MSY/ 2,0-94H SCO - Hybrid cable



1407488

<https://www.phoenixcontact.com/us/products/1407488>

## TSD 04 SAC - Torque screwdriver

1208429

<https://www.phoenixcontact.com/us/products/1208429>



Torque screwdriver, with preset torque of 0.4 Nm and 4 mm hexagonal drive for M12 connectors

---

## TSD-M 1,2NM - Torque screwdriver

1212224

<https://www.phoenixcontact.com/us/products/1212224>



Torque screw driver, accuracy as per EN ISO 6789 standard, adjustable from 0.3 - 1.2 Nm

# NBC-MSY/ 2,0-94H SCO - Hybrid cable



1407488

<https://www.phoenixcontact.com/us/products/1407488>

## TSD-M SAC-BIT ADAPTER - Adapter insert

1212600

<https://www.phoenixcontact.com/us/products/1212600>



Adapter bit for TSD-M...torque tools, E6.3-1/4" drive with 4 mm hexagon to accommodate SAC bits

---

## SAC BIT M12-D15 - Tool

1208432

<https://www.phoenixcontact.com/us/products/1208432>



Nut for assembling sensor/actuator cables with M12 connector and M12 connectors for assembly, with a knurl diameter of 15 mm, for 4 mm hexagonal drive

# NBC-MSY/ 2,0-94H SCO - Hybrid cable



1407488

<https://www.phoenixcontact.com/us/products/1407488>

## CUTFOX 12 - Cable-cutting tool

1212128

<https://www.phoenixcontact.com/us/products/1212128>



**Cable cutter**, for copper and aluminum up to 12 mm diameter (up to 35 mm<sup>2</sup>)

---

## CUTFOX-S VDE - Diagonal cutter

1212207

<https://www.phoenixcontact.com/us/products/1212207>



Diagonal cutter for hard (piano wire) and soft wires, VDE 1000 V AC/1500 V DC tested

## NBC-MSY/ 2,0-94H SCO - Hybrid cable

1407488

<https://www.phoenixcontact.com/us/products/1407488>



## VS-CABLE-STRIP-VARIO - Stripping tool

1657407

<https://www.phoenixcontact.com/us/products/1657407>

Stripping tool, for the multi-level stripping of shielded cables



---

## MICROFOX-SP-1 - Diagonal cutter

1212487

<https://www.phoenixcontact.com/us/products/1212487>

Electronic diagonal cutter, tapered head, without chamfer, with opening spring, non-reflective phosphate-treated surface, punched version



# NBC-MSY/ 2,0-94H SCO - Hybrid cable



1407488

<https://www.phoenixcontact.com/us/products/1407488>

## WIREFOX 4 - Stripping tool

1212156

<https://www.phoenixcontact.com/us/products/1212156>



Stripping tool, for cables and conductors (especially for rubber and silicone insulations) from 0.1 - 4 mm<sup>2</sup>, self-adjusting, stripping length of up to 18 mm, cutting capacity of up to 10 mm<sup>2</sup> stranded/1.5 mm<sup>2</sup> solid, replaceable stripping blade

---

## WIREFOX-E 4 - Stripping tool

1212704

<https://www.phoenixcontact.com/us/products/1212704>



Stripping tool, for cables and conductors (especially for rubber and silicone insulations) from 0.1 - 4 mm<sup>2</sup>, self-adjusting, stripping length of up to 18 mm, cutting capacity of up to 10 mm<sup>2</sup> stranded/1.5 mm<sup>2</sup> solid, replaceable stripping blade

# NBC-MSY/ 2,0-94H SCO - Hybrid cable



1407488

<https://www.phoenixcontact.com/us/products/1407488>

## WIREFOX 10 - Stripping tool

1212150

<https://www.phoenixcontact.com/us/products/1212150>



Stripping tool, for cables and conductors from 0.02 - 10 mm<sup>2</sup>, self-adjusting, stripping length of up to 18 mm, cutting capacity of up to 10 mm<sup>2</sup> stranded/1.5 mm<sup>2</sup> solid, replaceable stripping blade

---

Phoenix Contact 2024 © - all rights reserved

<https://www.phoenixcontact.com>

Phoenix Contact USA

586 Fulling Mill Road

Middletown, PA 17057, United States

(+717) 944-1300

[info@phoenixcon.com](mailto:info@phoenixcon.com)