

# HC-EVO-B24-CHWS-PLRBK - Housing



1407667

<https://www.phoenixcontact.com/sg/products/1407667>

Please be informed that the data shown in this PDF document is generated from our online catalog. Please find the complete data in the user documentation. Our general terms of use for downloads are valid.



Coupling housings B24, with single locking latch, material: PA, cable outlets: 1, straight/lateral, height: 90 mm, cable gland: none, Standard

## Your advantages

- Flexible cable outlet direction, lateral or straight
- Lower costs than metal version
- Low weight
- Lower risk of condensation

## Commercial data

Item number	1407667
Packing unit	1 pc
Minimum order quantity	1 pc
Sales key	*****
Product key	BF7APL
Catalog page	Page 632 (C-2-2019)
GTIN	4046356777308
Weight per piece (including packing)	167.3 g
Weight per piece (excluding packing)	165.2 g
Customs tariff number	85389099
Country of origin	PL

# HC-EVO-B24-CHWS-PLRBK - Housing



1407667

<https://www.phoenixcontact.com/sg/products/1407667>

## Technical data

### Notes

General	For contact inserts HC-B24, BB46, D64, DD108, M, K, HV10-I-PT, HV 10-E...C
---------	--

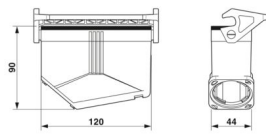
### Product properties

Product type	Housing with locking latch
Housing type	Coupling housings
Product family	HC-EVO-B
Application	Standard
Type	B24
No. of cable outlets	1
Type	Tall design
Cable outlet	straight
Pg screw connection	none

### Data management status

Article revision	03
------------------	----

### Dimensions

Dimensional drawing	
Width	44 mm
Height	90 mm
Length	120 mm

### Material specifications

Flammability rating according to UL 94	V0 (Housing) V0 (Interlock)
Seal material	NBR
Housing material	PA
Locking latch material	PA

### Mechanical properties

#### Mechanical data

Locking type	Latch
--------------	-------

### Mounting

Assembly note	The coupling housing must be supplemented with the EVO screw connection. The EVO screw connection is available in four sizes.
---------------	---

# HC-EVO-B24-CHWS-PLRBK - Housing



1407667

<https://www.phoenixcontact.com/sg/products/1407667>

The EVO screw connection is mounted with the aid of a pipe wrench, for example.

## Environmental and real-life conditions

### Ambient conditions

Degree of protection	IP66
Enclosure rating (NEMA)	12 (UL 50e)
Impact strength	IK08
Ambient temperature (operation)	-40 °C ... 125 °C

# HC-EVO-B24-CHWS-PLRBK - Housing

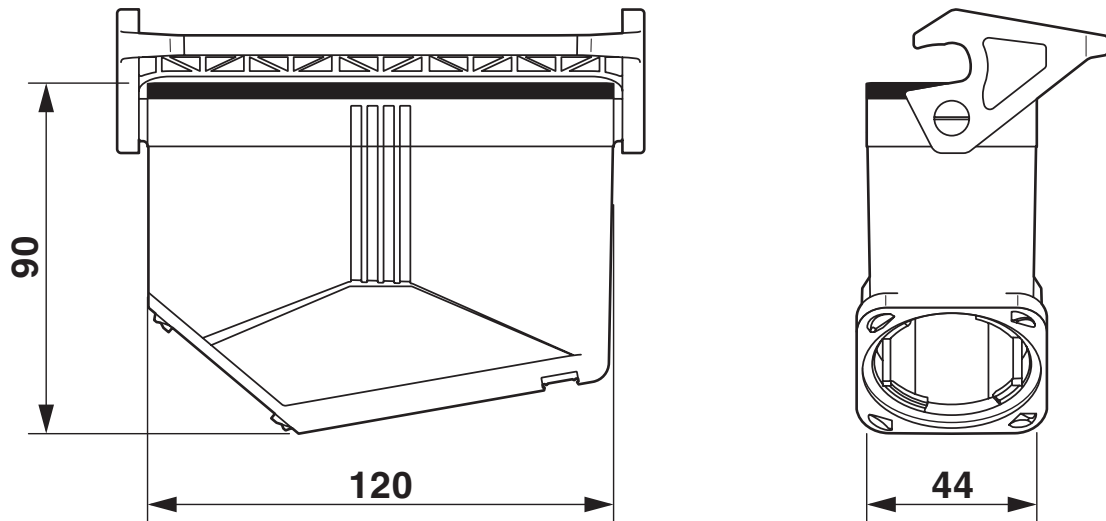
1407667

<https://www.phoenixcontact.com/sg/products/1407667>



## Drawings

Dimensional drawing



Dimensional drawing

1407667

<https://www.phoenixcontact.com/sg/products/1407667>

## Approvals

To download certificates, visit the product detail page: <https://www.phoenixcontact.com/sg/products/1407667>

**DNV**

Approval ID: TAE000037S



**cUL Recognized**

Approval ID: E255026



**UL Recognized**

Approval ID: E255026



**EAC**

Approval ID: RU C-DE.AI30.B.01102



**EAC**

Approval ID: RU C-DE.BL08.B.00511

**cULus Recognized**

# HC-EVO-B24-CHWS-PLRBK - Housing



1407667

<https://www.phoenixcontact.com/sg/products/1407667>

## Classifications

### ECLASS

ECLASS-11.0	27440202
ECLASS-12.0	27440202
ECLASS-13.0	27440202

### ETIM

ETIM 9.0	EC000437
----------	----------

### UNSPSC

UNSPSC 21.0	31261500
-------------	----------

1407667

<https://www.phoenixcontact.com/sg/products/1407667>

## Environmental product compliance

### EU RoHS

Fulfills EU RoHS substance requirements	Yes, No exemptions
---	--------------------

### China RoHS

Environment friendly use period (EFUP)	EFUP-E
	No hazardous substances above the limits

### EU REACH SVHC

REACH candidate substance (CAS No.)	No substance above 0.1 wt%
-------------------------------------	----------------------------

Phoenix Contact 2024 © - all rights reserved  
<https://www.phoenixcontact.com>

PHOENIX CONTACT SEA Pte. Ltd.  
105 Eunos Avenue 3, #04-00  
Singapore 409836  
+65 6228 4900  
[marketing@phoenixcontact.com.sg](mailto:marketing@phoenixcontact.com.sg)