

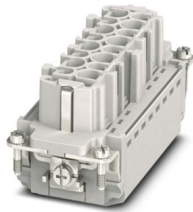
HC-HV06-I-PT-F - Contact insert



1407744

<https://www.phoenixcontact.com/us/products/1407744>

Please be informed that the data shown in this PDF document is generated from our online catalog. Please find the complete data in the user documentation. Our general terms of use for downloads are valid.



Contact insert, number of positions: 6+2+PE, size: B16, power contacts: 6, control contacts: 2, number of connections per position: 1, Socket, Push-in connection, 690 V, 16 A, 0.14 mm² ... 2.5 mm², application: Power

Your advantages

- Easy installation without tools, even when mounted, with push-in connection technology
- Shortest installation time compared to other connection technologies
- Quick and effortless wiring, in particular when space is tight
- Automatic cabling with robots possible
- Safe wiring and operation with color-coded actuators
- Shock and vibration-resistant in accordance with DIN EN 61373
- Cost-effective and fast coding with plastic profiles

Commercial data

Item number	1407744
Packing unit	1 pc
Minimum order quantity	1 pc
Sales key	BF61
Product key	BF7ABG
Catalog page	Page 559 (C-2-2019)
GTIN	4046356777490
Weight per piece (including packing)	74.4 g
Weight per piece (excluding packing)	74.4 g
Customs tariff number	85366990
Country of origin	CN

HC-HV06-I-PT-F - Contact insert



1407744

<https://www.phoenixcontact.com/us/products/1407744>

Technical data

Notes

General	only use flexible conductors with ferrules
General	Connectors may be operated only when there is no load/voltage.

Mounting

Assembly instructions	To ensure correct use, installation in housing with IP54 protection or better is required
-----------------------	---

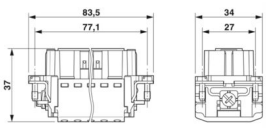
Product properties

Product type	Contact insert with a fixed no. of positions
Series	HC-HV
Application	Power
Type	B16 B32
Number of positions	8
Connection profile	6+2+PE
Number of connections per position	1
No. of power contacts	6
No. of control contacts	2

Insulation characteristics

Overvoltage category	III
Degree of pollution	3

Dimensions

Dimensional drawing	
Width	34 mm
Height	34.6 mm
Length	84 mm
Drill hole distance, horizontal	77.5 mm

Mechanical characteristics

Contact diameter	2.5 mm
------------------	--------

Connection data

Connection technology

Connection technology	Push-in connection (power contacts) Push-in connection (control contacts)
Number of connections per position	1

HC-HV06-I-PT-F - Contact insert



1407744

<https://www.phoenixcontact.com/us/products/1407744>

Conductor connection

Conductor cross section	0.14 mm ² ... 2.5 mm ² (power contacts)
	0.14 mm ² ... 2.5 mm ² (control contacts)
Connection cross section AWG	26 ... 14 (power contacts)
	26 ... 14 (control contacts)
Tightening torque	0.8 Nm ... 1.2 Nm (PE connection)
	0.5 Nm ... 0.8 Nm (Mounting screws for mounting in the HEAVYCON housing)
Stripping length	8 mm ... 10 mm (power contacts)
	8 mm ... 10 mm (control contacts)

Electrical properties

Rated voltage (III/2) contacts	830 V
Rated voltage (III/3)	690 V
Rated surge voltage (III/2)	8 kV
Rated surge voltage (III/3)	6 kV
Rated surge voltage	8 kV (power contacts)
	6 kV (control contacts)
Rated current	16 A
	16 A
SCCR	5 kA (UL 2237)

Mechanical properties

Mechanical data

Insertion/withdrawal cycles	≥ 500
-----------------------------	-------

Material specifications

Flammability rating according to UL 94	V0
Contact material	Copper alloy
Contact carrier material	PC
Material of contact surface, power contact	Ag
Material of contact surface, control contact	Ag
Standards/regulations	PC: Fire protection in rail vehicles - requirement sets R22, R23, and R24 acc. to DIN EN 45545-2 (Risk level HL1 - HL3)

Environmental and real-life conditions

Ambient conditions

Ambient temperature (operation)	-40 °C ... 125 °C (including heating up of contacts)
---------------------------------	--

Standards and regulations

Testing

Standards/regulations	PC: Fire protection in rail vehicles - requirement sets R22, R23, and R24 acc. to DIN EN 45545-2 (Risk level HL1 - HL3)
-----------------------	---

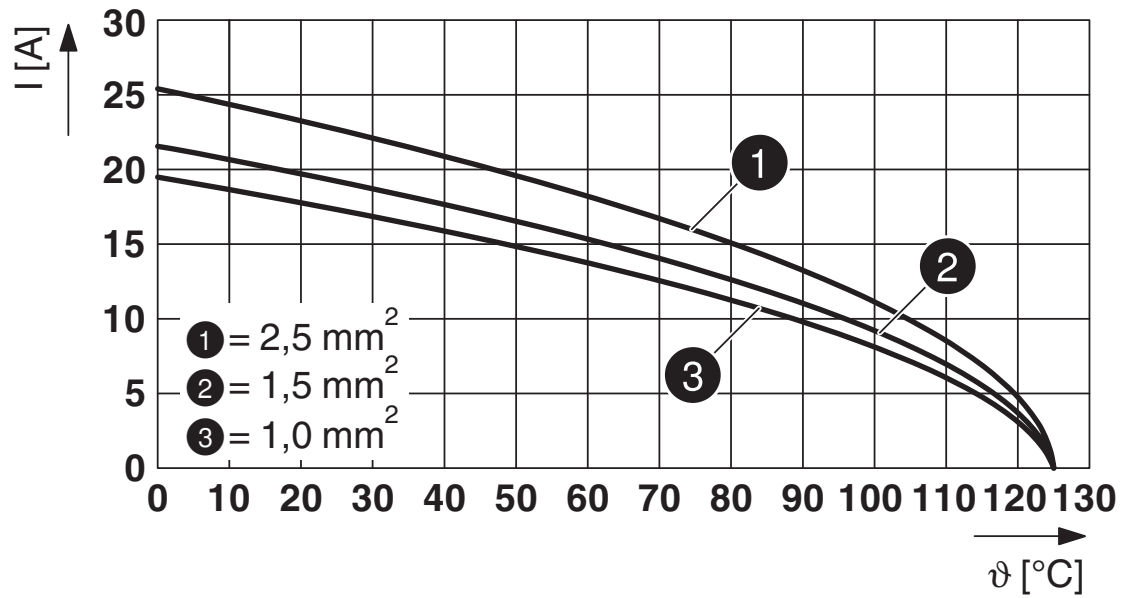
HC-HV06-I-PT-F - Contact insert

1407744

<https://www.phoenixcontact.com/us/products/1407744>

Drawings

Diagram



Derating diagram

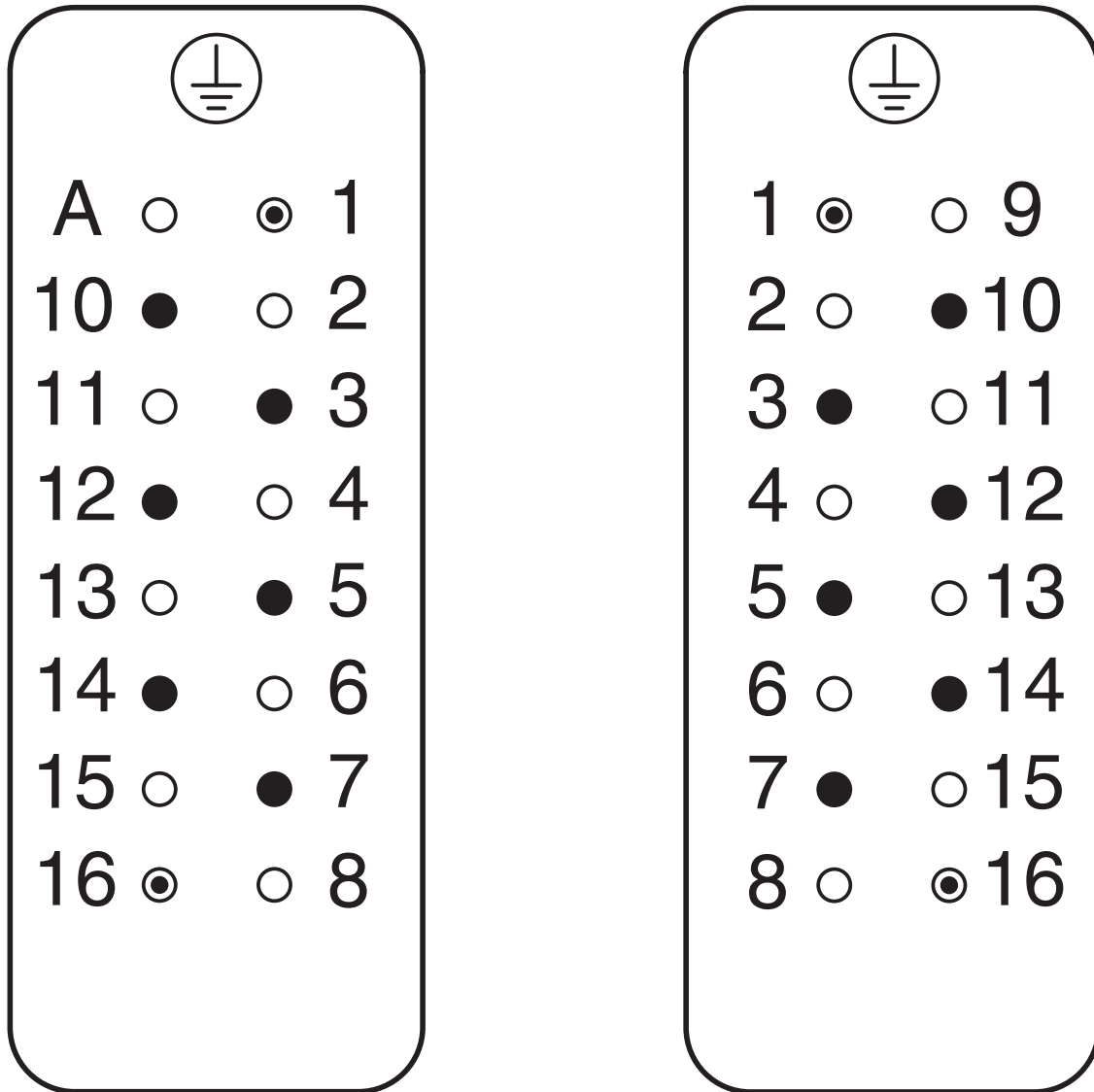
HC-HV06-I-PT-F - Contact insert



1407744

<https://www.phoenixcontact.com/us/products/1407744>

Schematic diagram



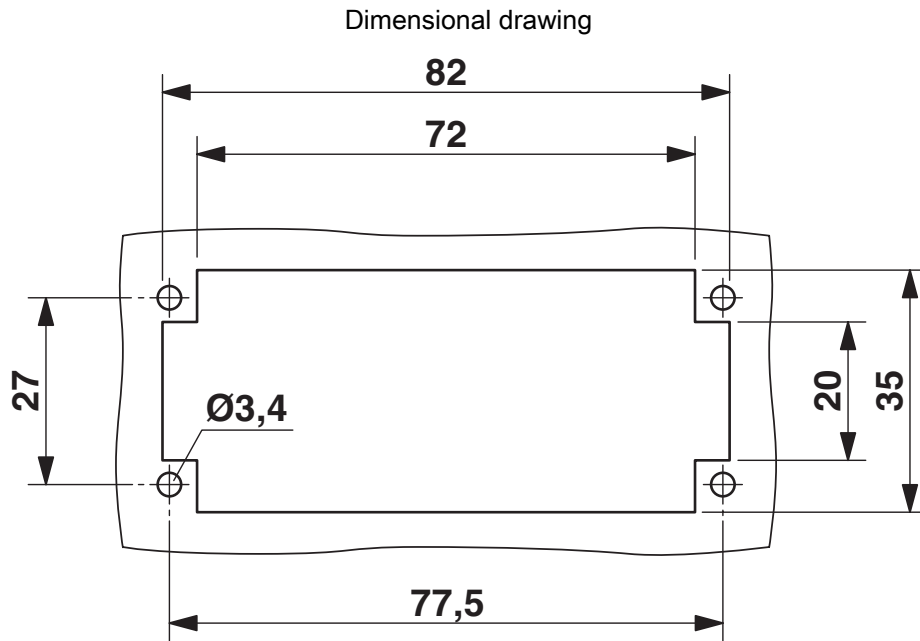
View termination side

HC-HV06-I-PT-F - Contact insert

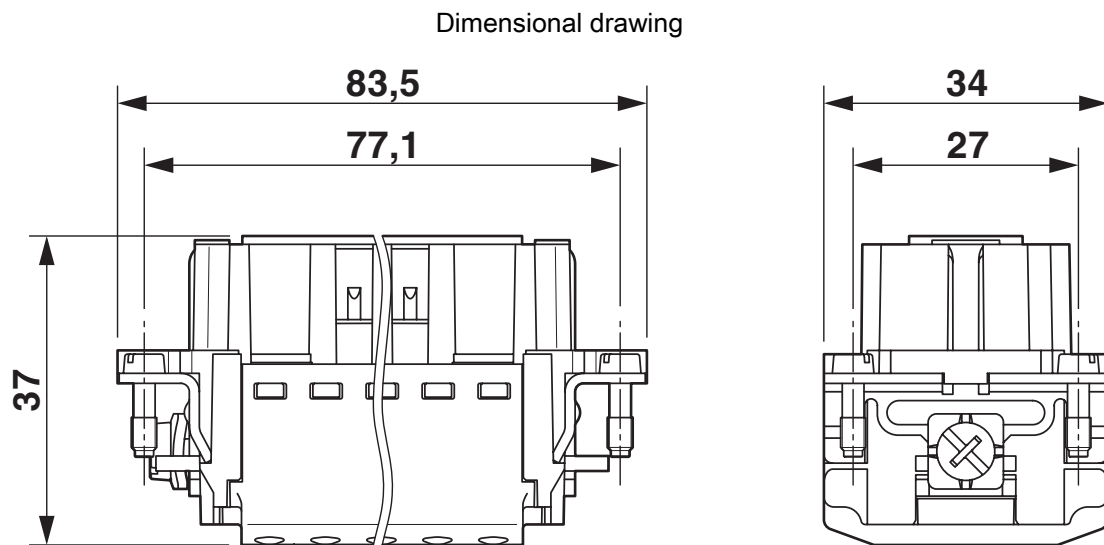


1407744

<https://www.phoenixcontact.com/us/products/1407744>



Mounting cutout when used without housing



Dimensional drawing

HC-HV06-I-PT-F - Contact insert



1407744

<https://www.phoenixcontact.com/us/products/1407744>

Approvals

To download certificates, visit the product detail page: <https://www.phoenixcontact.com/us/products/1407744>

DNV

Approval ID: TAE000037S



CSA

Approval ID: 013631_0_000

	Nominal voltage U_N	Nominal current I_N	Cross section AWG	Cross section mm^2
	600 V	16 A	- 14	-



UL Recognized

Approval ID: E118976

	Nominal voltage U_N	Nominal current I_N	Cross section AWG	Cross section mm^2
	600 V	20 A	- 14	-



EAC

Approval ID: RU C-DE.BL08.B.00511



cULus Recognized

Approval ID: E468743

	Nominal voltage U_N	Nominal current I_N	Cross section AWG	Cross section mm^2
	600 V	20 A	- 14	-

HC-HV06-I-PT-F - Contact insert



1407744

<https://www.phoenixcontact.com/us/products/1407744>

Classifications

ECLASS

ECLASS-11.0	27440205
ECLASS-12.0	27440205
ECLASS-13.0	27440205

ETIM

ETIM 9.0	EC000438
----------	----------

UNSPSC

UNSPSC 21.0	39121500
-------------	----------

HC-HV06-I-PT-F - Contact insert



1407744

<https://www.phoenixcontact.com/us/products/1407744>

Environmental product compliance

China RoHS	Environmentally friendly use period: unlimited = EFUP-e
	No hazardous substances above threshold values

HC-HV06-I-PT-F - Contact insert

1407744

<https://www.phoenixcontact.com/us/products/1407744>



Accessories

CP-HC - Coding profile

1686478

<https://www.phoenixcontact.com/us/products/1686478>



Coding profile, 4 coding profiles per strip, for insertion in coding keyways

HC-CB - Coding bolt

1772722

<https://www.phoenixcontact.com/us/products/1772722>



Coding pin, prevents mismatching of up to six connectors with an identical number of positions

HC-HV06-I-PT-F - Contact insert

1407744

<https://www.phoenixcontact.com/us/products/1407744>



HC-CST - Coding element

1676857

<https://www.phoenixcontact.com/us/products/1676857>



Coding peg for coding up to 16 connectors

HC-CBU - Coding element

1676860

<https://www.phoenixcontact.com/us/products/1676860>



Coding socket for coding up to 16 connectors

HC-HV06-I-PT-F - Contact insert

1407744

<https://www.phoenixcontact.com/us/products/1407744>



HC-B-PE-PT - Adapter

1054672

<https://www.phoenixcontact.com/us/products/1054672>

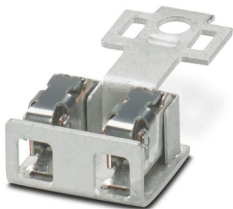


PE adapter with PT connection, for 1 PE connection, for HC-B / HC-BB / HC-DD / HC-D40 / HC-D64 contact inserts

HC-B-2PE-PT - PE multiplier

1054675

<https://www.phoenixcontact.com/us/products/1054675>



PE adapter with PT connection, for 2 PE connections, for HC-B / HC-BB / HC-DD / HC-D40 / HC-D64 contact inserts

HC-HV06-I-PT-F - Contact insert

1407744

<https://www.phoenixcontact.com/us/products/1407744>



HC-B-PES - Screw

1604997

<https://www.phoenixcontact.com/us/products/1604997>

PE screw, for contact inserts HC-B / HC-BB / HC-DD / HC-D40 / HC-D64



HC-B-ZG - Strain relief clamp

1685327

<https://www.phoenixcontact.com/us/products/1685327>

Strain relief clamps contact inserts of series: B-, BB-, D 40, D 64, DD and HV, straight cable exit



HC-HV06-I-PT-F - Contact insert

1407744

<https://www.phoenixcontact.com/us/products/1407744>



HC-B-ZS - Strain relief clamp

1685330

<https://www.phoenixcontact.com/us/products/1685330>



Strain relief clamps contact inserts of series: B-, BB-, D 40, D 64, DD and HV, lateral cable exit

HC-CIF-B16-HFWL-PL - DIN rail mounting frame

1424336

<https://www.phoenixcontact.com/us/products/1424336>



DIN rail mounting frame, design: B16, for contact inserts, Top frame

HC-HV06-I-PT-F - Contact insert

1407744

<https://www.phoenixcontact.com/us/products/1407744>



HC-B 16-ANDOCK - Docking frame

1586138

<https://www.phoenixcontact.com/us/products/1586138>



Docking frame for racks, for contact inserts of B16 type, with four M5 flat headed screws, rack balance x/y axis ± 1.5 mm

HC-CIF-B06-24-BFAFL-PL - DIN rail mounting frame

1424338

<https://www.phoenixcontact.com/us/products/1424338>



DIN rail mounting frame, design: B6 - B24, for contact inserts, Base frame

HC-HV06-I-PT-F - Contact insert

1407744

<https://www.phoenixcontact.com/us/products/1407744>



HC-B24/16-ADP-SS - Adapter plate

1034216

<https://www.phoenixcontact.com/us/products/1034216>

Adapter plate, design: B24 to B16

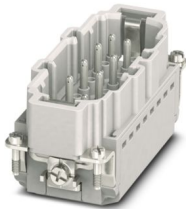


HC-HV06-I-PT-M - Contact insert

1407740

<https://www.phoenixcontact.com/us/products/1407740>

Contact insert, number of positions: 6+2+PE, size: B16, power contacts: 6, control contacts: 2, number of connections per position: 1, Pin, Push-in connection, 690 V, 16 A, 0.14 mm² ... 2.5 mm², application: Power



HC-HV06-I-PT-F - Contact insert

1407744

<https://www.phoenixcontact.com/us/products/1407744>



CF CRIMPHANDY 0,5 - Electrical crimping tool

1212463

<https://www.phoenixcontact.com/us/products/1212463>



Mobile handheld device, battery-powered, for processing on-tape ferrules 0.5 mm² with functional end, suitable for PVC insulated conductors (H05V-K), incl. battery, charger, CUTFOX 12 cable cutter, waste guide plate 2, service tool for error correction, and one strip of ferrules 0.5 mm², packed in a robust case.

CF CRIMPHANDY 0,75 - Electrical crimping tool

1212464

<https://www.phoenixcontact.com/us/products/1212464>



Mobile handheld device, battery-powered, for processing on-tape ferrules 0.75 mm² with functional end, suitable for PVC insulated conductors (H05V-K), incl. battery, charger, CUTFOX 12 cable cutter, waste guide plate 2, service tool for error correction, and one strip of ferrules 0.75 mm², packed in a robust case.

HC-HV06-I-PT-F - Contact insert

1407744

<https://www.phoenixcontact.com/us/products/1407744>



CF CRIMPHANDY 1,0 - Electrical crimping tool

1212465

<https://www.phoenixcontact.com/us/products/1212465>



Mobile handheld device, battery-powered, for processing on-tape ferrules 1.0 mm² with functional end, suitable for PVC insulated conductors (H05V-K), incl. battery, charger, CUTFOX 12 cable cutter, waste guide plate 2, service tool for error correction, and one strip of ferrules 1.0 mm², packed in a robust case.

CF CRIMPHANDY 1,5 - Electrical crimping tool

1212466

<https://www.phoenixcontact.com/us/products/1212466>



Mobile handheld device, battery-powered, for processing on-tape ferrules 1.5 mm² with functional end, suitable for PVC insulated conductors (H07V-K), incl. battery, charger, CUTFOX 12 cable cutter, waste guide plate 2, service tool for error correction, and one strip of ferrules 1.5 mm², packed in a robust case.

HC-HV06-I-PT-F - Contact insert

1407744

<https://www.phoenixcontact.com/us/products/1407744>



CRIMPFOX 6 - Crimping pliers

1212034

<https://www.phoenixcontact.com/us/products/1212034>



Crimping pliers, for ferrules without insulating collar according to DIN 46228 Part 1 and ferrules with insulating collar according to DIN 46228 Part 4, 0.25 mm² ... 6.0 mm², lateral entry, trapezoidal crimp

CRIMPFOX CENTRUS 10S - Crimping pliers

1213154

<https://www.phoenixcontact.com/us/products/1213154>



Crimping pliers, for uninsulated and insulated ferrules, DIN 46228 Part 1 and 4, from 0.14 mm² ... 10 mm², also for TWIN ferrules up to 2 x 4 mm², automatic cross section adjustment, lateral insertion, equipped with fall protection

HC-HV06-I-PT-F - Contact insert

1407744

<https://www.phoenixcontact.com/us/products/1407744>



CRIMPFOX CENTRUS 6S - Crimping pliers

1213144

<https://www.phoenixcontact.com/us/products/1213144>



Crimping pliers, for uninsulated and insulated ferrules, DIN 46228 Part 1 and 4, from 0.14 mm² ... 6 mm², also for TWIN ferrules up to 2 x 4 mm², automatic cross section adjustment, lateral insertion, equipped with fall protection

Phoenix Contact 2024 © - all rights reserved

<https://www.phoenixcontact.com>

Phoenix Contact USA
586 Fulling Mill Road
Middletown, PA 17057, United States
(+717) 944-1300
info@phoenixcon.com