

SAC-HZ-4P-MS/0,5-542/FSSHSCOBK - Sensor/actuator cable



1409539

<https://www.phoenixcontact.com/us/products/1409539>

Please be informed that the data shown in this PDF document is generated from our online catalog. Please find the complete data in the user documentation. Our general terms of use for downloads are valid.

Sensor/actuator cable, 4-position, PVC, yellow, shielded (Tinned copper braided shield), Plug straight M12, coding: A, on Socket straight M12, coding: A, cable length: 0.5 m



Commercial data

Item number	1409539
Packing unit	1 pc
Minimum order quantity	1 pc
Note	Made to order (non-returnable)
Sales key	BF13
Product key	BF1IGB
GTIN	4055626017952
Weight per piece (including packing)	75 g
Weight per piece (excluding packing)	75 g
Customs tariff number	85444290
Country of origin	US

SAC-HZ-4P-MS/0,5-542/FSSHSCOBK - Sensor/actuator cable



1409539

<https://www.phoenixcontact.com/us/products/1409539>

Technical data

Notes

General	These cable assemblies are UL/cUL listed for use in Class I, Division 2 (CID2) hazardous locations.
---------	---

Product properties

Product type	Sensor/actuator cable
Number of positions	4
Application	U.S. cables for hazardous locations
No. of cable outlets	1
Shielded	yes
Coding	A

Insulation characteristics

Overvoltage category	II
Degree of pollution	3

Material specifications

Flammability rating according to UL 94	HB
Material of grip body	TPU, hardly inflammable, self-extinguishing
Contact material	CuSn
Contact surface material	Ni/Au
Contact carrier material	TPU GF
Material for screw connection	Zinc die-cast, nickel-plated
Outer sheath, material	PVC

Electrical properties

Insulation resistance	≥ 100 MΩ
Nominal voltage U_N	48 V AC 60 V DC
Nominal current I_N	4 A
Protective circuit	unwired

Signaling

Status display	No
Status display present	No

Connection data

Conductor connection

Tightening torque	0.4 Nm (M12 connector)
-------------------	------------------------

Connector

Connection 1

SAC-HZ-4P-MS/0,5-542/FSSHSCOBK - Sensor/actuator cable



1409539

<https://www.phoenixcontact.com/us/products/1409539>

Type	Plug straight M12
Number of positions	4
Coding type	A

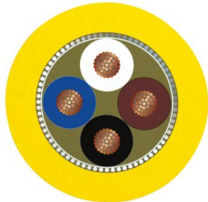
Connection 2

Type	Socket straight M12
Number of positions	4
Coding type	A

Cable/line

Cable length	0.5 m
--------------	-------

PVC yellow 105 °C [542]

Dimensional drawing	
Cable weight	48 kg/km
UL AWM Style	2517 (105 °C / 300 V)
Number of positions	4
Shielded	yes
Cable type	PVC yellow 105 °C [542]
Conductor structure signal line	30x 1.30 mm
AWG signal line	22
Wire diameter incl. insulation	1.27 mm ±0.03 mm
External cable diameter	5.50 mm ±0.2 mm
Outer sheath, material	PVC
External sheath, color	yellow
Conductor material	Tin-plated Cu litz wires
Material wire insulation	PVC
Single wire, color	brown, blue, black, white
Overall twist	4 wires, twisted
Optical shield covering	85 %
Max. conductor resistance	max. 50.5 Ω/km (20 °C)
Insulation resistance	≥ (550 M Ohms/m @ 500V)
Nominal voltage, cable	300 V
Minimum bending radius, flexible installation	12 x D
Smallest bending radius, movable installation	66 mm
Flame resistance	FT4
Other resistance	UV resistant
Special properties	UL standards PLTC and ITC

SAC-HZ-4P-MS/0,5-542/FSSHSCOBK - Sensor/actuator cable



1409539

<https://www.phoenixcontact.com/us/products/1409539>

Ambient temperature (operation)	-30 °C ... 105 °C (cable, fixed installation)
	-5 °C ... 105 °C (Cable, flexible installation)

Environmental and real-life conditions

Ambient conditions

Degree of protection	IP65
	IP67
Ambient temperature (operation)	-25 °C ... 90 °C (Plug / socket)

Approvals

Conformity/Approvals

UL, USA / Canada	Class I, Div. 2, Groups A, B, C, D
------------------	------------------------------------

Standards and regulations

Standard designation	M12 connector
Standards/specifications	IEC 61076-2-101

SAC-HZ-4P-MS/0,5-542/FSSHSCOBK - Sensor/actuator cable

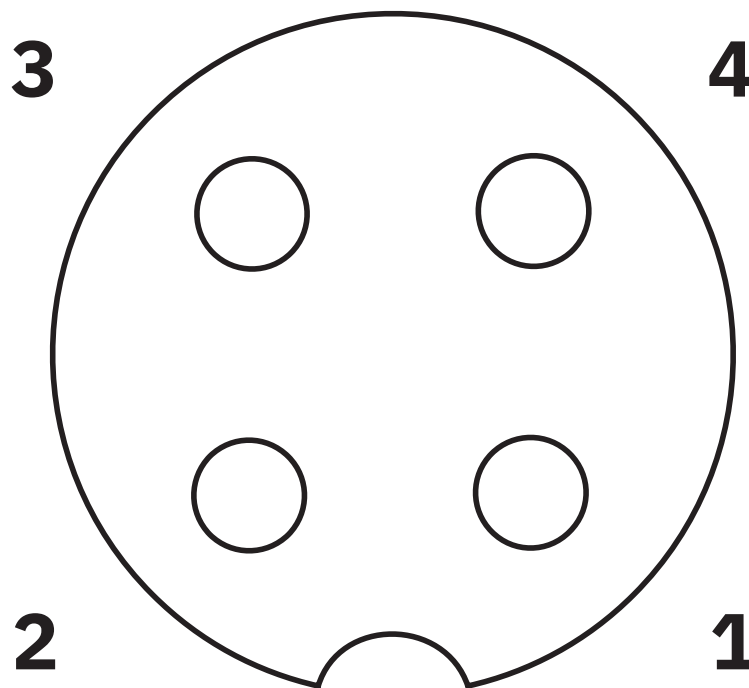


1409539

<https://www.phoenixcontact.com/us/products/1409539>

Drawings

Schematic diagram



Pin assignment M12 socket, 4-pos., A-coded, view female side

SAC-HZ-4P-MS/0,5-542/FSSHSCOBK - Sensor/actuator cable

1409539

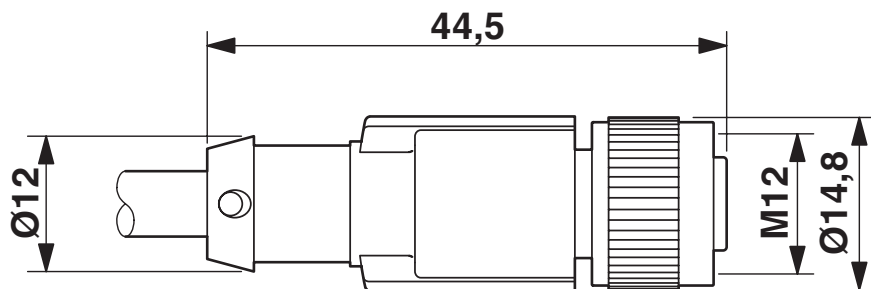
<https://www.phoenixcontact.com/us/products/1409539>

Schematic diagram



Pin assignment M12 plug, 4-pos., A-coded, view plug side

Dimensional drawing



M12 x 1 socket, straight, shielded

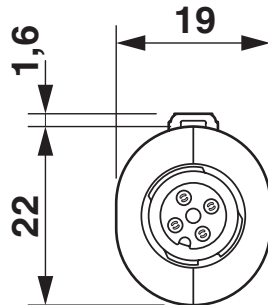
SAC-HZ-4P-MS/0,5-542/FSSHSCOBK - Sensor/actuator cable



1409539

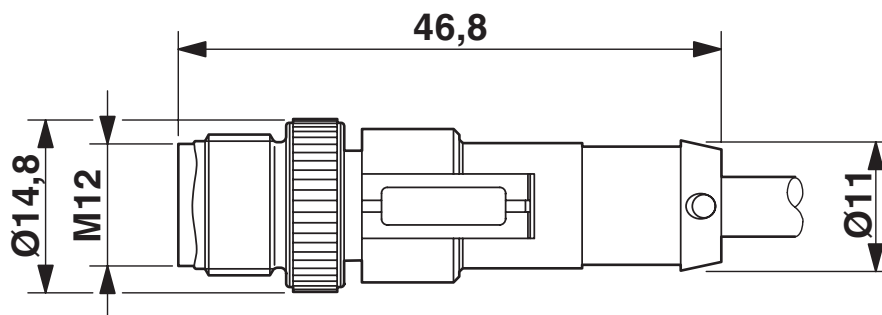
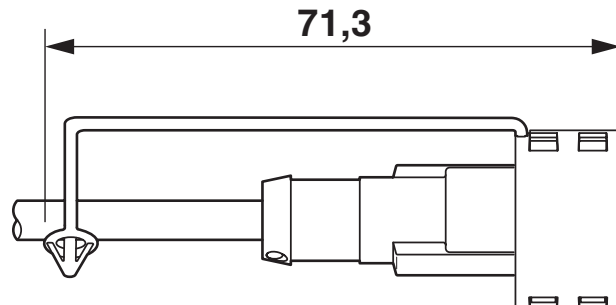
<https://www.phoenixcontact.com/us/products/1409539>

Dimensional drawing



EXCLIP mounted plug

Dimensional drawing



Plug, M12 x 1, straight, shielded

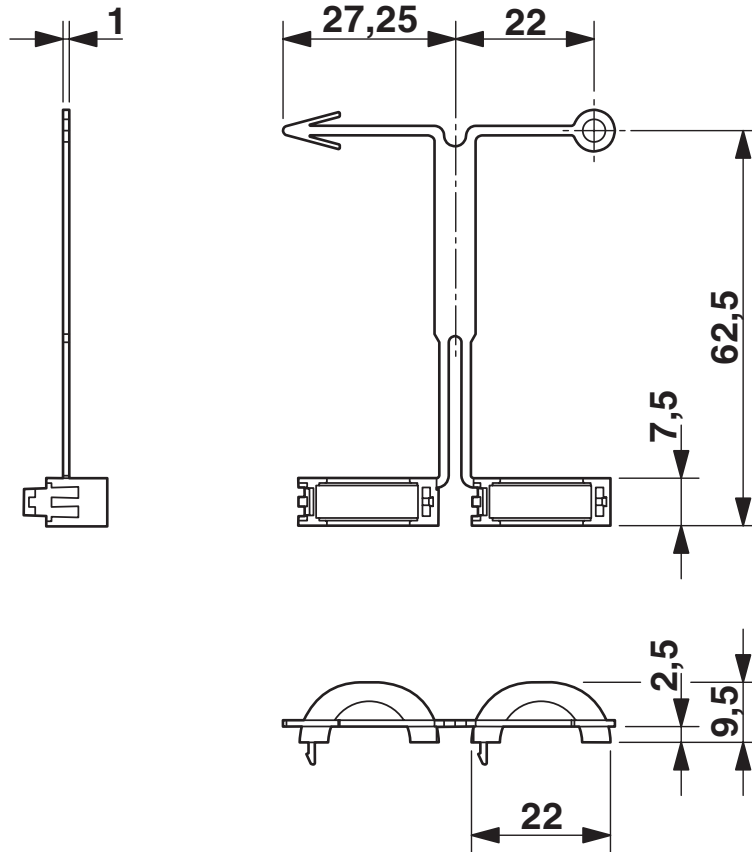
SAC-HZ-4P-MS/0,5-542/FSSHSCOBK - Sensor/actuator cable



1409539

<https://www.phoenixcontact.com/us/products/1409539>

Dimensional drawing



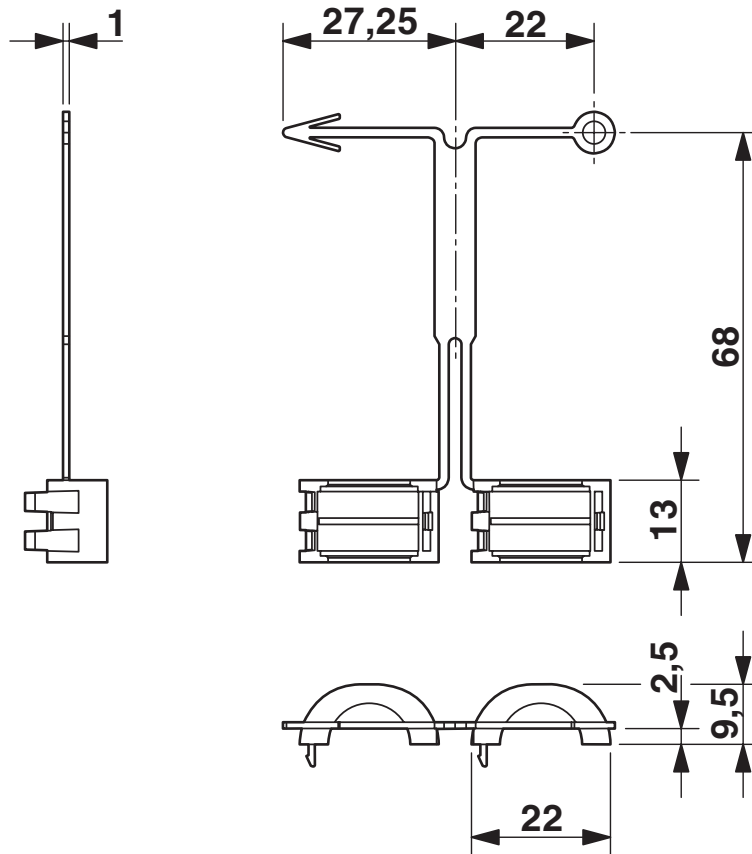
EXCLIP plug

SAC-HZ-4P-MS/0,5-542/FSSHSCOBK - Sensor/actuator cable

1409539

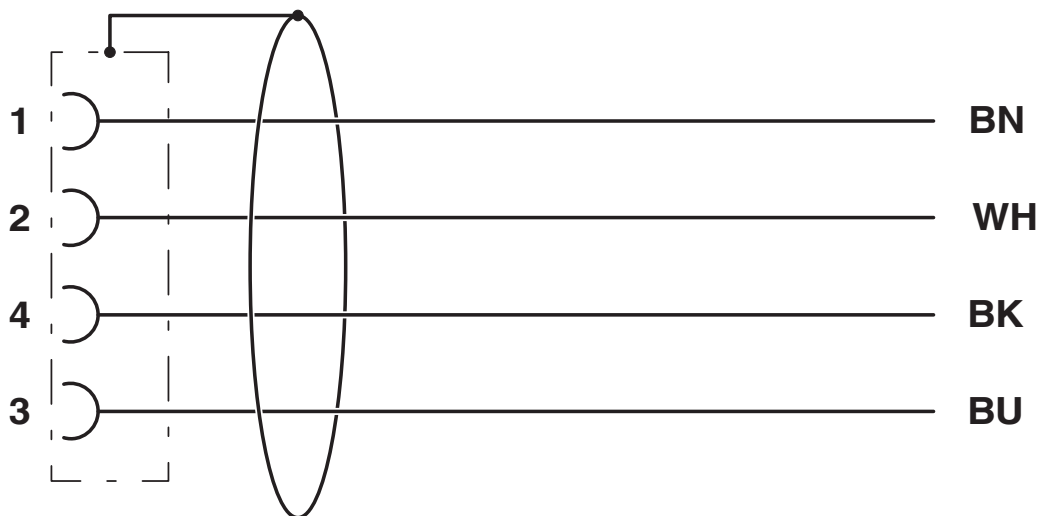
<https://www.phoenixcontact.com/us/products/1409539>

Dimensional drawing



EXCLIP socket

Circuit diagram



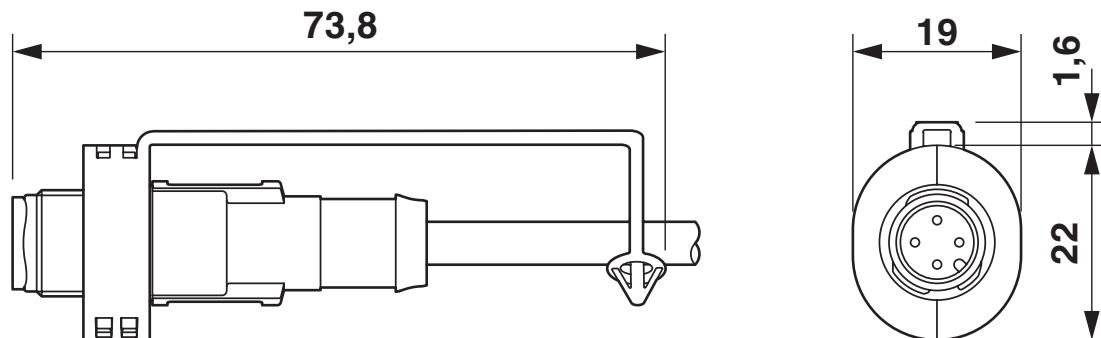
SAC-HZ-4P-MS/0,5-542/FSSHSCOBK - Sensor/actuator cable



1409539

<https://www.phoenixcontact.com/us/products/1409539>

Dimensional drawing



EXCLIP mounted plug

SAC-HZ-4P-MS/0,5-542/FSSHSCOBK - Sensor/actuator cable



1409539

<https://www.phoenixcontact.com/us/products/1409539>

Approvals

To download certificates, visit the product detail page: <https://www.phoenixcontact.com/us/products/1409539>



EAC-RoHS

Approval ID: RU D-DE.HB35.B.00387



cUL Listed

Approval ID: FILE E 359524

	Nominal voltage U_N	Nominal current I_N	Cross section AWG	Cross section mm^2
	150 V	4 A	-	-



UL Listed

Approval ID: FILE E 359524

	Nominal voltage U_N	Nominal current I_N	Cross section AWG	Cross section mm^2
	150 V	4 A	-	-

cULus Listed

SAC-HZ-4P-MS/0,5-542/FSSHSCOBK - Sensor/actuator cable



1409539

<https://www.phoenixcontact.com/us/products/1409539>

Classifications

ECLASS

ECLASS-11.0	27060311
ECLASS-12.0	27060311
ECLASS-13.0	27060311

ETIM

ETIM 9.0	EC001855
----------	----------

UNSPSC

UNSPSC 21.0	26121600
-------------	----------

SAC-HZ-4P-MS/0,5-542/FSSHSCOBK - Sensor/actuator cable



1409539

<https://www.phoenixcontact.com/us/products/1409539>

Environmental product compliance

China RoHS	Environmentally friendly use period: unlimited = EFUP-e
	No hazardous substances above threshold values

Phoenix Contact 2024 © - all rights reserved
<https://www.phoenixcontact.com>

Phoenix Contact USA
586 Fulling Mill Road
Middletown, PA 17057, United States
(+717) 944-1300
info@phoenixcon.com