

QPD T 4PE6,0 2X9-14 BK - T distributor



1411416

<https://www.phoenixcontact.com/us/products/1411416>

Please be informed that the data shown in this PDF document is generated from our online catalog. Please find the complete data in the user documentation. Our general terms of use for downloads are valid.



QUICKON T-distributor, black, 4+PE-pos., 2.5 mm² ... 6.0 mm²/690 V/40 A, for cable diameter of 9 mm ... 14 mm, with two QUICKON nuts

Your advantages

- Innovative and time saving - QUICKON fast connection for time saving of up to 80 % for on-site connection
- Robust throughout: housing with IP68/IP69K and IK07 protection for a wide range of applications
- Safer connection with mechanical coding to protect against mismatching, and touch-proof protection in accordance with DIN EN 0105
- Flexible and compact - by connecting connections internally, H and T-distributors can be used to branch master cables or they can be used as star distributors

Commercial data

Item number	1411416
Packing unit	1 pc
Minimum order quantity	1 pc
Sales key	BF50
Product key	BF6DCC
Catalog page	Page 490 (C-2-2019)
GTIN	4046356932189
Weight per piece (including packing)	366.6 g
Weight per piece (excluding packing)	365.5 g
Customs tariff number	85366990
Country of origin	PL

QPD T 4PE6,0 2X9-14 BK - T distributor



1411416

<https://www.phoenixcontact.com/us/products/1411416>

Technical data

Mounting

Mounting type	direct screw connection
---------------	-------------------------

Product properties

Product type	Power distributor
Product family	QPD
Type	T distributor
Number of positions	5
Connection profile	4+PE
Position marking	1, 2, 3, N, PE
Number of connections	3
No. of cable outlets	3
Coding	Coding profile

Insulation characteristics

Overvoltage category	III
Degree of pollution	3

Connection data

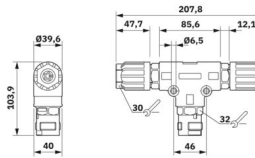
Connection technology

Connection method	IDC connection
Frequency of connections between conductors of the same cross section	max. 10

Conductor connection

Conductor cross section flexibel	2.5 mm ² ... 6 mm ²
Conductor cross section solid	2.5 mm ² ... 6 mm ²
Connection cross section AWG	14 ... 10
Tightening torque Union nut	15 Nm
Wrench size Union nut	30 mm

Dimensions

Dimensional drawing	
Width	103.9 mm
Height	40 mm
Length	207.8 mm
Wrench size	30 mm

QPD T 4PE6,0 2X9-14 BK - T distributor



1411416

<https://www.phoenixcontact.com/us/products/1411416>

Wrench size for mounting	30 mm
--------------------------	-------

Electrical properties

Rated surge voltage (II/2)	8 kV
Rated surge voltage (III/2)	8 kV
Rated surge voltage (III/3)	6 kV
Rated current	40 A
Contact resistance	< 3 mΩ
rated voltage (II/2)	1000 V
rated voltage (III/2)	1000 V
Rated voltage (III/3)	690 V
Nominal voltage U_N	690 V AC 690 V DC
Nominal current I_N	40 A

Mechanical properties

Mechanical data

Insertion/withdrawal cycles	max. 50
-----------------------------	---------

Material specifications

Color	black (RAL 9005)
Material Housing	PA
Material Contact	Cu
Material Contact surface	Silver-plated
Flammability rating according to UL 94	V0
Material wire insulation	PVC/PE/TPE/rubber

Cable/line

Structure of individual litz in acc. with VDE 0295 / smallest wire diameter	VDE 0295 class 1 to 6/min. 0.15 mm
External cable diameter	9 mm ... 14 mm
Wire diameter including insulation	2.95 mm ... 5 mm
Position marking	1, 2, 3, N, PE
Material wire insulation	PVC/PE/TPE/rubber

Environmental and real-life conditions

Ambient conditions

Degree of protection	IP66 IP68 (2 m / 24 h) IP69K
Ambient temperature (operation)	-40 °C ... 100 °C
Temperature when conductor connected	-5 °C ... 50 °C
Ambient temperature (storage/transport)	-40 °C ... 100 °C

QPD T 4PE6,0 2X9-14 BK - T distributor

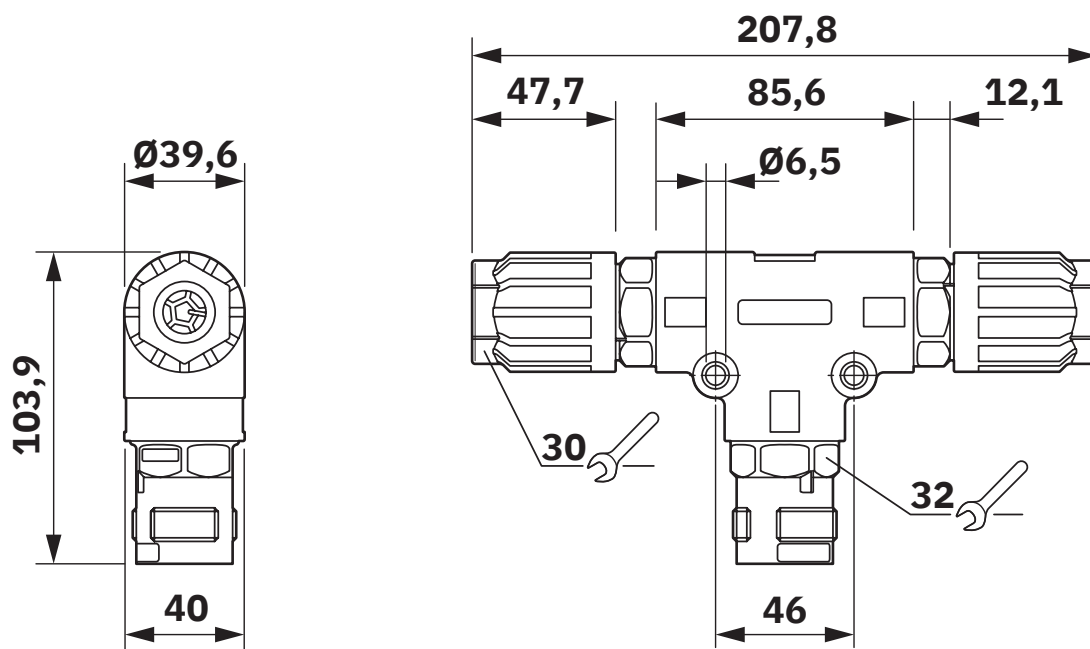


1411416

<https://www.phoenixcontact.com/us/products/1411416>

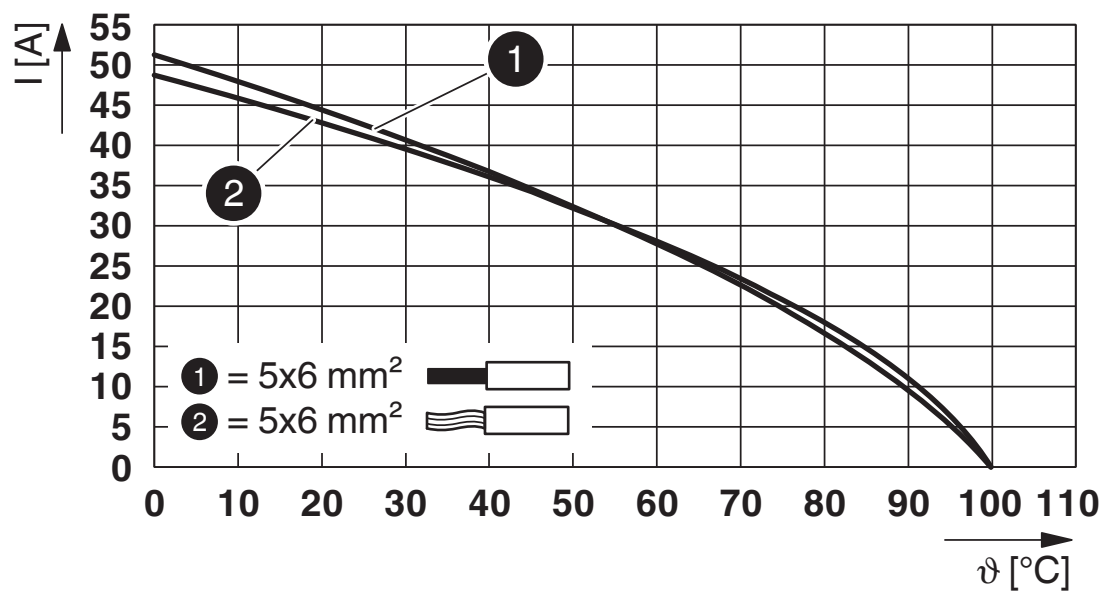
Drawings

Dimensional drawing



Dimensional drawing

Diagram



Derating diagram

QPD T 4PE6,0 2X9-14 BK - T distributor



1411416

<https://www.phoenixcontact.com/us/products/1411416>

Approvals

To download certificates, visit the product detail page: <https://www.phoenixcontact.com/us/products/1411416>



IECEE CB Scheme
Approval ID: DE1-65875



EAC
Approval ID: RU C-DE.BL08.B.00511



DNV GL
Approval ID: TAE00003J5



VDE Zeichengenehmigung
Approval ID: 40029149



UL Listed
Approval ID: E468743

Nominal voltage U_N	Nominal current I_N	Cross section AWG	Cross section mm^2
600 V	20 A	-	- 12



cUL Listed
Approval ID: E468743

Nominal voltage U_N	Nominal current I_N	Cross section AWG	Cross section mm^2
600 V	20 A	- 12	-

cULus Listed

QPD T 4PE6,0 2X9-14 BK - T distributor



1411416

<https://www.phoenixcontact.com/us/products/1411416>

Classifications

ECLASS

ECLASS-11.0	27440603
ECLASS-13.0	27440603
ECLASS-12.0	27440603

ETIM

ETIM 9.0	EC002567
----------	----------

UNSPSC

UNSPSC 21.0	39121400
-------------	----------

1411416

<https://www.phoenixcontact.com/us/products/1411416>

Environmental product compliance

EU RoHS

Fulfills EU RoHS substance requirements	Yes, No exemptions
---	--------------------

China RoHS

Environment friendly use period (EFUP)	EFUP-E
	No hazardous substances above the limits

EU REACH SVHC

REACH candidate substance (CAS No.)	No substance above 0.1 wt%
-------------------------------------	----------------------------

QPD T 4PE6,0 2X9-14 BK - T distributor

1411416

<https://www.phoenixcontact.com/us/products/1411416>

Mandatory accessories

QPD P 4PE6,0 9-14 BK - Connector

1410386

<https://www.phoenixcontact.com/us/products/1410386>



Connector, product family: QPD, connection method: IDC connection, number of positions: 4+PE, 2.5 mm² ... 6 mm², 690 V, 40 A, PA, black, with QUICKON nut, external cable diameter: 9 mm ... 14 mm

QPD P 4PE6,0 9-14 TL BK - Connector

1039564

<https://www.phoenixcontact.com/us/products/1039564>



Connector, product family: QPD, connection method: IDC connection, number of positions: 4+PE, 2.5 mm² ... 6 mm², 690 V, 40 A, PA, black, with QUICKON nut, external cable diameter: 9 mm ... 14 mm

QPD T 4PE6,0 2X9-14 BK - T distributor

1411416

<https://www.phoenixcontact.com/us/products/1411416>



QPD N 4PE6,0 9-14 BK - Nut

1410409

<https://www.phoenixcontact.com/us/products/1410409>



QUICKON nut, black, 4+PE-pos., 2.5 mm² ... 6.0 mm²/690 V/40 A, for cables with a diameter of 9 mm ... 14 mm.

Accessories

CP-QPD 5X6,0 - Coding profile

1411402

<https://www.phoenixcontact.com/us/products/1411402>



Coding profile, red, for insertion into the 5-pos. QUICKON dome and connector, can be positioned in 72° increments.

QPD T 4PE6,0 2X9-14 BK - T distributor

1411416

<https://www.phoenixcontact.com/us/products/1411416>



QPD QSK 5X6,0 - Protective cap

1411403

<https://www.phoenixcontact.com/us/products/1411403>

Protective cap, black plastic, for 5 x 2.5 mm² QPD connector, IP50.



QPD QSK BK 5X6,0 FS - Protective cap

1411400

<https://www.phoenixcontact.com/us/products/1411400>

Protective cap, plastic, for QUICKON connection, black, with retaining cord, IP68



QPD T 4PE6,0 2X9-14 BK - T distributor



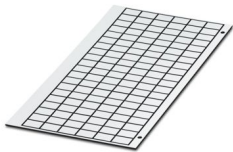
1411416

<https://www.phoenixcontact.com/us/products/1411416>

GPE 13X 9 WH - Engraving material

0806932

<https://www.phoenixcontact.com/us/products/0806932>



Engraving material, Sheet, white, unlabeled, can be labeled with: PLOTMARK, ENGRAVING UNIT, CMS-P1-PLOTTER, P1 ENGRAVING UNIT, mounting type: adhesive, lettering field size: 13 x 9 mm, Number of individual labels: 120

EMLP (13X9)R - Label

0819453

<https://www.phoenixcontact.com/us/products/0819453>



Label, Roll, white, unlabeled, can be labeled with: THERMOMARK E.300 (D)/600 (D), THERMOMARK ROLL 2.0, THERMOMARK ROLL, THERMOMARK ROLL X1, THERMOMARK ROLLMASTER 300/600, THERMOMARK X1.2, mounting type: adhesive, lettering field size: 13 x 9 mm, Number of individual labels: 500

QPD T 4PE6,0 2X9-14 BK - T distributor

1411416

<https://www.phoenixcontact.com/us/products/1411416>

SEALING PLUG 10X16 RD - Closing cap

1400284

<https://www.phoenixcontact.com/us/products/1400284>

Closing cap, for threads pluggable, color: red



QPD W 4PE6,0 9-14 M25 0,5 BK - Panel feed-through

1410392

<https://www.phoenixcontact.com/us/products/1410392>

QUICKON panel feed-through, 4+PE-pos., 2.5 mm² ... 6.0 mm²/690 V/40 A, with QUICKON nut, black, for cable diameter of 9 mm ... 14 mm, M25 connection thread with 5 welded-on 6.0 mm² cable wires, 0.5 m long, cut flat at the end.



QPD T 4PE6,0 2X9-14 BK - T distributor

1411416

<https://www.phoenixcontact.com/us/products/1411416>



QPD W 4PE6,0 9-14 M25 1,0 BK - Panel feed-through

1410393

<https://www.phoenixcontact.com/us/products/1410393>



QUICKON panel feed-through, 4+PE-pos., 2.5 mm² ... 6.0 mm²/690 V/40 A, with QUICKON nut, black, for cable diameter of 9 mm ... 14 mm, M25 connection thread with 5 welded-on 6.0 mm² cable wires, 1.0 m long, cut flat at the end.

QPD C 4PE6,0 1X9-14 BK - Conductor connectors

1410415

<https://www.phoenixcontact.com/us/products/1410415>



QUICKON cable connector, with a QUICKON nut, black, 4+PE-pos., 2.5 mm² ... 6.0 mm²/690 V/40 A, for cable diameter of 9 mm ... 14 mm.

QPD T 4PE6,0 2X9-14 BK - T distributor

1411416

<https://www.phoenixcontact.com/us/products/1411416>



QPD C 4PE6,0 2X9-14 BK - Conductor connectors

1410410

<https://www.phoenixcontact.com/us/products/1410410>



QUICKON cable connector, black, 4+PE-pos., 2.5 mm² ... 6.0 mm²/690 V/40 A, for cable diameter of 9 mm ... 14 mm.

QPD T 4PE6,0 3X9-14 BK - T distributor

1411414

<https://www.phoenixcontact.com/us/products/1411414>



QUICKON T-distributor, black, 4+PE-pos., 2.5 mm² ... 6.0 mm²/690 V/40 A, for cable diameter of 9 mm ... 14 mm, with three QUICKON nuts

QPD T 4PE6,0 2X9-14 BK - T distributor

1411416

<https://www.phoenixcontact.com/us/products/1411416>



QPD H 4PE6,0 4X9-14 BK - H distributor

1411422

<https://www.phoenixcontact.com/us/products/1411422>



QUICKON H-distributor, black, 4+PE-pos., 2.5 mm² ... 6.0 mm²/690 V/40 A, for cable diameter of 9 mm ... 14 mm, with a sealing bolt.

Phoenix Contact 2024 © - all rights reserved

<https://www.phoenixcontact.com>

Phoenix Contact USA
586 Fulling Mill Road
Middletown, PA 17057, United States
(+717) 944-1300
info@phoenixcon.com