

QPD H 4PE6,0 4X12-20 BK - H distributor



1411425

<https://www.phoenixcontact.com/us/products/1411425>

Please be informed that the data shown in this PDF document is generated from our online catalog. Please find the complete data in the user documentation. Our general terms of use for downloads are valid.



QUICKON H-distributor, black, 4+PE-pos., 2.5 mm² ... 6.0 mm²/690 V/40 A, for cable diameter of 12 mm ... 20 mm, with a sealing bolt.

Your advantages

- Innovative and time saving - QUICKON fast connection for time saving of up to 80 % for on-site connection
- Robust throughout: housing with IP68/IP69K and IK07 protection for a wide range of applications
- Safer connection with mechanical coding to protect against mismatching, and touch-proof protection in accordance with DIN EN 0105
- Flexible and compact - by connecting connections internally, H and T-distributors can be used to branch master cables or they can be used as star distributors

Commercial data

| | |
|--------------------------------------|---------------------|
| Item number | 1411425 |
| Packing unit | 1 pc |
| Minimum order quantity | 1 pc |
| Sales key | BF50 |
| Product key | BF6DCC |
| Catalog page | Page 489 (C-2-2019) |
| GTIN | 4046356932257 |
| Weight per piece (including packing) | 561.5 g |
| Weight per piece (excluding packing) | 560 g |
| Customs tariff number | 85366990 |
| Country of origin | PL |

Technical data

Mounting

| | |
|---------------|-------------------------|
| Mounting type | direct screw connection |
|---------------|-------------------------|

Product properties

| | |
|-----------------------|-------------------|
| Product type | Power distributor |
| Product family | QPD |
| Type | H-distributor |
| Number of positions | 5 |
| Connection profile | 4+PE |
| Position marking | 1, 2, 3, N, PE |
| Number of connections | 5 |
| No. of cable outlets | 4 |
| Coding | Coding profile |

Insulation characteristics

| | |
|----------------------|-----|
| Overvoltage category | III |
| Degree of pollution | 3 |

Connection data

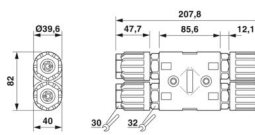
Connection technology

| | |
|---|----------------|
| Connection method | IDC connection |
| Frequency of connections between conductors of the same cross section | max. 10 |

Conductor connection

| | |
|----------------------------------|---|
| Conductor cross section flexibel | 2.5 mm ² ... 6 mm ² |
| Conductor cross section solid | 2.5 mm ² ... 6 mm ² |
| Connection cross section AWG | 14 ... 10 |
| Tightening torque Union nut | 15 Nm |
| Wrench size Union nut | 30 mm |

Dimensions

| | |
|--------------------------|--|
| Dimensional drawing |  |
| Width | 82 mm |
| Height | 40 mm |
| Length | 207.8 mm |
| Wrench size | 30 mm |
| Wrench size for mounting | 30 mm |

1411425

<https://www.phoenixcontact.com/us/products/1411425>

Electrical properties

| | |
|-----------------------------|----------|
| Rated surge voltage (II/2) | 8 kV |
| Rated surge voltage (III/2) | 8 kV |
| Rated surge voltage (III/3) | 6 kV |
| Rated current | 40 A |
| Contact resistance | < 3 mΩ |
| rated voltage (II/2) | 1000 V |
| rated voltage (III/2) | 1000 V |
| Rated voltage (III/3) | 690 V |
| Nominal voltage U_N | 690 V AC |
| | 690 V DC |
| Nominal current I_N | 40 A |

Mechanical properties

Mechanical data

| | |
|-----------------------------|---------|
| Insertion/withdrawal cycles | max. 50 |
|-----------------------------|---------|

Material specifications

| | |
|--|-------------------|
| Color | black (RAL 9005) |
| Material Housing | PA |
| Material Contact | Cu |
| Material Contact surface | Silver-plated |
| Flammability rating according to UL 94 | V0 |
| Material wire insulation | PVC/PE/TPE/rubber |

Cable/line

| | |
|---|------------------------------------|
| Structure of individual litz in acc. with VDE 0295 / smallest wire diameter | VDE 0295 class 1 to 6/min. 0.15 mm |
| External cable diameter | 12 mm ... 20 mm |
| Wire diameter including insulation | 2.95 mm ... 5 mm |
| Position marking | 1, 2, 3, N, PE |
| Material wire insulation | PVC/PE/TPE/rubber |

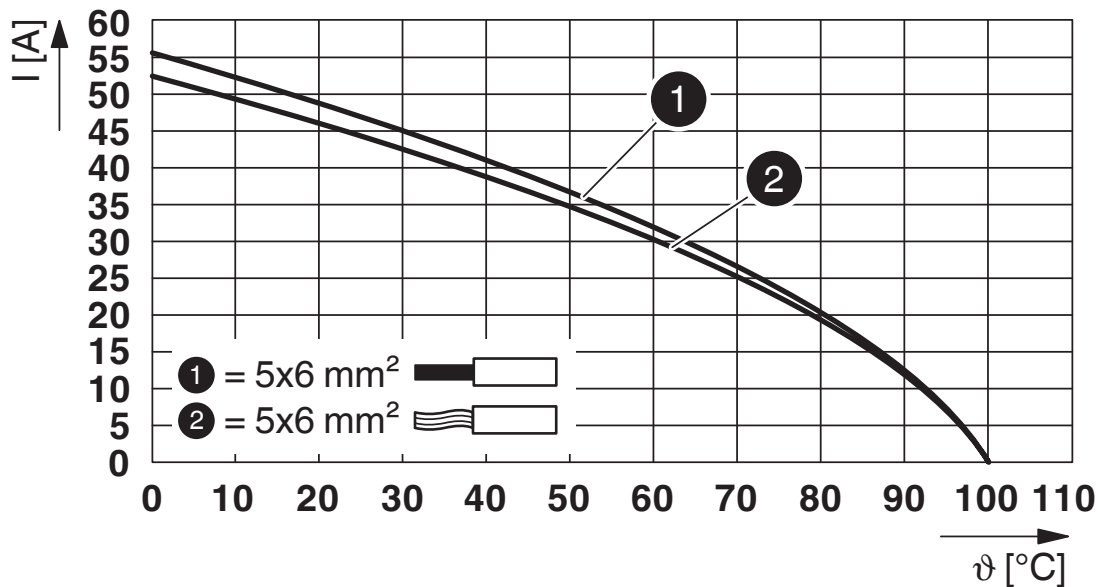
Environmental and real-life conditions

Ambient conditions

| | |
|---|---|
| Degree of protection | IP66 |
| | IP68 (2 m / 24 h) |
| | IP69K (Distance from the nozzle 150 mm) |
| Ambient temperature (operation) | -40 °C ... 100 °C |
| Temperature when conductor connected | -5 °C ... 50 °C |
| Ambient temperature (storage/transport) | -40 °C ... 100 °C |

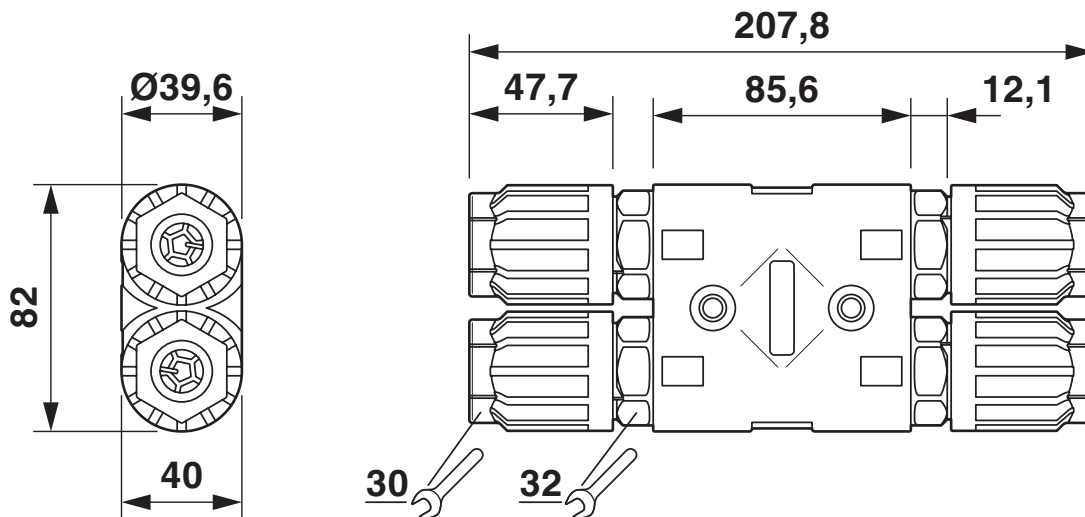
Drawings

Diagram



Derating diagram

Dimensional drawing



Dimensional drawing

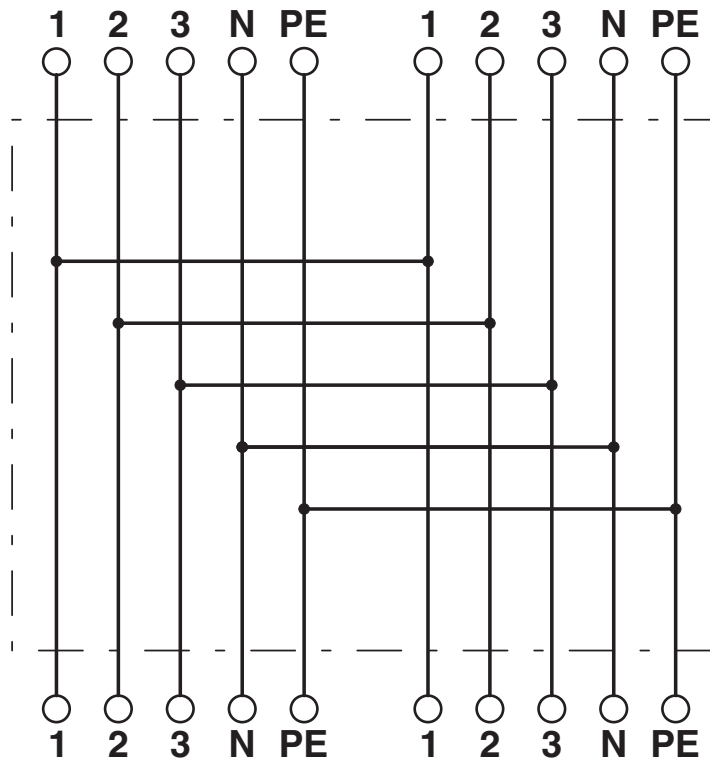
QPD H 4PE6,0 4X12-20 BK - H distributor

1411425

<https://www.phoenixcontact.com/us/products/1411425>



Circuit diagram



1411425

<https://www.phoenixcontact.com/us/products/1411425>

Approvals

To download certificates, visit the product detail page: <https://www.phoenixcontact.com/us/products/1411425>



IECEE CB Scheme
Approval ID: DE1-65875



EAC
Approval ID: RU C-DE.BL08.B.00511



DNV GL
Approval ID: TAE00003J5



VDE Zeichengenehmigung
Approval ID: 40029149



UL Listed
Approval ID: E468743

| | Nominal voltage U_N | Nominal current I_N | Cross section AWG | Cross section mm^2 |
|--|-----------------------|-----------------------|-------------------|----------------------|
| | 600 V | 20 A | - | - 12 |



cUL Listed
Approval ID: E468743

| | Nominal voltage U_N | Nominal current I_N | Cross section AWG | Cross section mm^2 |
|--|-----------------------|-----------------------|-------------------|----------------------|
| | 600 V | 20 A | - 12 | - |

cULus Listed

1411425

<https://www.phoenixcontact.com/us/products/1411425>

Classifications

ECLASS

| | |
|-------------|----------|
| ECLASS-11.0 | 27440603 |
| ECLASS-13.0 | 27440603 |
| ECLASS-12.0 | 27440603 |

ETIM

| | |
|----------|----------|
| ETIM 9.0 | EC002567 |
|----------|----------|

UNSPSC

| | |
|-------------|----------|
| UNSPSC 21.0 | 39121400 |
|-------------|----------|

1411425

<https://www.phoenixcontact.com/us/products/1411425>

Environmental product compliance

EU RoHS

| | |
|---|--------------------|
| Fulfills EU RoHS substance requirements | Yes, No exemptions |
|---|--------------------|

China RoHS

| | |
|--|--|
| Environment friendly use period (EFUP) | EFUP-E |
| | No hazardous substances above the limits |

EU REACH SVHC

| | |
|-------------------------------------|----------------------------|
| REACH candidate substance (CAS No.) | No substance above 0.1 wt% |
|-------------------------------------|----------------------------|

QPD H 4PE6,0 4X12-20 BK - H distributor



1411425

<https://www.phoenixcontact.com/us/products/1411425>

Accessories

CP-QPD 5X6,0 - Coding profile

1411402

<https://www.phoenixcontact.com/us/products/1411402>



Coding profile, red, for insertion into the 5-pos. QUICKON dome and connector, can be positioned in 72° increments.

QPD QSK 5X6,0 - Protective cap

1411403

<https://www.phoenixcontact.com/us/products/1411403>



Protective cap, black plastic, for 5 x 2.5 mm² QPD connector, IP50.

QPD H 4PE6,0 4X12-20 BK - H distributor

1411425

<https://www.phoenixcontact.com/us/products/1411425>



QPD QSK BK 5X6,0 FS - Protective cap

1411400

<https://www.phoenixcontact.com/us/products/1411400>

Protective cap, plastic, for QUICKON connection, black, with retaining cord, IP68

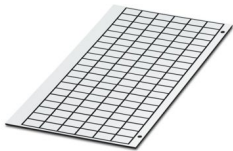


GPE 13X 9 WH - Engraving material

0806932

<https://www.phoenixcontact.com/us/products/0806932>

Engraving material, Sheet, white, unlabeled, can be labeled with: PLOTMARK, ENGRAVING UNIT, CMS-P1-PLOTTER, P1 ENGRAVING UNIT, mounting type: adhesive, lettering field size: 13 x 9 mm, Number of individual labels: 120



QPD H 4PE6,0 4X12-20 BK - H distributor



1411425

<https://www.phoenixcontact.com/us/products/1411425>

EMLP (13X9)R - Label

0819453

<https://www.phoenixcontact.com/us/products/0819453>



Label, Roll, white, unlabeled, can be labeled with: THERMOMARK E.300 (D)/600 (D), THERMOMARK ROLL 2.0, THERMOMARK ROLL, THERMOMARK ROLL X1, THERMOMARK ROLLMASTER 300/600, THERMOMARK X1.2, mounting type: adhesive, lettering field size: 13 x 9 mm, Number of individual labels: 500

SEALING PLUG 14X22 RD - Closing cap

1400270

<https://www.phoenixcontact.com/us/products/1400270>



Closing cap, for threads pluggable, color: red

QPD H 4PE6,0 4X12-20 BK - H distributor

1411425

<https://www.phoenixcontact.com/us/products/1411425>



QPD W 4PE6,0 12-20 M25 0,5 BK - Panel feed-through

1410394

<https://www.phoenixcontact.com/us/products/1410394>



QUICKON panel feed-through, 4+PE-pos., 2.5 mm² ... 6.0 mm²/690 V/40 A, with QUICKON nut, black, for cable diameter of 12 mm ... 20 mm, M25 connection thread with 5 welded-on 6.0 mm² cable wires, 0.5 m long, cut flat at the end.

QPD W 4PE6,0 12-20 M25 1,0 BK - Panel feed-through

1410395

<https://www.phoenixcontact.com/us/products/1410395>



QUICKON panel feed-through, 4+PE-pos., 2.5 mm² ... 6.0 mm²/690 V/40 A, with QUICKON nut, black, for cable diameter of 12 mm ... 20 mm, M25 connection thread with 5 welded-on 6.0 mm² cable wires, 1.0 m long, cut flat at the end.

QPD H 4PE6,0 4X12-20 BK - H distributor

1411425

<https://www.phoenixcontact.com/us/products/1411425>



QPD C 4PE6,0 1X12-20 BK - Conductor connectors

1410416

<https://www.phoenixcontact.com/us/products/1410416>



QUICKON cable connector, with a QUICKON nut, black, 4+PE-pos., 2.5 mm² ... 6.0 mm²/690 V/40 A, for cable diameter of 12 mm ... 20 mm.

QPD C 4PE6,0 2X12-20 BK - Conductor connectors

1410412

<https://www.phoenixcontact.com/us/products/1410412>



QUICKON cable connector, black, 4+PE-pos., 2.5 mm² ... 6.0 mm²/690 V/40 A, for cable diameter of 12 mm ... 20 mm.

QPD H 4PE6,0 4X12-20 BK - H distributor

1411425

<https://www.phoenixcontact.com/us/products/1411425>



QPD T 4PE6,0 2X12-20 BK - T distributor

1411417

<https://www.phoenixcontact.com/us/products/1411417>



QUICKON T-distributor, black, 4+PE-pos., 2.5 mm² ... 6.0 mm²/690 V/40 A, for cable diameter of 12 mm ... 20 mm, with two QUICKON nuts

QPD T 4PE6,0 3X12-20 BK - T distributor

1411415

<https://www.phoenixcontact.com/us/products/1411415>



QUICKON T-distributor, black, 4+PE-pos., 2.5 mm² ... 6.0 mm²/690 V/40 A, for cable diameter of 12 mm ... 20 mm, with three QUICKON nuts

QPD H 4PE6,0 4X12-20 BK - H distributor

1411425

<https://www.phoenixcontact.com/us/products/1411425>



QPD N 4PE6,0 12-20 BK - Nut

1410406

<https://www.phoenixcontact.com/us/products/1410406>



QUICKON nut, black, 4+PE-pos., 2.5 mm² ... 6.0 mm²/690 V/40 A, for cables with a diameter of 12 mm ... 20 mm.

QPD P 4PE6,0 12-20 BK - Connector

1410387

<https://www.phoenixcontact.com/us/products/1410387>



Connector, product family: QPD, connection method: IDC connection, number of positions: 4+PE, 2.5 mm² ... 6 mm², 690 V, 40 A, PA, black, with QUICKON nut, external cable diameter: 12 mm ... 20 mm

QPD H 4PE6,0 4X12-20 BK - H distributor

1411425

<https://www.phoenixcontact.com/us/products/1411425>



QPD P 4PE6,0 12-20 TL BK - Connector

1039565

<https://www.phoenixcontact.com/us/products/1039565>



Connector, product family: QPD, connection method: IDC connection, number of positions: 4+PE, 2.5 mm² ... 6 mm², 690 V, 40 A, PA, black, with QUICKON nut, external cable diameter: 12 mm ... 20 mm

Phoenix Contact 2024 © - all rights reserved

<https://www.phoenixcontact.com>

Phoenix Contact USA
586 Fulling Mill Road
Middletown, PA 17057, United States
(+717) 944-1300
info@phoenixcon.com