

HC-STA-B10-CHWD-1TTP16-ELC-AL - Housing



1412581

<https://www.phoenixcontact.com/us/products/1412581>

Please be informed that the data shown in this PDF document is generated from our online catalog. Please find the complete data in the user documentation. Our general terms of use for downloads are valid.



Coupling housings B10, with double locking latch, material: Die-cast aluminum, salt water resistant, cable outlets: 1, straight, 1x Pg16, height: 73 mm, cable gland: none, Standard

Your advantages

- Good shielding in the event of electromagnetic interference

Commercial data

Item number	1412581
Packing unit	1 pc
Minimum order quantity	1 pc
Sales key	BF56
Product key	BF7APB
Catalog page	Page 609 (C-2-2019)
GTIN	4055626030562
Weight per piece (including packing)	216.8 g
Weight per piece (excluding packing)	216.8 g
Customs tariff number	85389099
Country of origin	CN

1412581

<https://www.phoenixcontact.com/us/products/1412581>

Technical data

Notes

General	For contact inserts HC-B10, BB18, DD42, M, K8/24
---------	--

Product properties

Product type	Housing with locking latch
Housing type	Coupling housings
Application	Standard
Type	B10
No. of cable outlets	1
Type of the screw connection	1x Pg16
Cable outlet	straight
Pg screw connection	none

Dimensions

Dimensional drawing	
Width	44 mm
Height	73 mm
Length	73 mm

Material specifications

Flammability rating according to UL 94	V0 (Interlock)
Seal material	NBR, conductive
Housing material	Die-cast aluminum, salt water resistant
Housing surface material	uncoated
Locking latch material	PA

Mechanical properties

Mechanical data

Type of the screw connection	1x Pg16
Locking type	Latch

Environmental and real-life conditions

Ambient conditions

Degree of protection	IP66
	IP67
Enclosure rating (NEMA)	4 (UL 50e)
	4X (UL 50e)

HC-STA-B10-CHWD-1TTP16-ELC-AL - Housing



1412581

<https://www.phoenixcontact.com/us/products/1412581>

	12 (UL 50e)
Impact strength	IK09
Ambient temperature (operation)	-40 °C ... 125 °C

HC-STA-B10-CHWD-1TTP16-ELC-AL - Housing

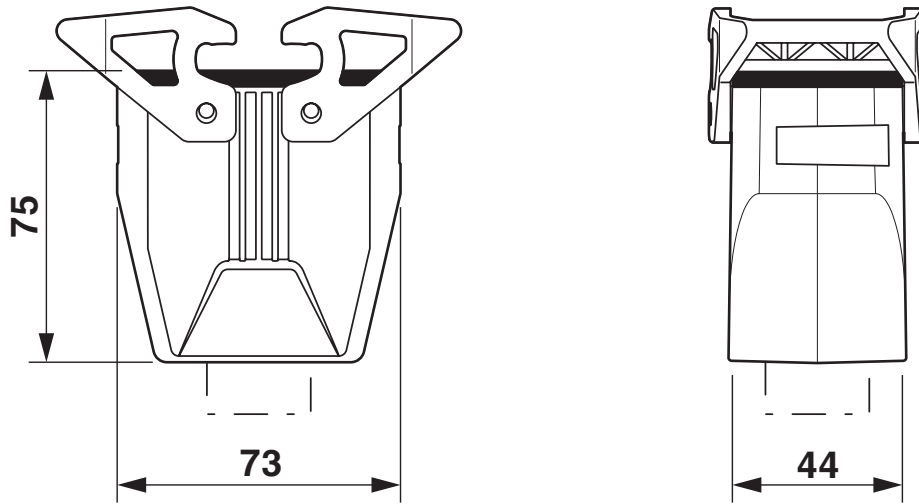


1412581

<https://www.phoenixcontact.com/us/products/1412581>

Drawings

Dimensional drawing



Dimensional drawing

1412581

<https://www.phoenixcontact.com/us/products/1412581>

Approvals

To download certificates, visit the product detail page: <https://www.phoenixcontact.com/us/products/1412581>

DNV

Approval ID: TAE000037S



cUL Recognized

Approval ID: E255026



UL Recognized

Approval ID: E255026



EAC

Approval ID: RU C-DE.AI30.B.01102



EAC

Approval ID: RU C-DE.BL08.B.00511

cULus Recognized

1412581

<https://www.phoenixcontact.com/us/products/1412581>

Classifications

ECLASS

ECLASS-11.0	27440202
ECLASS-12.0	27440202
ECLASS-13.0	27440202

ETIM

ETIM 9.0	EC000437
----------	----------

UNSPSC

UNSPSC 21.0	31261500
-------------	----------

1412581

<https://www.phoenixcontact.com/us/products/1412581>

Environmental product compliance

EU RoHS

Fulfills EU RoHS substance requirements	Yes, No exemptions
---	--------------------

China RoHS

Environment friendly use period (EFUP)	EFUP-E
	No hazardous substances above the limits

EU REACH SVHC

REACH candidate substance (CAS No.)	No substance above 0.1 wt%
-------------------------------------	----------------------------

1412581

<https://www.phoenixcontact.com/us/products/1412581>

Accessories

G-INS-PG16-S68N-NNES-S - Cable gland

1411174

<https://www.phoenixcontact.com/us/products/1411174>



Cable gland, material for screw connection: Brass, nickel-plated, application: Standard, external cable diameter 10 mm ... 14 mm, shielding: no, connecting thread: Pg16, color: silver, with O-ring

G-INSEC-PG16-S68N-NNES-S - Cable gland

1411199

<https://www.phoenixcontact.com/us/products/1411199>



Cable gland, material for screw connection: Brass, nickel-plated, application: EMC, external cable diameter 10 mm ... 14 mm, shielding: yes, connecting thread: Pg16, color: silver, with O-ring

HC-STA-B10-CHWD-1TTP16-ELC-AL - Housing



1412581

<https://www.phoenixcontact.com/us/products/1412581>

US-EMLP (20X9) CUS - Plastic label

0830085

<https://www.phoenixcontact.com/us/products/0830085>

Plastic label, can be ordered: by card, white, labeled according to customer specifications, mounting type: adhesive, lettering field size: 20 x 9 mm, Number of individual labels: 75



HC-B10-SP-CBK - Profile gasket

1411479

<https://www.phoenixcontact.com/us/products/1411479>

Profile gasket for HEAVYCON EVO supporting base element type B10, conductive



HC-STA-B10-CHWD-1TTP16-ELC-AL - Housing



1412581

<https://www.phoenixcontact.com/us/products/1412581>

HC-STA-B10-24-DL-PLBK - Housing brackets

1412886

<https://www.phoenixcontact.com/us/products/1412886>



Double locking latch for B10 / B16 / B24 housing, HC-EVO...AL and HC-STA...AL

HC-B10-BCFD-P-BK - Protective cover

1346527

<https://www.phoenixcontact.com/us/products/1346527>



Protective cover B10, for double locking latch, protective cover material: PC, height: 26.3 mm, seal: no

HC-STA-B10-CHWD-1TTP16-ELC-AL - Housing

1412581

<https://www.phoenixcontact.com/us/products/1412581>



HC-STA-B10-DC-PL - Protective cover

1421101

<https://www.phoenixcontact.com/us/products/1421101>



Protective cover, design: B10

WP-G HF IP66 PG16 BK - Screw connection

3240891

<https://www.phoenixcontact.com/us/products/3240891>



Cable gland, Pg thread, IP66 protection, straight

HC-STA-B10-CHWD-1TTP16-ELC-AL - Housing



1412581

<https://www.phoenixcontact.com/us/products/1412581>

WP-G HF IP69K PG16 BK - Screw connection

3240877

<https://www.phoenixcontact.com/us/products/3240877>

Cable gland, Pg thread, IP68/69k protection, straight



WP-GA HF IP66 PG16 BK - Screw connection

3240919

<https://www.phoenixcontact.com/us/products/3240919>

Cable gland, Pg thread, IP66 protection, angled



HC-STA-B10-CHWD-1TTP16-ELC-AL - Housing



1412581

<https://www.phoenixcontact.com/us/products/1412581>

WP-GA HF IP69K PG16 BK - Screw connection

3240905

<https://www.phoenixcontact.com/us/products/3240905>

Cable gland, Pg thread, IP68/69k protection, angled



WP-GR HF IP66 PG16 BK - Screw connection

3240947

<https://www.phoenixcontact.com/us/products/3240947>

Cable gland, Pg thread, IP66 protection, with strain relief



HC-STA-B10-CHWD-1TTP16-ELC-AL - Housing



1412581

<https://www.phoenixcontact.com/us/products/1412581>

WP-GR HF IP69K PG16 BK - Screw connection

3240933

<https://www.phoenixcontact.com/us/products/3240933>



Cable gland, Pg thread, IP68/69k protection, with strain relief

WP-G PP HF PG16 - Screw connection

3240991

<https://www.phoenixcontact.com/us/products/3240991>



Cable gland made from PP with Pg thread, IP65 protection

HC-STA-B10-CHWD-1TTP16-ELC-AL - Housing

1412581

<https://www.phoenixcontact.com/us/products/1412581>

WP-GT PP HF PG16 - Screw connection

3241005

<https://www.phoenixcontact.com/us/products/3241005>



Cable gland made from PP with Pg thread, rotatable, IP54 protection

WP-G BRASS IP40 PG16 - Screw connection

3241040

<https://www.phoenixcontact.com/us/products/3241040>



Cable gland made from brass with Pg thread, IP40 protection

HC-STA-B10-CHWD-1TTP16-ELC-AL - Housing



1412581

<https://www.phoenixcontact.com/us/products/1412581>

WP-GT BRASS PG16 - Screw connection

3241026

<https://www.phoenixcontact.com/us/products/3241026>



Cable gland made from brass with Pg thread, rotatable, IP40 protection

WP-G BRASS IP65 PG16 - Screw connection

3241054

<https://www.phoenixcontact.com/us/products/3241054>



Cable gland made from brass with Pg thread, IP65 protection

Phoenix Contact 2024 © - all rights reserved
<https://www.phoenixcontact.com>

Phoenix Contact USA
586 Fulling Mill Road
Middletown, PA 17057, United States
(+717) 944-1300
info@phoenixcon.com