

HC-STA-B16-CHWS-1TTM25-ELC-AL - Housing



1412645

<https://www.phoenixcontact.com/us/products/1412645>

Please be informed that the data shown in this PDF document is generated from our online catalog. Please find the complete data in the user documentation. Our general terms of use for downloads are valid.



Coupling housings B16, with single locking latch, material: Die-cast aluminum, salt water resistant, cable outlets: 1, straight, 1x M25, height: 79 mm, cable gland: none, Standard

Your advantages

- Good shielding in the event of electromagnetic interference

Commercial data

Item number	1412645
Packing unit	1 pc
Minimum order quantity	1 pc
Sales key	BF56
Product key	BF7APB
Catalog page	Page 619 (C-2-2019)
GTIN	4055626058900
Weight per piece (including packing)	263.5 g
Weight per piece (excluding packing)	260.8 g
Customs tariff number	85389099
Country of origin	CN

1412645

<https://www.phoenixcontact.com/us/products/1412645>

Technical data

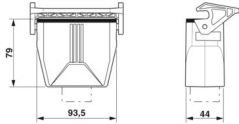
Notes

General	For contact inserts HC-B16, BB32, D40, DD72, HS6, HV6, M, K
---------	---

Product properties

Product type	Housing with locking latch
Housing type	Coupling housings
Application	Standard
Type	B16
No. of cable outlets	1
Type of the screw connection	1x M25
Cable outlet	straight
Pg screw connection	none

Dimensions

Dimensional drawing	
Width	44 mm
Height	79 mm
Length	93.5 mm

Material specifications

Flammability rating according to UL 94	V0 (Interlock)
Seal material	NBR, conductive
Housing material	Die-cast aluminum, salt water resistant
Housing surface material	uncoated
Locking latch material	PA

Mechanical properties

Mechanical data

Type of the screw connection	1x M25
Locking type	Latch

Environmental and real-life conditions

Ambient conditions

Degree of protection	IP66
	IP67
Enclosure rating (NEMA)	4 (UL 50e)
	4X (UL 50e)

HC-STA-B16-CHWS-1TTM25-ELC-AL - Housing



1412645

<https://www.phoenixcontact.com/us/products/1412645>

	12 (UL 50e)
Impact strength	IK08
Ambient temperature (operation)	-40 °C ... 125 °C

HC-STA-B16-CHWS-1TTM25-ELC-AL - Housing

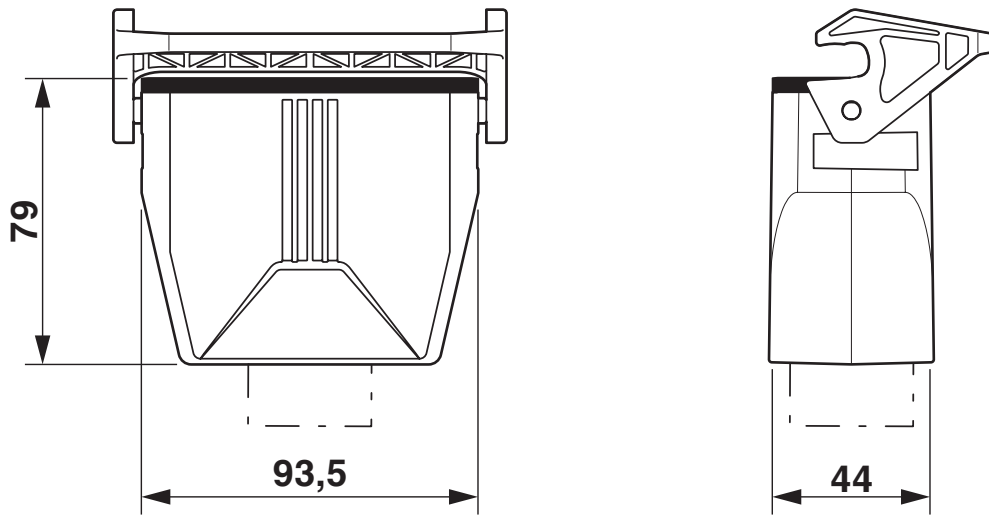


1412645

<https://www.phoenixcontact.com/us/products/1412645>

Drawings

Dimensional drawing



Dimensional drawing

1412645

<https://www.phoenixcontact.com/us/products/1412645>

Approvals

To download certificates, visit the product detail page: <https://www.phoenixcontact.com/us/products/1412645>

DNV

Approval ID: TAE000037S



cUL Recognized

Approval ID: E255026



UL Recognized

Approval ID: E255026



EAC

Approval ID: RU C-DE.AI30.B.01102



EAC

Approval ID: RU C-DE.BL08.B.00511

cULus Recognized

1412645

<https://www.phoenixcontact.com/us/products/1412645>

Classifications

ECLASS

ECLASS-11.0	27440202
ECLASS-12.0	27440202
ECLASS-13.0	27440202

ETIM

ETIM 9.0	EC000437
----------	----------

UNSPSC

UNSPSC 21.0	31261500
-------------	----------

1412645

<https://www.phoenixcontact.com/us/products/1412645>

Environmental product compliance

EU RoHS

Fulfills EU RoHS substance requirements	Yes, No exemptions
---	--------------------

China RoHS

Environment friendly use period (EFUP)	EFUP-E
	No hazardous substances above the limits

EU REACH SVHC

REACH candidate substance (CAS No.)	No substance above 0.1 wt%
-------------------------------------	----------------------------

1412645

<https://www.phoenixcontact.com/us/products/1412645>

Accessories

G-INS-M25-M68N-NNES-S - Cable gland

1411165

<https://www.phoenixcontact.com/us/products/1411165>



Cable gland, material for screw connection: Brass, nickel-plated, application: Standard, external cable diameter 11 mm ... 17 mm, shielding: no, connecting thread: M25 x 1.5, color: silver, with O-ring

G-INSEC-M25-S68N-NCRS-S - Cable gland

1411190

<https://www.phoenixcontact.com/us/products/1411190>



Cable gland, material for screw connection: Brass, nickel-plated, application: EMC, external cable diameter 11 mm ... 16 mm, shielding: yes, connecting thread: M25 x 1.5, color: silver, with O-ring

HC-STA-B16-CHWS-1TTM25-ELC-AL - Housing



1412645

<https://www.phoenixcontact.com/us/products/1412645>

US-EMLP (20X9) CUS - Plastic label

0830085

<https://www.phoenixcontact.com/us/products/0830085>

Plastic label, can be ordered: by card, white, labeled according to customer specifications, mounting type: adhesive, lettering field size: 20 x 9 mm, Number of individual labels: 75



HC-B16-SP-CBK - Profile gasket

1411480

<https://www.phoenixcontact.com/us/products/1411480>

Profile gasket for HEAVYCON EVO supporting base element type B16, conductive



HC-STA-B16-CHWS-1TTM25-ELC-AL - Housing



1412645

<https://www.phoenixcontact.com/us/products/1412645>

HC-STA-B10-SL-PLBK - Housing brackets

1412804

<https://www.phoenixcontact.com/us/products/1412804>



Single locking latch for B10 housing, HC-EVO....AL and HC-STA....AL

HC-B16-BCFS-P-BK - Protective cover

1346537

<https://www.phoenixcontact.com/us/products/1346537>



Protective cover B16, for single locking latch, protective cover material: PC, height: 26.3 mm, seal: no

HC-STA-B16-CHWS-1TTM25-ELC-AL - Housing

1412645

<https://www.phoenixcontact.com/us/products/1412645>



HC-STA-B16-DC-PL - Protective cover

1421102

<https://www.phoenixcontact.com/us/products/1421102>



Protective cover, design: B16

WP-G HF IP66 M25 BK - Screw connection

3240899

<https://www.phoenixcontact.com/us/products/3240899>



Cable gland, metric thread, IP66 protection, straight

HC-STA-B16-CHWS-1TTM25-ELC-AL - Housing

1412645

<https://www.phoenixcontact.com/us/products/1412645>

WP-G HF IP69K M25 BK - Screw connection

3240885

<https://www.phoenixcontact.com/us/products/3240885>

Cable gland, metric thread, IP68/69k protection, straight



WP-GA HF IP66 M25 BK - Screw connection

3240927

<https://www.phoenixcontact.com/us/products/3240927>

Cable gland, metric thread, IP66 protection, angled



HC-STA-B16-CHWS-1TTM25-ELC-AL - Housing

1412645

<https://www.phoenixcontact.com/us/products/1412645>

WP-GA HF IP69K M25 BK - Screw connection

3240913

<https://www.phoenixcontact.com/us/products/3240913>

Cable gland, metric thread, IP68/69k protection, angled



WP-GR HF IP66 M25 BK - Screw connection

3240955

<https://www.phoenixcontact.com/us/products/3240955>

Cable gland, metric thread, IP66 protection, with strain relief



HC-STA-B16-CHWS-1TTM25-ELC-AL - Housing

1412645

<https://www.phoenixcontact.com/us/products/1412645>

WP-GR HF IP69K M25 BK - Screw connection

3240941

<https://www.phoenixcontact.com/us/products/3240941>



Cable gland, metric thread, IP68/69k protection, with strain relief

WP-G PP HF M25 - Screw connection

3240999

<https://www.phoenixcontact.com/us/products/3240999>



Cable gland made from PP with metric thread, IP65 protection

HC-STA-B16-CHWS-1TTM25-ELC-AL - Housing

1412645

<https://www.phoenixcontact.com/us/products/1412645>

WP-GT PP HF M25 - Screw connection

3241013

<https://www.phoenixcontact.com/us/products/3241013>



Cable gland made from PP with metric thread, rotatable, IP54 protection

WP-G BRASS IP40 M25 - Screw connection

3241048

<https://www.phoenixcontact.com/us/products/3241048>



Cable gland made from brass with metric thread, IP40 protection

HC-STA-B16-CHWS-1TTM25-ELC-AL - Housing



1412645

<https://www.phoenixcontact.com/us/products/1412645>

WP-GT BRASS M25 - Screw connection

3241034

<https://www.phoenixcontact.com/us/products/3241034>

Cable gland made from brass with metric thread, rotatable, IP40 protection



WP-G BRASS IP65 M25 - Screw connection

3241062

<https://www.phoenixcontact.com/us/products/3241062>

Cable gland made from brass with metric thread, IP65 protection



Phoenix Contact 2024 © - all rights reserved
<https://www.phoenixcontact.com>

Phoenix Contact USA
586 Fulling Mill Road
Middletown, PA 17057, United States
(+717) 944-1300
info@phoenixcon.com