

HC-STA-B16-HHFD-1STM32-EL-AL - Housing



1412649

<https://www.phoenixcontact.com/lt/products/1412649>

Please be informed that the data shown in this PDF document is generated from our online catalog. Please find the complete data in the user documentation. Our general terms of use for downloads are valid.



Sleeve housing B16, for double locking latch, material: Die-cast aluminum, salt water resistant, cable outlets: 1, lateral, 1x M32, height: 76 mm, cable gland: none, Standard

Your advantages

- Good shielding in the event of electromagnetic interference

Commercial data

Item number	1412649
Packing unit	1 pc
Minimum order quantity	1 pc
Sales key	BF7
Product key	BF7APB
Catalog page	Page 624 (C-2-2019)
GTIN	4055626059679
Weight per piece (including packing)	218.6 g
Weight per piece (excluding packing)	218.6 g
Customs tariff number	85389099
Country of origin	PL

HC-STA-B16-HHFD-1STM32-EL-AL - Housing



1412649

<https://www.phoenixcontact.com/it/products/1412649>

Technical data

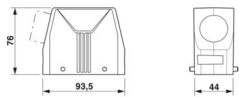
Notes

General	For contact inserts HC-B16, BB32, D40, DD72, HS6, HV6, M, K
General	also available as a powder-coated or color version: 1372777 HC-STA-B16-HHFD-1STM32-EL/...

Product properties

Type	B16
Product type	Housing with locking latch
Application	Standard
No. of cable outlets	1
Type of the screw connection	1x M32
Housing type	Sleeve housing
Cable outlet	lateral
Pg screw connection	none

Dimensions

Dimensional drawing	
Width	44 mm
Height	76 mm
Length	93.5 mm

Material specifications

Housing surface material	uncoated
Impact strength	IK09
Housing material	Die-cast aluminum, salt water resistant

Mechanical properties

Mechanical data

Type of the screw connection	1x M32
Locking type	Pin

Environmental and real-life conditions

Ambient conditions

Degree of protection	IP66
	IP67
Enclosure rating (NEMA)	4 (UL 50e)
	4X (UL 50e)

HC-STA-B16-HHFD-1STM32-EL-AL - Housing



1412649

<https://www.phoenixcontact.com/it/products/1412649>

	12 (UL 50e)
Impact strength	IK09
Ambient temperature (operation)	-40 °C ... 125 °C

HC-STA-B16-HHFD-1STM32-EL-AL - Housing

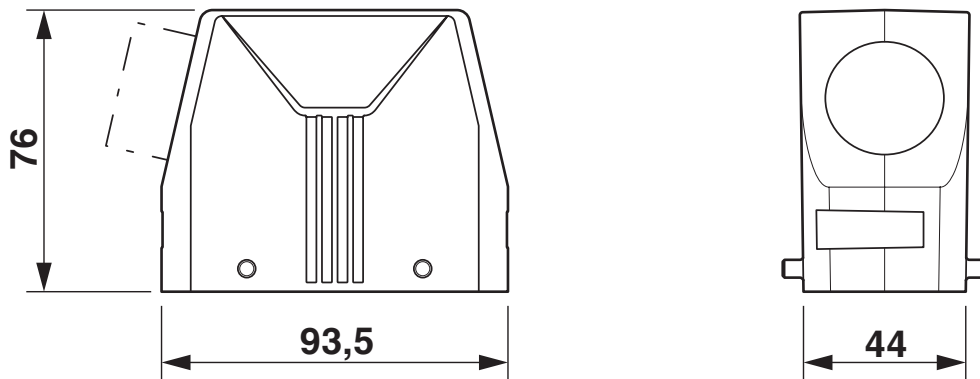


1412649

<https://www.phoenixcontact.com/it/products/1412649>

Drawings

Dimensional drawing




Dimensional drawing

1412649

<https://www.phoenixcontact.com/it/products/1412649>

Approvals

 To download certificates, visit the product detail page: <https://www.phoenixcontact.com/it/products/1412649>

DNV

Approval ID: TAE000037S



cUL Recognized

Approval ID: E255026



UL Recognized

Approval ID: E255026



EAC

Approval ID: RU C-DE.BL08.B.00511

cULus Recognized

1412649

<https://www.phoenixcontact.com/it/products/1412649>

Classifications

ECLASS

ECLASS-11.0	27440202
ECLASS-12.0	27440202
ECLASS-13.0	27440202

ETIM

ETIM 9.0	EC000437
----------	----------

UNSPSC

UNSPSC 21.0	31261500
-------------	----------

1412649

<https://www.phoenixcontact.com/lt/products/1412649>

Environmental product compliance

China RoHS	Environmentally friendly use period: unlimited = EFUP-e No hazardous substances above threshold values
------------	---

Phoenix Contact 2024 © - all rights reserved
<https://www.phoenixcontact.com>

Phoenix Contact UAB
Svitrigailos str. 11B
03228 Vilnius
+370 5 2106321
balticinfo@phoenixcontact.com