

# HC-STA-B16-SLWS-2SSM32-ELC-AL - Housing



1412862

<https://www.phoenixcontact.com/pc/products/1412862>

Please be informed that the data shown in this PDF document is generated from our online catalog. Please find the complete data in the user documentation. Our general terms of use for downloads are valid.



Box mounting bases B16, with single locking latch, material: Die-cast aluminum, salt water resistant, cable outlets: 2, lateral, 2x M32, height: 68 mm, cable gland: none, Standard

## Your advantages

- Good shielding in the event of electromagnetic interference

## Commercial data

Item number	1412862
Packing unit	1 pc
Minimum order quantity	1 pc
Product key	BF7APB
Catalog page	Page 619 (C-2-2019)
GTIN	4055626061115
Weight per piece (including packing)	292.8 g
Weight per piece (excluding packing)	291.3 g
Customs tariff number	85389099
Country of origin	PL

# HC-STA-B16-SLWS-2SSM32-ELC-AL - Housing



1412862

<https://www.phoenixcontact.com/pc/products/1412862>

## Technical data

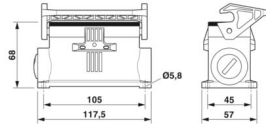
### Notes

General	For contact inserts HC-B16, BB32, D40, DD72, HS6, HV6, M, K
General	also available as a powder-coated or color version: 1372635 HC-STA-B16-SLWS-2SSM32-EL/.../...

### Product properties

Product type	Housing with locking latch
Application	Standard
Type	B16
No. of cable outlets	2
Type of the screw connection	2x M32
Housing type	Box mounting bases
Cable outlet	lateral
Pg screw connection	none

### Dimensions

Dimensional drawing	
Width	57 mm
Height	68 mm
Length	117.5 mm
Hole diameter	5.5 mm

### Material specifications

Flammability rating according to UL 94	V0 (Interlock)
Seal material	NBR, conductive
Housing material	Die-cast aluminum, salt water resistant
Housing surface material	uncoated
Locking latch material	PA
Impact strength	IK08

### Mechanical properties

#### Mechanical data

Type of the screw connection	2x M32
Locking type	Latch

### Mounting

Assembly instructions	One opening is sealed with a plastic filler plug and can be opened using a screwdriver.
-----------------------	---

1412862

<https://www.phoenixcontact.com/pc/products/1412862>

## Environmental and real-life conditions

### Ambient conditions

Degree of protection	IP66
	IP67
Enclosure rating (NEMA)	4 (UL 50e)
	4X (UL 50e)
	12 (UL 50e)
Impact strength	IK08
Ambient temperature (operation)	-40 °C ... 125 °C

Phoenix Contact 2024 © - all rights reserved

<https://www.phoenixcontact.com>

PHOENIX CONTACT GmbH & Co. KG

Flachsmarktstraße 8

D-32825 Blomberg

+49 (0) 5235-3 00

[info@phoenixcontact.com](mailto:info@phoenixcontact.com)