

# HC-ADV-B10-HHWH-1STM32-EMC-AL - Housing



1413403

<https://www.phoenixcontact.com/us/products/1413403>

Please be informed that the data shown in this PDF document is generated from our online catalog. Please find the complete data in the user documentation. Our general terms of use for downloads are valid.



HEAVYCON ADVANCE sleeve housing, B10, with stainless steel screw locking (Allen screw), salt-water-resistant aluminum, height 93.7 mm, with 1x M32 thread, lateral cable outlet, without surface; conductive seal (EMC properties)

## Commercial data

Item number	1413403
Packing unit	1 pc
Minimum order quantity	1 pc
Sales key	BF58
Product key	BF7APH
Catalog page	Page 603 (C-2-2019)
GTIN	4055626030371
Weight per piece (including packing)	270.1 g
Weight per piece (excluding packing)	263.6 g
Customs tariff number	85389099
Country of origin	PL

1413403

<https://www.phoenixcontact.com/us/products/1413403>

## Technical data

### Notes

General	For contact inserts HC-B10, BB18, DD42, M, K8/24
---------	--

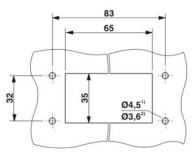
### Product properties

Product type	Housing with screw locking
Housing type	Sleeve housing
Product family	HC-ADV
Application	Offshore/EMC
Type	B10
No. of cable outlets	1
Type of the screw connection	1x M32
Fixing screws	M6 (screw head: 5 mm Allen screw)
Cable outlet	lateral
Pg screw connection	none

### Connection data

Tightening torque	3 Nm ... 5 Nm (for M6 mounting screws on the sleeve housing)
-------------------	--

### Dimensions

Dimensional drawing	
Width	57 mm
Height	93.7 mm
Length	105 mm

### Installation dimensions

Width of the assembly cutout	35 mm
Length of the assembly cutout	65 mm

### Material specifications

Seal material	NBR, conductive
Housing material	Die-cast aluminum, salt water resistant
Housing surface material	uncoated
Locking latch material	Stainless steel

### Environmental and real-life conditions

#### Ambient conditions

Degree of protection	IP66
	IP68 (0.2 bar/24 h)

1413403

<https://www.phoenixcontact.com/us/products/1413403>

	IP69 (ISO 20653:2013-02)
Enclosure rating (NEMA)	4 (UL 50e)
	4X (UL 50e)
	12 (UL 50e)
Impact strength	IK09
Ambient temperature (operation)	-40 °C ... 125 °C

## Mechanical properties

### Mechanical data

Type of the screw connection	1x M32
Locking type	Screw

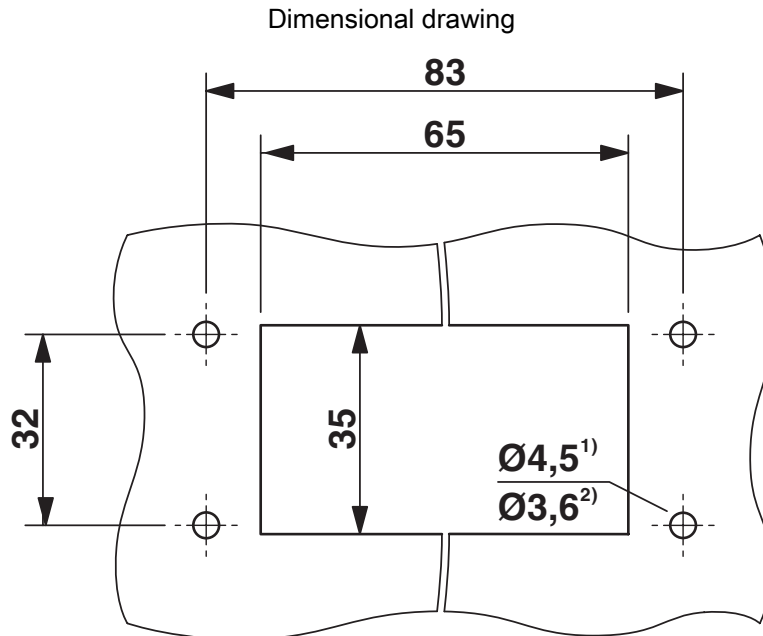
## Mounting

Assembly note	In order to guarantee that the protective conductor contact functions even when plugged in at an angle, the two panel-mount flanges must have sufficient electrical contact with the metal mounting panel.
Fixing screws	M6 (screw head: 5 mm Allen screw)

1413403

<https://www.phoenixcontact.com/us/products/1413403>

## Drawings

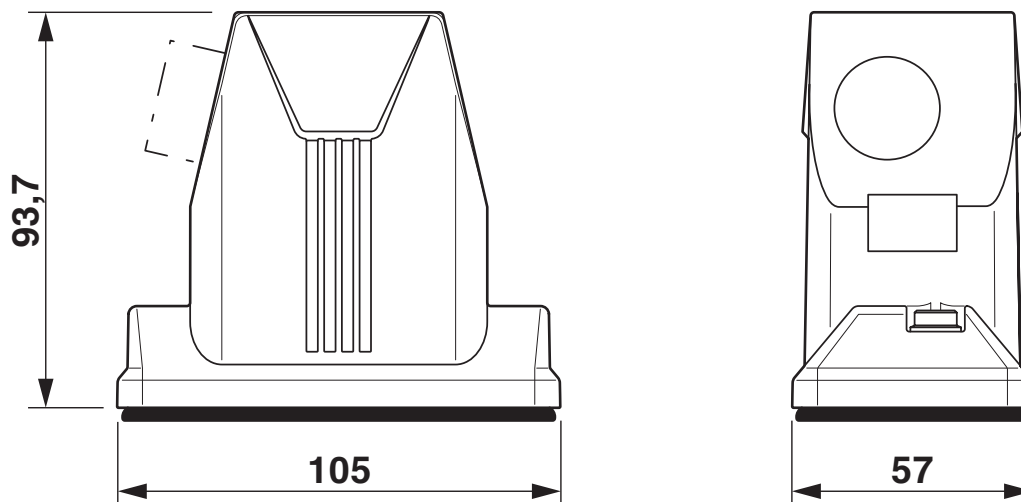


Mounting cutout

1) when M4 screws are used

2) when self-tapping Torx® screws are used (Torx® 20, M4)

Dimensional drawing



Dimensional drawing

1413403

<https://www.phoenixcontact.com/us/products/1413403>

## Approvals

🔗 To download certificates, visit the product detail page: <https://www.phoenixcontact.com/us/products/1413403>

**DNV**

Approval ID: TAE000037S



**cUL Recognized**

Approval ID: E255026



**UL Recognized**

Approval ID: E255026



**EAC**

Approval ID: RU C-DE.AI30.B.01102



**EAC**

Approval ID: RU C-DE.BL08.B.00511

**cULus Recognized**

1413403

<https://www.phoenixcontact.com/us/products/1413403>

## Classifications

### ECLASS

ECLASS-11.0	27440202
ECLASS-12.0	27440202
ECLASS-13.0	27440202

### ETIM

ETIM 9.0	EC000437
----------	----------

### UNSPSC

UNSPSC 21.0	31261500
-------------	----------

1413403

<https://www.phoenixcontact.com/us/products/1413403>

## Environmental product compliance

### EU RoHS

Fulfills EU RoHS substance requirements	Yes, No exemptions
---	--------------------

### China RoHS

Environment friendly use period (EFUP)	EFUP-E
	No hazardous substances above the limits

### EU REACH SVHC

REACH candidate substance (CAS No.)	No substance above 0.1 wt%
-------------------------------------	----------------------------

# HC-ADV-B10-HHWH-1STM32-EMC-AL - Housing



1413403

<https://www.phoenixcontact.com/us/products/1413403>

## Accessories

### HC-B-AF - Panel-mount flange

1686533

<https://www.phoenixcontact.com/us/products/1686533>



Panel-mount flange for HEAVYCON ADVANCE housing

---

### HC-B-AF-SET - Panel-mount flange

1604638

<https://www.phoenixcontact.com/us/products/1604638>



Panel-mount flange for HEAVYCON ADVANCE housing, set consisting of: 2 panel-mount flanges with 4 self-tapping screws (M4, Torx<sup>®</sup>) and 4 fan-type washers

# HC-ADV-B10-HHWH-1STM32-EMC-AL - Housing



1413403

<https://www.phoenixcontact.com/us/products/1413403>

## HC-B 10-TMS-SD-IP50 - Protective cover

1690749

<https://www.phoenixcontact.com/us/products/1690749>



Protective cover B10, with clip locking, protective cover material: PA, height: 31.2 mm, seal: no, with lanyard

---

## HC-B 10-TMS-SD-IP66 - Protective cover

1411504

<https://www.phoenixcontact.com/us/products/1411504>



HEAVYCON ADVANCE, IP66, B10 protective cover for panel mounting side, with screw locking, with retaining cord, diameter of retaining cord eyelet: 3 mm

# HC-ADV-B10-HHWH-1STM32-EMC-AL - Housing

1413403

<https://www.phoenixcontact.com/us/products/1413403>

## G-INS-M32-M68N-PNES-GY - Cable gland

1411127

<https://www.phoenixcontact.com/us/products/1411127>



Cable gland, material for screw connection: PA, application: Standard, external cable diameter 15 mm ... 21 mm, shielding: no, connecting thread: M32 x 1.5, color: silver-grey RAL 7001

---

## G-INS-M32-M68N-NNES-S - Cable gland

1411166

<https://www.phoenixcontact.com/us/products/1411166>



Cable gland, material for screw connection: Brass, nickel-plated, application: Standard, external cable diameter 15 mm ... 21 mm, shielding: no, connecting thread: M32 x 1.5, color: silver, with O-ring

# HC-ADV-B10-HHWH-1STM32-EMC-AL - Housing



1413403

<https://www.phoenixcontact.com/us/products/1413403>

## HC-M-KV-M32(19-27) - Cable gland

1646010

<https://www.phoenixcontact.com/us/products/1646010>



Metal screw connection up to 5 bar, thread length: 8 mm, cable diameter: 19 - 27 mm, WAF 43, screw connection: M32

---

## US-EMLP-HA (20X9) - Plastic label

0830989

<https://www.phoenixcontact.com/us/products/0830989>



Plastic label, Card, white, unlabeled, can be labeled with: BLUEMARK ID COLOR, BLUEMARK ID, THERMOMARK PRIME, THERMOMARK CARD 2.0, THERMOMARK CARD, mounting type: adhesive, lettering field size: 20 x 9 mm, Number of individual labels: 70

# HC-ADV-B10-HHWH-1STM32-EMC-AL - Housing



1413403

<https://www.phoenixcontact.com/us/products/1413403>

## US-EMLP-HA (20X9) CUS - Plastic label

0830995

<https://www.phoenixcontact.com/us/products/0830995>

Plastic label, Card, white, labeled, can be labeled with: THERMOMARK CARD, mounting type: adhesive, lettering field size: 20 x 9 mm, Number of individual labels: 70



---

## WP-G HF IP66 M32 BK - Screw connection

3240900

<https://www.phoenixcontact.com/us/products/3240900>

Cable gland, metric thread, IP66 protection, straight



# HC-ADV-B10-HHWH-1STM32-EMC-AL - Housing

1413403

<https://www.phoenixcontact.com/us/products/1413403>



## WP-G HF IP69K M32 BK - Screw connection

3240886

<https://www.phoenixcontact.com/us/products/3240886>



Cable gland, metric thread, IP68/69k protection, straight

---

## WP-GA HF IP66 M32 BK - Screw connection

3240928

<https://www.phoenixcontact.com/us/products/3240928>



Cable gland, metric thread, IP66 protection, angled

# HC-ADV-B10-HHWH-1STM32-EMC-AL - Housing

1413403

<https://www.phoenixcontact.com/us/products/1413403>



## WP-GA HF IP69K M32 BK - Screw connection

3240914

<https://www.phoenixcontact.com/us/products/3240914>

Cable gland, metric thread, IP68/69k protection, angled



---

## WP-GR HF IP66 M32 BK - Screw connection

3240956

<https://www.phoenixcontact.com/us/products/3240956>

Cable gland, metric thread, IP66 protection, with strain relief



# HC-ADV-B10-HHWH-1STM32-EMC-AL - Housing

1413403

<https://www.phoenixcontact.com/us/products/1413403>

## WP-GR HF IP69K M32 BK - Screw connection

3240942

<https://www.phoenixcontact.com/us/products/3240942>



Cable gland, metric thread, IP68/69k protection, with strain relief

---

## WP-G PP HF M32 - Screw connection

3241000

<https://www.phoenixcontact.com/us/products/3241000>



Cable gland made from PP with metric thread, IP65 protection

# HC-ADV-B10-HHWH-1STM32-EMC-AL - Housing



1413403

<https://www.phoenixcontact.com/us/products/1413403>

## WP-GT PP HF M32 - Screw connection

3241014

<https://www.phoenixcontact.com/us/products/3241014>



Cable gland made from PP with metric thread, rotatable, IP54 protection

---

## WP-G BRASS IP40 M32 - Screw connection

3241049

<https://www.phoenixcontact.com/us/products/3241049>



Cable gland made from brass with metric thread, IP40 protection

# HC-ADV-B10-HHWH-1STM32-EMC-AL - Housing

1413403

<https://www.phoenixcontact.com/us/products/1413403>

## WP-GT BRASS M32 - Screw connection

3241035

<https://www.phoenixcontact.com/us/products/3241035>



Cable gland made from brass with metric thread, rotatable, IP40 protection

---

## WP-G BRASS IP65 M32 - Screw connection

3241063

<https://www.phoenixcontact.com/us/products/3241063>



Cable gland made from brass with metric thread, IP65 protection

# HC-ADV-B10-HHWH-1STM32-EMC-AL - Housing



1413403

<https://www.phoenixcontact.com/us/products/1413403>

## SF-BIT-HEXB 5-89 - Screw insert

1208911

<https://www.phoenixcontact.com/us/products/1208911>



Screw bit, hexagonal with ball head, E6.3-1/4" drive, size: Hex 5 x 89 mm, hardened, suitable for holder according to DIN 3126-F 6.3/ISO 1173

---

## SF-M BH - Screwdriver

1212070

<https://www.phoenixcontact.com/us/products/1212070>



Bit screwdriver, with 1/4" quick-action chuck, handle length 119 mm, 2-component handle, with non-slip grip, suitable for bits according to DIN 3126-C 6.3 and E 6.3/ISO 1173, magnetic

---

Phoenix Contact 2024 © - all rights reserved  
<https://www.phoenixcontact.com>

Phoenix Contact USA  
586 Fulling Mill Road  
Middletown, PA 17057, United States  
(+717) 944-1300  
[info@phoenixcon.com](mailto:info@phoenixcon.com)