

HC-ADV-B16-HHWH-1STM40-EMC-AL - Housing



1413419

<https://www.phoenixcontact.com/us/products/1413419>

Please be informed that the data shown in this PDF document is generated from our online catalog. Please find the complete data in the user documentation. Our general terms of use for downloads are valid.



HEAVYCON ADVANCE sleeve housing, B16, with stainless steel screw locking (Allen screw), salt-water-resistant aluminum, height 93.7 mm, with thread, 1 x M40 lateral cable outlet, without surface; conductive seal (EMC properties)

Commercial data

Item number	1413419
Packing unit	1 pc
Minimum order quantity	1 pc
Sales key	BF58
Product key	BF7APH
Catalog page	Page 617 (C-2-2019)
GTIN	4055626030418
Weight per piece (including packing)	309.5 g
Weight per piece (excluding packing)	306.4 g
Customs tariff number	85389099
Country of origin	CN

1413419

<https://www.phoenixcontact.com/us/products/1413419>

Technical data

Notes

General	For contact inserts HC-B16, BB32, D40, DD72, HS6, HV6, M, K
---------	---

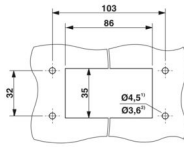
Product properties

Product type	Housing with screw locking
Housing type	Sleeve housing
Product family	HC-ADV
Application	Offshore/EMC
Type	B16
No. of cable outlets	1
Type of the screw connection	1x M40
Type	Tall design
Fixing screws	M6 (screw head: 5 mm Allen screw)
Cable outlet	lateral
Pg screw connection	none

Connection data

Tightening torque	3 Nm ... 5 Nm (for M6 mounting screws on the sleeve housing)
-------------------	--

Dimensions

Dimensional drawing	
Width	57 mm
Height	93.7 mm
Length	125.5 mm

Installation dimensions

Width of the assembly cutout	35 mm
Length of the assembly cutout	86 mm

Material specifications

Seal material	NBR, conductive
Housing material	Die-cast aluminum, salt water resistant
Housing surface material	uncoated
Locking latch material	Stainless steel

Environmental and real-life conditions

Ambient conditions

IP66

1413419

<https://www.phoenixcontact.com/us/products/1413419>

Degree of protection	IP68 (0.2 bar/24 h)
	IP69 (ISO 20653:2013-02)
Enclosure rating (NEMA)	4 (UL 50e)
	4X (UL 50e)
	12 (UL 50e)
Impact strength	IK09
Ambient temperature (operation)	-40 °C ... 125 °C

Mechanical properties

Mechanical data

Type of the screw connection	1x M40
Locking type	Screw

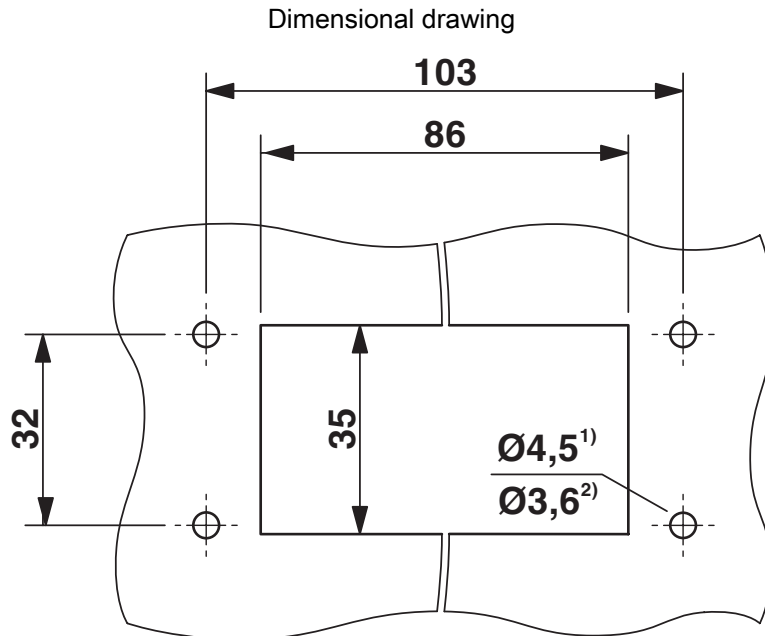
Mounting

Assembly note	In order to guarantee that the protective conductor contact functions even when plugged in at an angle, the two panel-mount flanges must have sufficient electrical contact with the metal mounting panel.
Fixing screws	M6 (screw head: 5 mm Allen screw)

1413419

<https://www.phoenixcontact.com/us/products/1413419>

Drawings

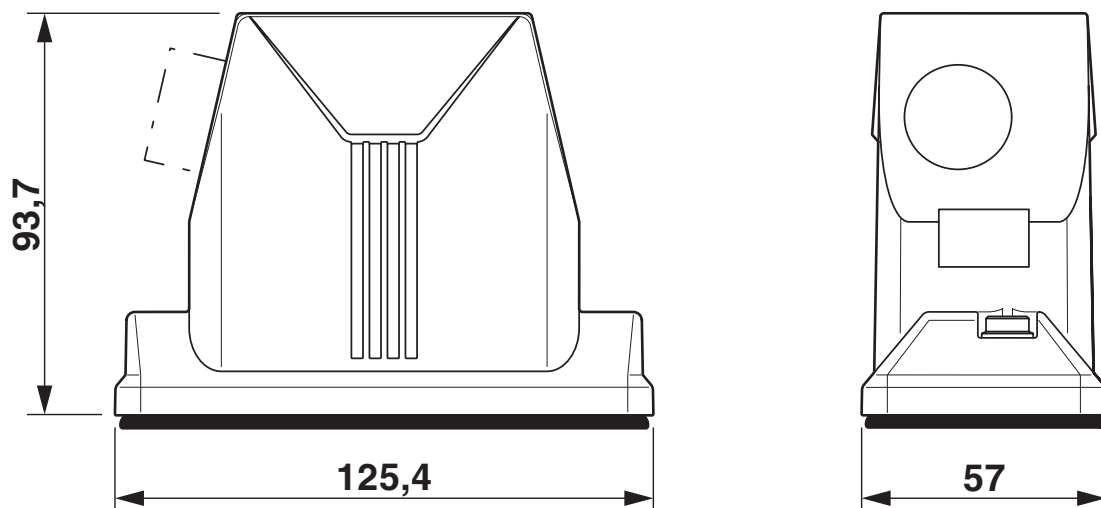


Mounting cutout

1) when M4 screws are used

2) when self-tapping Torx® screws are used (Torx® 20, M4)

Dimensional drawing



Dimensional drawing

1413419

<https://www.phoenixcontact.com/us/products/1413419>

Approvals

🔗 To download certificates, visit the product detail page: <https://www.phoenixcontact.com/us/products/1413419>

DNV

Approval ID: TAE000037S



cUL Recognized

Approval ID: E255026



UL Recognized

Approval ID: E255026



EAC

Approval ID: RU C-DE.AI30.B.01102



EAC

Approval ID: RU C-DE.BL08.B.00511

cULus Recognized

1413419

<https://www.phoenixcontact.com/us/products/1413419>

Classifications

ECLASS

ECLASS-11.0	27440202
ECLASS-12.0	27440202
ECLASS-13.0	27440202

ETIM

ETIM 9.0	EC000437
----------	----------

UNSPSC

UNSPSC 21.0	31261500
-------------	----------

1413419

<https://www.phoenixcontact.com/us/products/1413419>

Environmental product compliance

EU RoHS

Fulfills EU RoHS substance requirements	Yes, No exemptions
---	--------------------

China RoHS

Environment friendly use period (EFUP)	EFUP-E
	No hazardous substances above the limits

EU REACH SVHC

REACH candidate substance (CAS No.)	No substance above 0.1 wt%
-------------------------------------	----------------------------

1413419

<https://www.phoenixcontact.com/us/products/1413419>

Accessories

HC-B-AF - Panel-mount flange

1686533

<https://www.phoenixcontact.com/us/products/1686533>



Panel-mount flange for HEAVYCON ADVANCE housing

HC-B-AF-SET - Panel-mount flange

1604638

<https://www.phoenixcontact.com/us/products/1604638>



Panel-mount flange for HEAVYCON ADVANCE housing, set consisting of: 2 panel-mount flanges with 4 self-tapping screws (M4, Torx[®]) and 4 fan-type washers

HC-ADV-B16-HHWH-1STM40-EMC-AL - Housing



1413419

<https://www.phoenixcontact.com/us/products/1413419>

HC-B 16-TMS-SD-IP50 - Protective cover

1690752

<https://www.phoenixcontact.com/us/products/1690752>



Protective cover B16, with clip locking, protective cover material: PA, height: 31.2 mm, seal: no, with lanyard

HC-B 16-TMS-SD-IP66 - Protective cover

1411517

<https://www.phoenixcontact.com/us/products/1411517>



HEAVYCON ADVANCE, IP66, B16 protective cover, for panel mounting side, with screw locking, with retaining cord, diameter of retaining cord eyelet: 3 mm

HC-ADV-B16-HHWH-1STM40-EMC-AL - Housing

1413419

<https://www.phoenixcontact.com/us/products/1413419>

G-INS-M40-M68N-PNES-GY - Cable gland

1411128

<https://www.phoenixcontact.com/us/products/1411128>



Cable gland, material for screw connection: PA, application: Standard, external cable diameter 19 mm ... 28 mm, shielding: no, connecting thread: M40 x 1.5, color: silver-grey RAL 7001

G-INS-M40-M68N-NNES-S - Cable gland

1411167

<https://www.phoenixcontact.com/us/products/1411167>



Cable gland, material for screw connection: Brass, nickel-plated, application: Standard, external cable diameter 19 mm ... 28 mm, shielding: no, connecting thread: M40 x 1.5, color: silver, with O-ring

HC-ADV-B16-HHWH-1STM40-EMC-AL - Housing

1413419

<https://www.phoenixcontact.com/us/products/1413419>

HC-M-KV-M40(27-34) - Cable gland

1607729

<https://www.phoenixcontact.com/us/products/1607729>



Metal screw connection up to 5 bar, thread length: 8 mm, cable diameter: 27 ... 34 mm, WAF 50, screw connection: M40

G-INSEC-M40-M68N-NCRS-S - Cable gland

1411192

<https://www.phoenixcontact.com/us/products/1411192>



Cable gland, material for screw connection: Brass, nickel-plated, application: EMC, external cable diameter 19 mm ... 27 mm, shielding: yes, connecting thread: M40 x 1.5, color: silver, with O-ring

HC-ADV-B16-HHWH-1STM40-EMC-AL - Housing



1413419

<https://www.phoenixcontact.com/us/products/1413419>

US-EMLP-HA (20X9) - Plastic label

0830989

<https://www.phoenixcontact.com/us/products/0830989>



Plastic label, Card, white, unlabeled, can be labeled with: BLUEMARK ID COLOR, BLUEMARK ID, THERMOMARK PRIME, THERMOMARK CARD 2.0, THERMOMARK CARD, mounting type: adhesive, lettering field size: 20 x 9 mm, Number of individual labels: 70

US-EMLP-HA (20X9) CUS - Plastic label

0830995

<https://www.phoenixcontact.com/us/products/0830995>



Plastic label, Card, white, labeled, can be labeled with: THERMOMARK CARD, mounting type: adhesive, lettering field size: 20 x 9 mm, Number of individual labels: 70

HC-ADV-B16-HHWH-1STM40-EMC-AL - Housing



1413419

<https://www.phoenixcontact.com/us/products/1413419>

WP-G HF IP66 M40 BK - Screw connection

3240901

<https://www.phoenixcontact.com/us/products/3240901>



Cable gland, metric thread, IP66 protection, straight

WP-G HF IP69K M40 BK - Screw connection

3240887

<https://www.phoenixcontact.com/us/products/3240887>



Cable gland, metric thread, IP68/69k protection, straight

HC-ADV-B16-HHWH-1STM40-EMC-AL - Housing



1413419

<https://www.phoenixcontact.com/us/products/1413419>

WP-GA HF IP66 M40 BK - Screw connection

3240929

<https://www.phoenixcontact.com/us/products/3240929>

Cable gland, metric thread, IP66 protection, angled



WP-GA HF IP69K M40 BK - Screw connection

3240915

<https://www.phoenixcontact.com/us/products/3240915>

Cable gland, metric thread, IP68/69k protection, angled



HC-ADV-B16-HHWH-1STM40-EMC-AL - Housing



1413419

<https://www.phoenixcontact.com/us/products/1413419>

WP-GR HF IP66 M40 BK - Screw connection

3240957

<https://www.phoenixcontact.com/us/products/3240957>



Cable gland, metric thread, IP66 protection, with strain relief

WP-GR HF IP69K M40 BK - Screw connection

3240943

<https://www.phoenixcontact.com/us/products/3240943>



Cable gland, metric thread, IP68/69k protection, with strain relief

HC-ADV-B16-HHWH-1STM40-EMC-AL - Housing



1413419

<https://www.phoenixcontact.com/us/products/1413419>

WP-G PP HF M40 - Screw connection

3241001

<https://www.phoenixcontact.com/us/products/3241001>

Cable gland made from PP with metric thread, IP65 protection



WP-GT PP HF M40 - Screw connection

3241015

<https://www.phoenixcontact.com/us/products/3241015>

Cable gland made from PP with metric thread, rotatable, IP54 protection



HC-ADV-B16-HHWH-1STM40-EMC-AL - Housing

1413419

<https://www.phoenixcontact.com/us/products/1413419>

WP-G BRASS IP40 M40 - Screw connection

3241050

<https://www.phoenixcontact.com/us/products/3241050>

Cable gland made from brass with metric thread, IP40 protection



WP-GT BRASS M40 - Screw connection

3241036

<https://www.phoenixcontact.com/us/products/3241036>

Cable gland made from brass with metric thread, rotatable, IP40 protection



HC-ADV-B16-HHWH-1STM40-EMC-AL - Housing



1413419

<https://www.phoenixcontact.com/us/products/1413419>

WP-G BRASS IP65 M40 - Screw connection

3241064

<https://www.phoenixcontact.com/us/products/3241064>

Cable gland made from brass with metric thread, IP65 protection



SF-BIT-HEXB 5-89 - Screw insert

1208911

<https://www.phoenixcontact.com/us/products/1208911>

Screw bit, hexagonal with ball head, E6.3-1/4" drive, size: Hex 5 x 89 mm, hardened, suitable for holder according to DIN 3126-F 6.3/ISO 1173



HC-ADV-B16-HHWH-1STM40-EMC-AL - Housing



1413419

<https://www.phoenixcontact.com/us/products/1413419>

SF-M BH - Screwdriver

1212070

<https://www.phoenixcontact.com/us/products/1212070>



Bit screwdriver, with 1/4" quick-action chuck, handle length 119 mm, 2-component handle, with non-slip grip, suitable for bits according to DIN 3126-C 6.3 and E 6.3/ISO 1173, magnetic

Phoenix Contact 2024 © - all rights reserved

<https://www.phoenixcontact.com>

Phoenix Contact USA
586 Fulling Mill Road
Middletown, PA 17057, United States
(+717) 944-1300
info@phoenixcon.com