

QPD T 3PE1,5 3X8-13 BK - T distributor



1414710

<https://www.phoenixcontact.com/us/products/1414710>

Please be informed that the data shown in this PDF document is generated from our online catalog. Please find the complete data in the user documentation. Our general terms of use for downloads are valid.



T distributor, product family: QPD, connection method: IDC connection, number of positions: 3+PE, 0.5 mm² ... 1.5 mm², 690 V, 17.5 A, PA, black, With three QUICKON nuts, coding: Coding profile, external cable diameter: 10 mm ... 13 mm

Your advantages

- Innovative and time saving - QUICKON fast connection for time saving of up to 80 % for on-site connection
- Robust throughout: housing with IP68/IP69K and IK07 protection for a wide range of applications
- Safer connection with mechanical coding to protect against mismatching, and touch-proof protection in accordance with DIN EN 0105
- Flexible and compact - by connecting connections internally, H and T-distributors can be used to branch master cables or they can be used as star distributors

Commercial data

Item number	1414710
Packing unit	1 pc
Minimum order quantity	1 pc
Sales key	BF50
Product key	BF6DBA
Catalog page	Page 473 (C-2-2019)
GTIN	4055626032061
Weight per piece (including packing)	123.6 g
Weight per piece (excluding packing)	124 g
Customs tariff number	85366990
Country of origin	PL

QPD T 3PE1,5 3X8-13 BK - T distributor



1414710

<https://www.phoenixcontact.com/us/products/1414710>

Technical data

Product properties

Product type	Power distributor
Product family	QPD
Type	T distributor
Number of positions	4
Connection profile	3+PE
Position marking	1, 2, 3, PE
Number of connections	3
No. of cable outlets	3
Coding	Coding profile

Insulation characteristics

Overvoltage category	III
Degree of pollution	3

Connection data

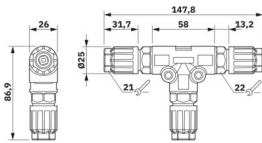
Connection technology

Connection method	IDC connection
Frequency of connections between conductors of the same cross section	max. 10

Conductor connection

Conductor cross section flexibel	0.5 mm ² ... 1.5 mm ²
Conductor cross section solid	0.5 mm ² ... 1.5 mm ²
Connection cross section AWG	20 ... 16
Tightening torque Union nut	8 Nm
Tightening torque Locking nut	5 Nm

Dimensions

Dimensional drawing	
Width	71.1 mm
Height	26 mm
Length	147.8 mm

Electrical properties

Rated surge voltage (II/2)	8 kV
Rated surge voltage (III/2)	8 kV
Rated surge voltage (III/3)	6 kV

QPD T 3PE1,5 3X8-13 BK - T distributor



1414710

<https://www.phoenixcontact.com/us/products/1414710>

Rated current	17.5 A
Contact resistance	< 3 mΩ
rated voltage (II/2)	1000 V
rated voltage (III/2)	1000 V
Rated voltage (III/3)	690 V
Nominal voltage U_N	690 V AC
	690 V DC
Nominal current I_N	17.5 A

Mechanical properties

Mechanical data

Insertion/withdrawal cycles	max. 50 (QUICKON connections max. 10)
-----------------------------	---------------------------------------

Material specifications

Color	black (RAL 9005)
Material Housing	PA
Material Contact	Cu
Material Contact surface	Silver-plated
Flammability rating according to UL 94	V0
Material wire insulation	PVC/PE/TPE/rubber

Cable/line

Structure of individual litz in acc. with VDE 0295 / smallest wire diameter	VDE 0295 class 1 to 6/min. 0.15 mm
External cable diameter	10 mm ... 13 mm
Wire diameter including insulation	1.6 mm ... 3 mm
Position marking	1, 2, 3, PE
Material wire insulation	PVC/PE/TPE/rubber

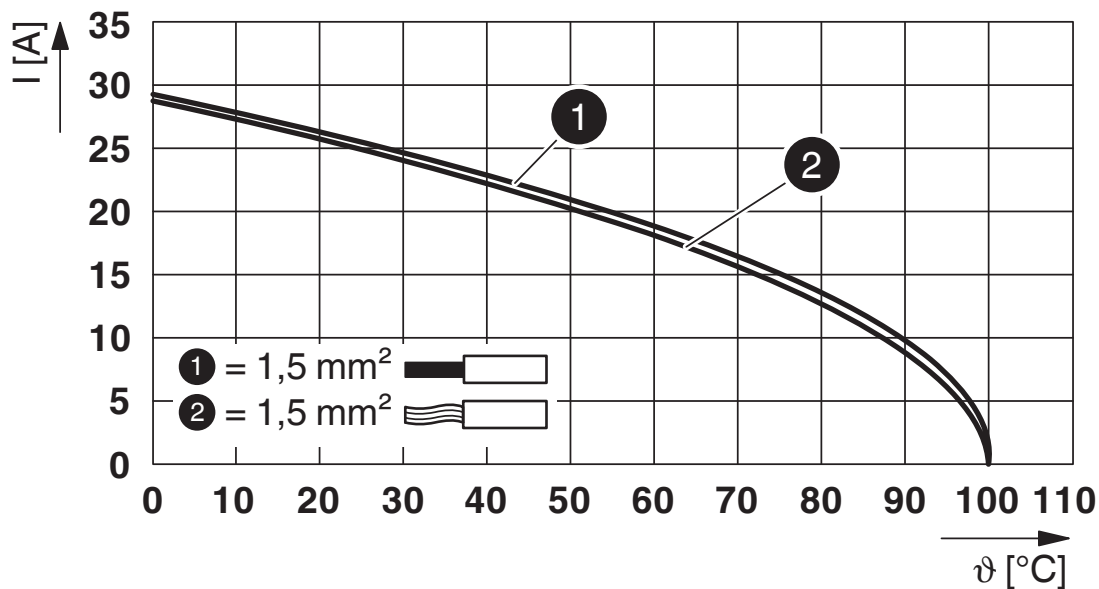
Environmental and real-life conditions

Ambient conditions

Degree of protection	IP66
	IP68 (2 m / 24 h)
	IP69K
Ambient temperature (operation)	-40 °C ... 100 °C
Temperature when conductor connected	-5 °C ... 50 °C
Ambient temperature (storage/transport)	-40 °C ... 100 °C

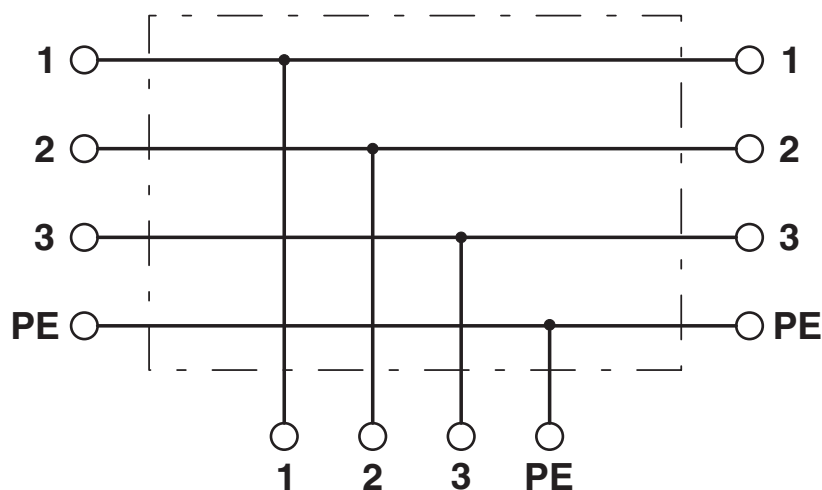
Drawings

Diagram



Derating diagram

Circuit diagram



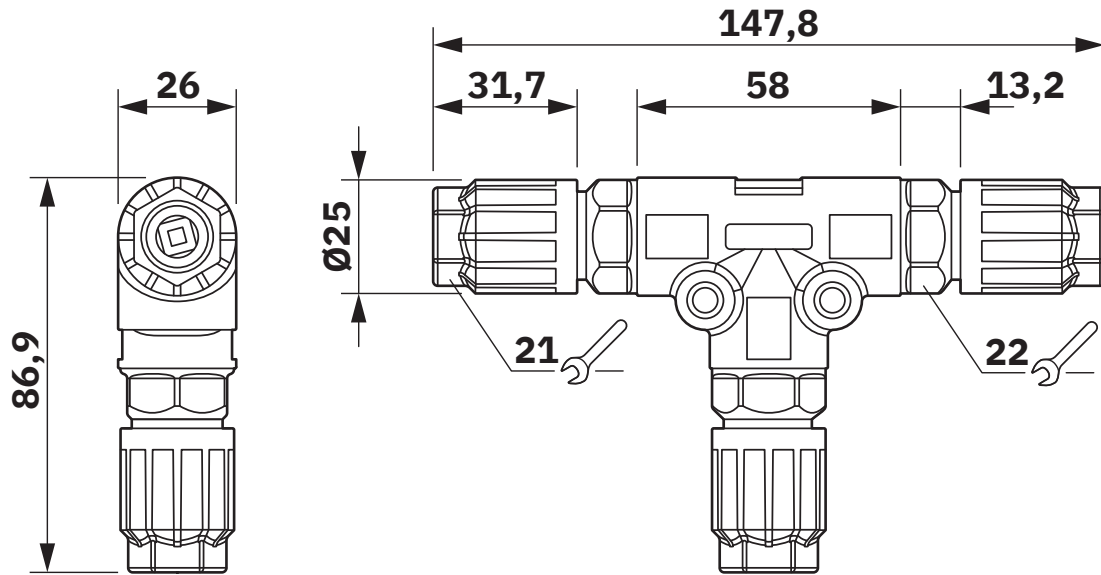
QPD T 3PE1,5 3X8-13 BK - T distributor



1414710

<https://www.phoenixcontact.com/us/products/1414710>

Dimensional drawing



Dimensional drawing

QPD T 3PE1,5 3X8-13 BK - T distributor



1414710

<https://www.phoenixcontact.com/us/products/1414710>

Approvals

To download certificates, visit the product detail page: <https://www.phoenixcontact.com/us/products/1414710>



IECEE CB Scheme
Approval ID: DE1-65875



EAC
Approval ID: RU C-DE.BL08.B.00511



DNV GL
Approval ID: TAE00003J5



VDE Zeichengenehmigung
Approval ID: 40029149



UL Listed
Approval ID: E468743

Nominal voltage U_N	Nominal current I_N	Cross section AWG	Cross section mm^2
600 V	8 A	-	- 16



cUL Listed
Approval ID: E468743

Nominal voltage U_N	Nominal current I_N	Cross section AWG	Cross section mm^2
600 V	8 A	- 16	-

cULus Listed

QPD T 3PE1,5 3X8-13 BK - T distributor



1414710

<https://www.phoenixcontact.com/us/products/1414710>

Classifications

ECLASS

ECLASS-11.0	27440603
ECLASS-12.0	27440603
ECLASS-13.0	27440603

ETIM

ETIM 9.0	EC002567
----------	----------

UNSPSC

UNSPSC 21.0	39121400
-------------	----------

QPD T 3PE1,5 3X8-13 BK - T distributor



1414710

<https://www.phoenixcontact.com/us/products/1414710>

Environmental product compliance

EU RoHS

Fulfills EU RoHS substance requirements	Yes, No exemptions
---	--------------------

China RoHS

Environment friendly use period (EFUP)	EFUP-E
	No hazardous substances above the limits

EU REACH SVHC

REACH candidate substance (CAS No.)	No substance above 0.1 wt%
-------------------------------------	----------------------------

QPD T 3PE1,5 3X8-13 BK - T distributor



1414710

<https://www.phoenixcontact.com/us/products/1414710>

Accessories

CP-QPD 3/4X1,5 - Coding profile

1414729

<https://www.phoenixcontact.com/us/products/1414729>

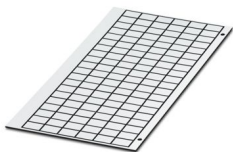


Coding profile red, for pushing into the QUICKON dome and connector, can be positioned in 90° steps.

GPE 13X 9 WH - Engraving material

0806932

<https://www.phoenixcontact.com/us/products/0806932>



Engraving material, Sheet, white, unlabeled, can be labeled with: PLOTMARK, ENGRAVING UNIT, CMS-P1-PLOTTER, P1 ENGRAVING UNIT, mounting type: adhesive, lettering field size: 13 x 9 mm, Number of individual labels: 120

QPD T 3PE1,5 3X8-13 BK - T distributor



1414710

<https://www.phoenixcontact.com/us/products/1414710>

EMLP (13X9)R - Label

0819453

<https://www.phoenixcontact.com/us/products/0819453>



Label, Roll, white, unlabeled, can be labeled with: THERMOMARK E.300 (D)/600 (D), THERMOMARK ROLL 2.0, THERMOMARK ROLL, THERMOMARK ROLL X1, THERMOMARK ROLLMASTER 300/600, THERMOMARK X1.2, mounting type: adhesive, lettering field size: 13 x 9 mm, Number of individual labels: 500

QPD QSK BK 3/4X1,5 FS - Protective cap

1414722

<https://www.phoenixcontact.com/us/products/1414722>

Protective cap, plastic, for QUICKON connection, black, with retaining cord, IP68



QPD T 3PE1,5 3X8-13 BK - T distributor

1414710

<https://www.phoenixcontact.com/us/products/1414710>

QPD QSK 3/4X1,5 - Protective cap

1414723

<https://www.phoenixcontact.com/us/products/1414723>

Protective cap plastic, for QPD-QUICKON connection 3(4) x 1.5 mm², IP50



SEALING PLUG 10X16 RD - Closing cap

1400284

<https://www.phoenixcontact.com/us/products/1400284>

Closing cap, for threads pluggable, color: red



QPD T 3PE1,5 3X8-13 BK - T distributor

1414710

<https://www.phoenixcontact.com/us/products/1414710>



QPD W 3PE1,5 8-13 M20 0,5 BK - Panel feed-through

1414678

<https://www.phoenixcontact.com/us/products/1414678>



Panel feed-through, product family: QPD, connection method: Single wires/ IDC connection, number of positions: 3+PE, M20, Pin, 0.5 mm² ... 1.5 mm², 690 V, 17.5 A, PA, black, with QUICKON nut, coding: Coding profile, external cable diameter: 10 mm ... 13 mm, 1.5 mm², cable length: 0.5 m

QPD W 3PE1,5 8-13 M20 1,0 BK - Panel feed-through

1414679

<https://www.phoenixcontact.com/us/products/1414679>



Panel feed-through, product family: QPD, connection method: Single wires/ IDC connection, number of positions: 3+PE, M20, Pin, 0.5 mm² ... 1.5 mm², 690 V, 17.5 A, PA, black, with QUICKON nut, coding: Coding profile, external cable diameter: 10 mm ... 13 mm, 1.5 mm², cable length: 1 m

QPD T 3PE1,5 3X8-13 BK - T distributor

1414710

<https://www.phoenixcontact.com/us/products/1414710>



QPD W 3PE1,5 8-13 M20 FC BK - Panel feed-through

1414680

<https://www.phoenixcontact.com/us/products/1414680>



Panel feed-through, product family: QPD, connection method: Spade connection (For slip-on sleeves according to DIN 46247-2)/ IDC connection, number of positions: 3+PE, M20, Pin, 0.5 mm² ... 1.5 mm², 690 V, 15 A, PA, black, with QUICKON nut, coding: Coding profile, external cable diameter: 10 mm ... 13 mm, 1.5 mm²

QPD C 3PE1,5 1X8-13 BK - Conductor connectors

1414697

<https://www.phoenixcontact.com/us/products/1414697>



Conductor connectors, product family: QPD, connection method: IDC connection, number of positions: 3+PE, 0.5 mm² ... 1.5 mm², 690 V, 17.5 A, PA, black, with one QUICKON nut, coding: Coding profile, external cable diameter: 10 mm ... 13 mm

QPD T 3PE1,5 3X8-13 BK - T distributor

1414710

<https://www.phoenixcontact.com/us/products/1414710>



QPD C 3PE1,5 2X8-13 BK - Conductor connectors

1414698

<https://www.phoenixcontact.com/us/products/1414698>



Conductor connectors, product family: QPD, connection method: IDC connection, number of positions: 3+PE, 0.5 mm² ... 1.5 mm², 690 V, 17.5 A, PA, black, With two QUICKON nuts, coding: Coding profile, external cable diameter: 10 mm ... 13 mm

QPD T 3PE1,5 2X8-13 BK - T distributor

1414709

<https://www.phoenixcontact.com/us/products/1414709>



T distributor, product family: QPD, connection method: IDC connection, number of positions: 3+PE, 0.5 mm² ... 1.5 mm², 690 V, 17.5 A, PA, black, With two QUICKON nuts, coding: Coding profile, external cable diameter: 10 mm ... 13 mm

QPD T 3PE1,5 3X8-13 BK - T distributor

1414710

<https://www.phoenixcontact.com/us/products/1414710>



QPD H 3PE1,5 4X8-13 BK - H distributor

1414716

<https://www.phoenixcontact.com/us/products/1414716>



H distributor, product family: QPD, connection method: IDC connection, number of positions: 3+PE, 0.5 mm² ... 1.5 mm², 690 V, 17.5 A, PA, black, with four QUICKON nuts, coding: Coding profile, external cable diameter: 10 mm ... 13 mm, with a sealing bolt

QPD N 3PE1,5 8-13 BK - Nut

1415098

<https://www.phoenixcontact.com/us/products/1415098>



Nut, product family: QPD, connection method: IDC connection, number of positions: 3+PE, 0.5 mm² ... 1.5 mm², 690 V, 17.5 A, PA, black, external cable diameter: 10 mm ... 13 mm

QPD T 3PE1,5 3X8-13 BK - T distributor

1414710

<https://www.phoenixcontact.com/us/products/1414710>



QPD P 3PE1,5 8-13 BK - Connector

1414704

<https://www.phoenixcontact.com/us/products/1414704>



Connector, product family: QPD, connection method: IDC connection, number of positions: 3+PE, 0.5 mm² ... 1.5 mm², 690 V, 17.5 A, PA, black, with QUICKON nut, coding: Coding profile, external cable diameter: 10 mm ... 13 mm

QSS 22 - Socket wrench

1670206

<https://www.phoenixcontact.com/us/products/1670206>



Allen wrench, for loosening and fastening the QUICKON union nut, WAF 22 mm

Phoenix Contact 2024 © - all rights reserved
<https://www.phoenixcontact.com>

Phoenix Contact USA
586 Fulling Mill Road
Middletown, PA 17057, United States
(+717) 944-1300
info@phoenixcon.com