

# QPD H 4PE1,5 4X5-10 BK - H distributor



1414755

<https://www.phoenixcontact.com/us/products/1414755>

Please be informed that the data shown in this PDF document is generated from our online catalog. Please find the complete data in the user documentation. Our general terms of use for downloads are valid.



H distributor, product family: QPD, connection method: IDC connection, number of positions: 4+PE, 0.5 mm<sup>2</sup> ... 1.5 mm<sup>2</sup>, 690 V, 17.5 A, PA, black, with four QUICKON nuts, coding: Coding profile, external cable diameter: 6 mm ... 10 mm, with a sealing bolt

## Your advantages

- Innovative and time saving - QUICKON fast connection for time saving of up to 80 % for on-site connection
- Robust throughout: housing with IP68/IP69K and IK07 protection for a wide range of applications
- Safer connection with mechanical coding to protect against mismatching, and touch-proof protection in accordance with DIN EN 0105
- Flexible and compact - by connecting connections internally, H and T-distributors can be used to branch master cables or they can be used as star distributors

## Commercial data

Item number	1414755
Packing unit	1 pc
Minimum order quantity	1 pc
Sales key	BF50
Product key	BF6DCA
Catalog page	Page 472 (C-2-2019)
GTIN	4055626033648
Weight per piece (including packing)	243.8 g
Weight per piece (excluding packing)	241 g
Customs tariff number	85366990
Country of origin	PL

# QPD H 4PE1,5 4X5-10 BK - H distributor



1414755

<https://www.phoenixcontact.com/us/products/1414755>

## Technical data

### Product properties

Product type	Power distributor
Product family	QPD
Type	H-distributor
Number of positions	5
Connection profile	4+PE
Position marking	1, 2, 3, N, PE
Number of connections	5
No. of cable outlets	4
Coding	Coding profile

### Insulation characteristics

Overvoltage category	III
Degree of pollution	3

### Connection data

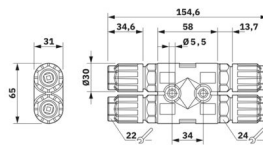
#### Connection technology

Connection method	IDC connection
Frequency of connections between conductors of the same cross section	max. 10

#### Conductor connection

Conductor cross section flexibel	0.5 mm <sup>2</sup> ... 1.5 mm <sup>2</sup>
Conductor cross section solid	0.5 mm <sup>2</sup> ... 1.5 mm <sup>2</sup>
Connection cross section AWG	20 ... 16
Tightening torque Union nut	8 Nm
Wrench size Union nut	22 mm

### Dimensions

Dimensional drawing	
Width	65 mm
Height	31 mm
Length	154.6 mm
Wrench size	22 mm
Wrench size for mounting	22 mm

### Electrical properties

# QPD H 4PE1,5 4X5-10 BK - H distributor



1414755

<https://www.phoenixcontact.com/us/products/1414755>

Rated surge voltage (II/2)	8 kV
Rated surge voltage (III/2)	8 kV
Rated surge voltage (III/3)	6 kV
Rated current	17.5 A
Contact resistance	< 3 mΩ
rated voltage (II/2)	1000 V
rated voltage (III/2)	1000 V
Rated voltage (III/3)	690 V
Nominal voltage $U_N$	690 V AC
	690 V DC
Nominal current $I_N$	17.5 A

## Mechanical properties

### Mechanical data

Insertion/withdrawal cycles	max. 50
-----------------------------	---------

## Material specifications

Color	black (RAL 9005)
Material Housing	PA
Material Contact	Cu
Material Contact surface	Silver-plated
Flammability rating according to UL 94	V0
Material wire insulation	PVC/PE/TPE/rubber

## Cable/line

Structure of individual litz in acc. with VDE 0295 / smallest wire diameter	VDE 0295 class 1 to 6/min. 0.15 mm
External cable diameter	6 mm ... 10 mm
Wire diameter including insulation	1.6 mm ... 3 mm
Position marking	1, 2, 3, N, PE
Material wire insulation	PVC/PE/TPE/rubber

## Environmental and real-life conditions

### Ambient conditions

Degree of protection	IP66
	IP68
	IP69K (Distance from the nozzle 150 mm)
Ambient temperature (operation)	-40 °C ... 100 °C
Temperature when conductor connected	-5 °C ... 50 °C
Ambient temperature (storage/transport)	-40 °C ... 100 °C

# QPD H 4PE1,5 4X5-10 BK - H distributor

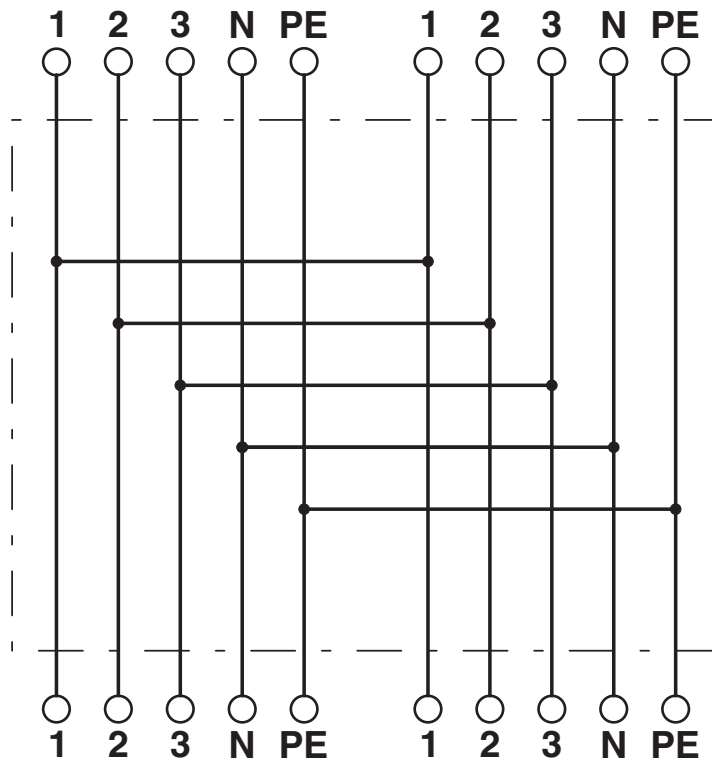


1414755

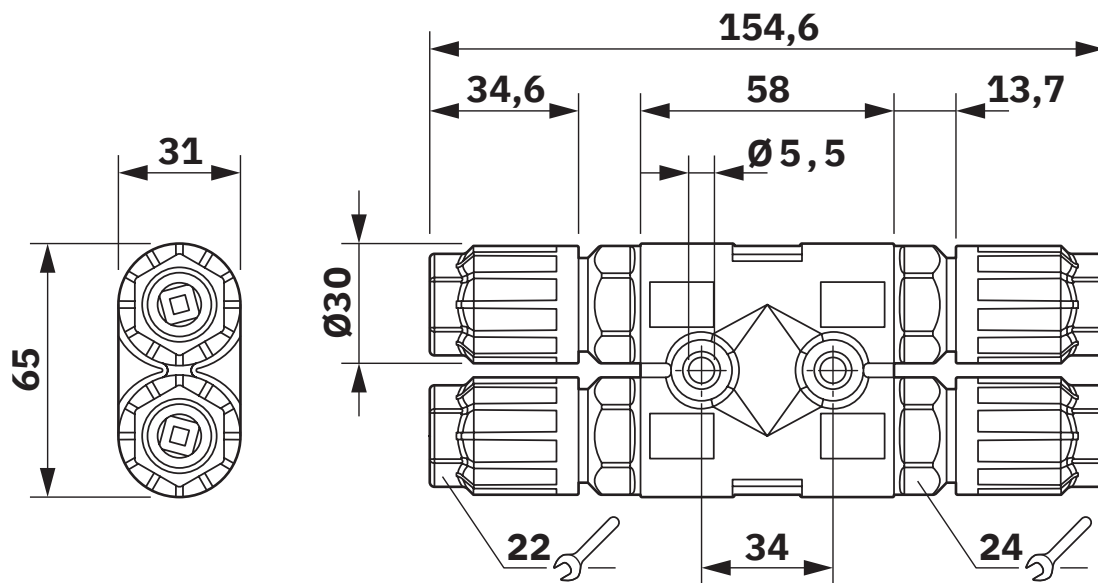
<https://www.phoenixcontact.com/us/products/1414755>

## Drawings

Circuit diagram



Dimensional drawing



Dimensional drawing

# QPD H 4PE1,5 4X5-10 BK - H distributor



1414755

<https://www.phoenixcontact.com/us/products/1414755>

## Approvals

To download certificates, visit the product detail page: <https://www.phoenixcontact.com/us/products/1414755>



**IECEE CB Scheme**  
Approval ID: DE1-65875



**EAC**  
Approval ID: RU C-DE.BL08.B.00511



**DNV GL**  
Approval ID: TAE00003J5



**VDE Zeichengenehmigung**  
Approval ID: 40029149



**UL Listed**  
Approval ID: E468743

Nominal voltage $U_N$	Nominal current $I_N$	Cross section AWG	Cross section $\text{mm}^2$
600 V	8 A	-	- 16



**cUL Listed**  
Approval ID: E468743

Nominal voltage $U_N$	Nominal current $I_N$	Cross section AWG	Cross section $\text{mm}^2$
600 V	8 A	- 16	-

**cULus Listed**

# QPD H 4PE1,5 4X5-10 BK - H distributor



1414755

<https://www.phoenixcontact.com/us/products/1414755>

## Classifications

### ECLASS

ECLASS-11.0	27440603
ECLASS-12.0	27440603
ECLASS-13.0	27440603

### ETIM

ETIM 9.0	EC002567
----------	----------

### UNSPSC

UNSPSC 21.0	39121400
-------------	----------

# QPD H 4PE1,5 4X5-10 BK - H distributor



1414755

<https://www.phoenixcontact.com/us/products/1414755>

## Environmental product compliance

### EU RoHS

Fulfills EU RoHS substance requirements	Yes, No exemptions
---	--------------------

### China RoHS

Environment friendly use period (EFUP)	EFUP-E
	No hazardous substances above the limits

### EU REACH SVHC

REACH candidate substance (CAS No.)	No substance above 0.1 wt%
-------------------------------------	----------------------------

# QPD H 4PE1,5 4X5-10 BK - H distributor



1414755

<https://www.phoenixcontact.com/us/products/1414755>

## Accessories

### CP-QPD 5X1,5 - Coding profile

1414760

<https://www.phoenixcontact.com/us/products/1414760>



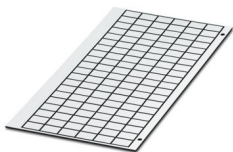
Coding profile red, for pushing into the QUICKON dome and connector, can be positioned in 90° steps.

---

### GPE 13X 9 WH - Engraving material

0806932

<https://www.phoenixcontact.com/us/products/0806932>



Engraving material, Sheet, white, unlabeled, can be labeled with: PLOTMARK, ENGRAVING UNIT, CMS-P1-PLOTTER, P1 ENGRAVING UNIT, mounting type: adhesive, lettering field size: 13 x 9 mm, Number of individual labels: 120



## QPD H 4PE1,5 4X5-10 BK - H distributor



1414755

<https://www.phoenixcontact.com/us/products/1414755>

### EMLP (13X9)R - Label

0819453

<https://www.phoenixcontact.com/us/products/0819453>



Label, Roll, white, unlabeled, can be labeled with: THERMOMARK E.300 (D)/600 (D), THERMOMARK ROLL 2.0, THERMOMARK ROLL, THERMOMARK ROLL X1, THERMOMARK ROLLMASTER 300/600, THERMOMARK X1.2, mounting type: adhesive, lettering field size: 13 x 9 mm, Number of individual labels: 500

---

### QPD QSK BK 5X1,5 FS - Protective cap

1414728

<https://www.phoenixcontact.com/us/products/1414728>

Protective cap, plastic, for QUICKON connection, black, with retaining cord, IP68



# QPD H 4PE1,5 4X5-10 BK - H distributor



1414755

<https://www.phoenixcontact.com/us/products/1414755>

## QPD QSK 5X1,5 - Protective cap

1414758

<https://www.phoenixcontact.com/us/products/1414758>

Protective cap plastic, for QPD-QUICKON connection 5x 1.5 mm<sup>2</sup>, IP50



---

## SEALING PLUG 7X16 RD - Closing cap

1400255

<https://www.phoenixcontact.com/us/products/1400255>

Closing cap, color: red



## QPD H 4PE1,5 4X5-10 BK - H distributor

1414755

<https://www.phoenixcontact.com/us/products/1414755>



## QPD W 4PE1,5 5-10 M25 0,5 BK - Panel feed-through

1414730

<https://www.phoenixcontact.com/us/products/1414730>



Panel feed-through, product family: QPD, connection method: Single wires/ IDC connection, number of positions: 4+PE, M25, Pin, 0.5 mm<sup>2</sup> ... 1.5 mm<sup>2</sup>, 690 V, 17.5 A, PA, black, with QUICKON nut, coding: Coding profile, external cable diameter: 6 mm ... 10 mm, 1.5 mm<sup>2</sup>, cable length: 0.5 m

---

## QPD W 4PE1,5 5-10 M25 1,0 BK - Panel feed-through

1414731

<https://www.phoenixcontact.com/us/products/1414731>



Panel feed-through, product family: QPD, connection method: Single wires/ IDC connection, number of positions: 4+PE, M25, Pin, 0.5 mm<sup>2</sup> ... 1.5 mm<sup>2</sup>, 690 V, 17.5 A, PA, black, with QUICKON nut, coding: Coding profile, external cable diameter: 6 mm ... 10 mm, 1.5 mm<sup>2</sup>, cable length: 1 m

## QPD H 4PE1,5 4X5-10 BK - H distributor

1414755

<https://www.phoenixcontact.com/us/products/1414755>



## QPD W 4PE1,5 5-10 M25 FC BK - Panel feed-through

1414732

<https://www.phoenixcontact.com/us/products/1414732>



Panel feed-through, product family: QPD, connection method: Spade connection (For slip-on sleeves according to DIN 46247-2)/ IDC connection, number of positions: 4+PE, M25, Pin, 0.5 mm<sup>2</sup> ... 1.5 mm<sup>2</sup>, 690 V, 17.5 A, PA, black, with QUICKON nut, coding: Coding profile, external cable diameter: 6 mm ... 10 mm, 1.5 mm<sup>2</sup>

---

## QPD C 4PE1,5 1X5-10 BK - Conductor connectors

1414739

<https://www.phoenixcontact.com/us/products/1414739>



Conductor connectors, product family: QPD, connection method: IDC connection, number of positions: 4+PE, 0.5 mm<sup>2</sup> ... 1.5 mm<sup>2</sup>, 690 V, 17.5 A, PA, black, with one QUICKON nut, coding: Coding profile, external cable diameter: 6 mm ... 10 mm

## QPD H 4PE1,5 4X5-10 BK - H distributor

1414755

<https://www.phoenixcontact.com/us/products/1414755>



## QPD C 4PE1,5 2X5-10 BK - Conductor connectors

1414740

<https://www.phoenixcontact.com/us/products/1414740>



Conductor connectors, product family: QPD, connection method: IDC connection, number of positions: 4+PE, 0.5 mm<sup>2</sup> ... 1.5 mm<sup>2</sup>, 690 V, 17.5 A, PA, black, With two QUICKON nuts, coding: Coding profile, external cable diameter: 6 mm ... 10 mm

---

## QPD T 4PE1,5 2X5-10 BK - T distributor

1414751

<https://www.phoenixcontact.com/us/products/1414751>



T distributor, product family: QPD, connection method: IDC connection, number of positions: 4+PE, 0.5 mm<sup>2</sup> ... 1.5 mm<sup>2</sup>, 690 V, 17.5 A, PA, black, With two QUICKON nuts, coding: Coding profile, external cable diameter: 6 mm ... 10 mm

## QPD H 4PE1,5 4X5-10 BK - H distributor

1414755

<https://www.phoenixcontact.com/us/products/1414755>



## QPD T 4PE1,5 3X5-10 BK - T distributor

1414753

<https://www.phoenixcontact.com/us/products/1414753>



T distributor, product family: QPD, connection method: IDC connection, number of positions: 4+PE, 0.5 mm<sup>2</sup> ... 1.5 mm<sup>2</sup>, 690 V, 17.5 A, PA, black, With three QUICKON nuts, coding: Coding profile, external cable diameter: 6 mm ... 10 mm

---

## QPD N 4PE1,5 5-10 BK - Nut

1415101

<https://www.phoenixcontact.com/us/products/1415101>



Nut, product family: QPD, connection method: IDC connection, number of positions: 4+PE, 0.5 mm<sup>2</sup> ... 1.5 mm<sup>2</sup>, 690 V, 17.5 A, PA, black, external cable diameter: 6 mm ... 10 mm

## QPD H 4PE1,5 4X5-10 BK - H distributor

1414755

<https://www.phoenixcontact.com/us/products/1414755>



## QPD P 4PE1,5 5-10 BK - Connector

1414749

<https://www.phoenixcontact.com/us/products/1414749>



Connector, product family: QPD, connection method: IDC connection, number of positions: 4+PE, 0.5 mm<sup>2</sup> ... 1.5 mm<sup>2</sup>, 690 V, 17.5 A, PA, black, with QUICKON nut, coding: Coding profile, external cable diameter: 6 mm ... 10 mm

---

## QSS 22 - Socket wrench

1670206

<https://www.phoenixcontact.com/us/products/1670206>



Allen wrench, for loosening and fastening the QUICKON union nut, WAF 22 mm

---

Phoenix Contact 2024 © - all rights reserved  
<https://www.phoenixcontact.com>

Phoenix Contact USA  
586 Fulling Mill Road  
Middletown, PA 17057, United States  
(+717) 944-1300  
[info@phoenixcon.com](mailto:info@phoenixcon.com)