

SAC-3P- 2,0-U20/MINFS - Power cable



1416776

<https://www.phoenixcontact.com/us/products/1416776>

Please be informed that the data shown in this PDF document is generated from our online catalog. Please find the complete data in the user documentation. Our general terms of use for downloads are valid.



Power cable, 3-position, free cable end, on Socket straight 7/8"-16UNF, coding: A, cable length: 2 m

Your advantages

- Easy and safe: 100 % electrically tested plug-in components

Commercial data

Item number	1416776
Packing unit	1 pc
Note	Made to order (non-returnable)
Sales key	BF14
Product key	BF1IMB
GTIN	4055626223452
Weight per piece (including packing)	22.22 g
Weight per piece (excluding packing)	22.22 g
Customs tariff number	85444290
Country of origin	MX

SAC-3P- 2,0-U20/MINFS - Power cable



1416776

<https://www.phoenixcontact.com/us/products/1416776>

Technical data

Notes

Trade restriction

CE note	The products are offered exclusively for export outside the EU and the European Economic Area.
---------	--

Product properties

Product type	Sensor/actuator cable
Number of positions	3
Application	Standard
No. of cable outlets	1
Shielded	no
Coding	A

Material specifications

Flammability rating according to UL 94	V0
Material of grip body	PVC
Contact material	CuZn
Contact surface material	Au
Contact carrier material	PVC
Material for screw connection	Anodized aluminum

Electrical properties

Contact resistance	$\leq 5 \text{ m}\Omega$
Insulation resistance	$\geq 100 \text{ M}\Omega$
Nominal voltage U_N	600 V AC
	600 V DC
Nominal current I_N	13 A
Protective circuit	unwired

Mechanical properties

Mechanical data

Insertion/withdrawal cycles	100
-----------------------------	-----

Signaling

Status display	No
Status display present	No

Connection data

Conductor connection

Tightening torque	10 lb _f -in.
	1.12 Nm

SAC-3P- 2,0-U20/MINFS - Power cable



1416776

<https://www.phoenixcontact.com/us/products/1416776>

Connector

Connection 1

Type	free cable end
------	----------------

Connection 2

Type	Socket straight 7/8"-16UNF
Number of positions	3
Coding type	A

Cable/line

Cable length	2 m
--------------	-----

Yellow, STOOW [U20]

Number of positions	3
Shielded	no
Cable type	Yellow, STOOW [U20]
Conductor cross section	3 x AWG 16
External cable diameter	10.4 mm
Outer sheath, material	PVC
External sheath, color	yellow
Conductor material	Bare Cu litz wires
Single wire, color	green 1, black 2, white 3
Nominal voltage, cable	600 V
Minimum bending radius, fixed installation	4 x D
Minimum bending radius, flexible installation	12.5 x D
Smallest bending radius, fixed installation	42 mm
Smallest bending radius, movable installation	130 mm
Flame resistance	UL 1581, FT2
Resistance to oil	Premium oil resistance (jacket and conductor)
Other resistance	UV resistant (720 h) (UL 2556)
Ambient temperature (operation)	-40 °C ... 105 °C (cable, fixed installation) -30 °C ... 105 °C (Cable, flexible installation)

Environmental and real-life conditions

Ambient conditions

Degree of protection	IP68
Ambient temperature (operation)	-20 °C ... 105 °C (Plug / socket) -40 °C ... 105 °C (cable, fixed installation) -30 °C ... 105 °C (Cable, flexible installation)

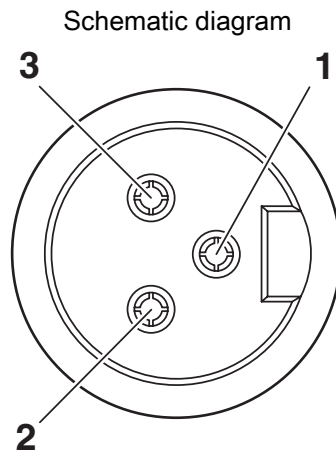
SAC-3P- 2,0-U20/MINFS - Power cable



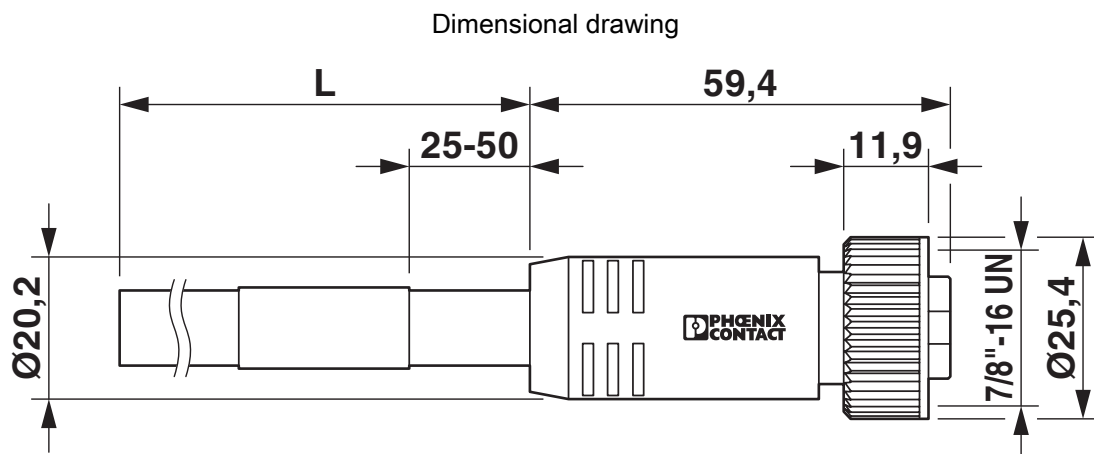
1416776

<https://www.phoenixcontact.com/us/products/1416776>

Drawings

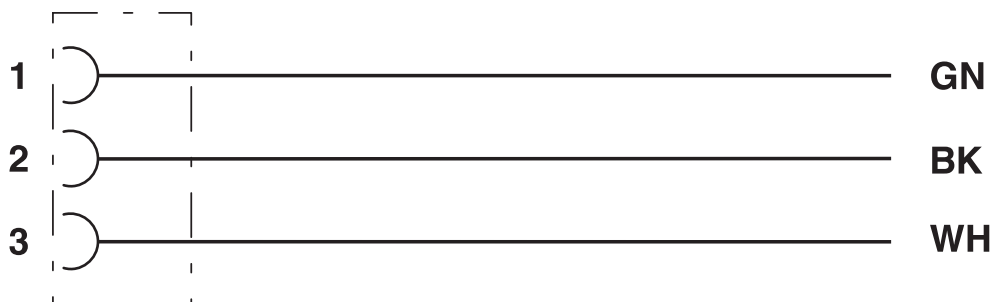


Pin assignment, socket, 7/8"-16UNF, 3-pos., view of female side



7/8"-16UNF socket, straight

Circuit diagram



SAC-3P- 2,0-U20/MINFS - Power cable



1416776

<https://www.phoenixcontact.com/us/products/1416776>

Approvals

To download certificates, visit the product detail page: <https://www.phoenixcontact.com/us/products/1416776>



UL Listed

Approval ID: FILE E 221474



cUL Listed

Approval ID: FILE E 221474

cULus Listed

SAC-3P- 2,0-U20/MINFS - Power cable



1416776

<https://www.phoenixcontact.com/us/products/1416776>

Classifications

ECLASS

ECLASS-11.0	27060311
ECLASS-12.0	27060311
ECLASS-13.0	27060311

UNSPSC

UNSPSC 21.0	31251501
-------------	----------

SAC-3P- 2,0-U20/MINFS - Power cable



1416776

<https://www.phoenixcontact.com/us/products/1416776>

Environmental product compliance

China RoHS	Environmentally Friendly Use Period = 50 years For information on hazardous substances, refer to the manufacturer's declaration available under "Downloads"
------------	--

Phoenix Contact 2024 © - all rights reserved
<https://www.phoenixcontact.com>

Phoenix Contact USA
586 Fulling Mill Road
Middletown, PA 17057, United States
(+717) 944-1300
info@phoenixcon.com