

# QPD H3PE2,5 4X6-10 BK - H distributor



1423971

<https://www.phoenixcontact.com/us/products/1423971>

Please be informed that the data shown in this PDF document is generated from our online catalog. Please find the complete data in the user documentation. Our general terms of use for downloads are valid.



H distributor, product family: QPD, connection method: IDC connection, number of positions: 3+PE, 1 mm<sup>2</sup> ... 2.5 mm<sup>2</sup>, 690 V, 20 A, PA, black, with four QUICKON nuts, coding: Coding profile, external cable diameter: 6 mm ... 10 mm

## Your advantages

- Innovative and time saving - QUICKON fast connection for time saving of up to 80 % for on-site connection
- Robust throughout: housing with IP68/IP69K and IK07 protection for a wide range of applications
- Safer connection with mechanical coding to protect against mismatching, and touch-proof protection in accordance with DIN EN 0105
- Flexible and compact - by connecting connections internally, H and T-distributors can be used to branch master cables or they can be used as star distributors

## Commercial data

Item number	1423971
Packing unit	1 pc
Minimum order quantity	1 pc
Sales key	BF50
Product key	BF6DBB
Catalog page	Page 481 (C-2-2019)
GTIN	4055626365893
Weight per piece (including packing)	250.6 g
Weight per piece (excluding packing)	22.22 g
Customs tariff number	85444290
Country of origin	PL

# QPD H3PE2,5 4X6-10 BK - H distributor



1423971

<https://www.phoenixcontact.com/us/products/1423971>

## Technical data

### Product properties

Product type	Power distributor
Product family	QPD
Type	H-distributor
Number of positions	4
Connection profile	3+PE
Position marking	1, 2, 3, PE
Number of connections	4
Number of connections per position	1
No. of cable outlets	4
Coding	Coding profile

### Insulation characteristics

Overvoltage category	III
Degree of pollution	3

### Connection data

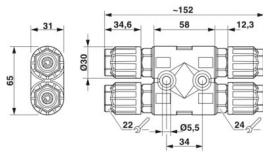
#### Connection technology

Connection method	IDC connection
Frequency of connections between conductors of the same cross section	max. 10

#### Conductor connection

Conductor cross section flexibel	1 mm <sup>2</sup> ... 2.5 mm <sup>2</sup>
Conductor cross section solid	1 mm <sup>2</sup> ... 2.5 mm <sup>2</sup>
Connection cross section AWG	16 ... 14
Tightening torque Union nut	7 Nm
Wrench size Union nut	22 mm

### Dimensions

Dimensional drawing	
Width	65 mm
Height	31 mm
Length	152 mm

### Electrical properties

Rated surge voltage (II/2)	6 kV
----------------------------	------

# QPD H3PE2,5 4X6-10 BK - H distributor



1423971

<https://www.phoenixcontact.com/us/products/1423971>

Rated surge voltage (III/2)	6 kV
Rated surge voltage (III/3)	6 kV
Rated current	20 A
Contact resistance	< 3 mΩ
rated voltage (II/2)	1000 V
rated voltage (III/2)	690 V
Rated voltage (III/3)	690 V
Nominal voltage U <sub>N</sub>	690 V AC 690 V DC
Nominal current I <sub>N</sub>	20 A

## Mechanical properties

### Mechanical data

Insertion/withdrawal cycles	max. 50
-----------------------------	---------

## Material specifications

Color	black (RAL 9005)
Material Housing	PA
Material Contact	Cu
Material Contact surface	Silver-plated
Flammability rating according to UL 94	V0
Material wire insulation	PVC/PE/TPE/rubber

## Cable/line

Structure of individual litz in acc. with VDE 0295 / smallest wire diameter	VDE 0295 class 1 to 6/min. 0.15 mm
External cable diameter	6 mm ... 10 mm
Wire diameter including insulation	2 mm ... 3.6 mm
Position marking	1, 2, 3, PE
Material wire insulation	PVC/PE/TPE/rubber
Halogen-free	yes

## Environmental and real-life conditions

### Ambient conditions

Degree of protection	IP66 IP68 (2 m / 24 h) IP69K (Distance from the nozzle 150 mm)
Ambient temperature (operation)	-40 °C ... 100 °C
Temperature when conductor connected	-5 °C ... 50 °C
Ambient temperature (storage/transport)	-40 °C ... 100 °C

# QPD H3PE2,5 4X6-10 BK - H distributor

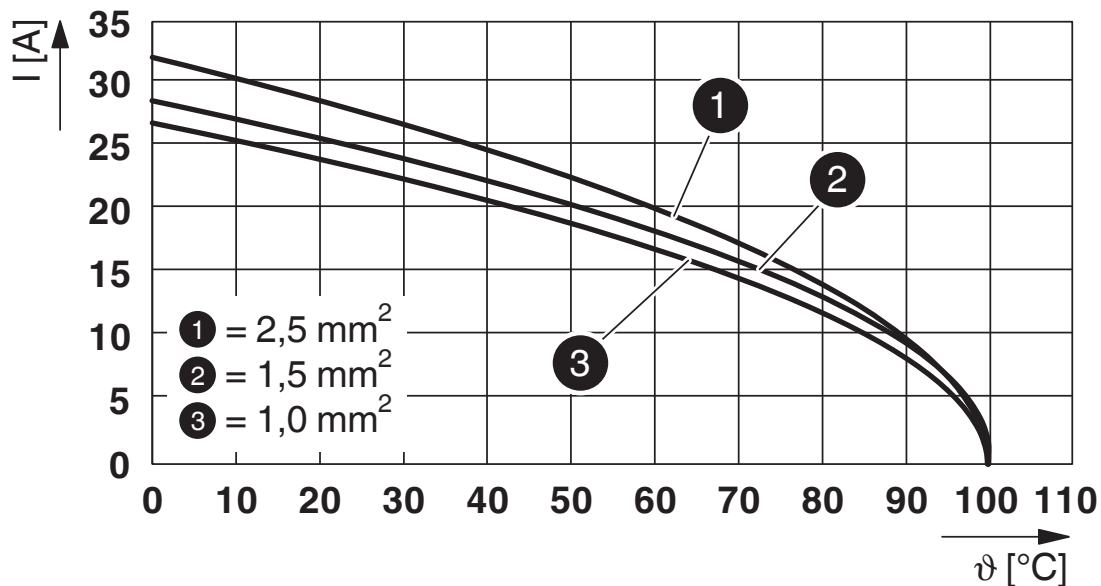


1423971

<https://www.phoenixcontact.com/us/products/1423971>

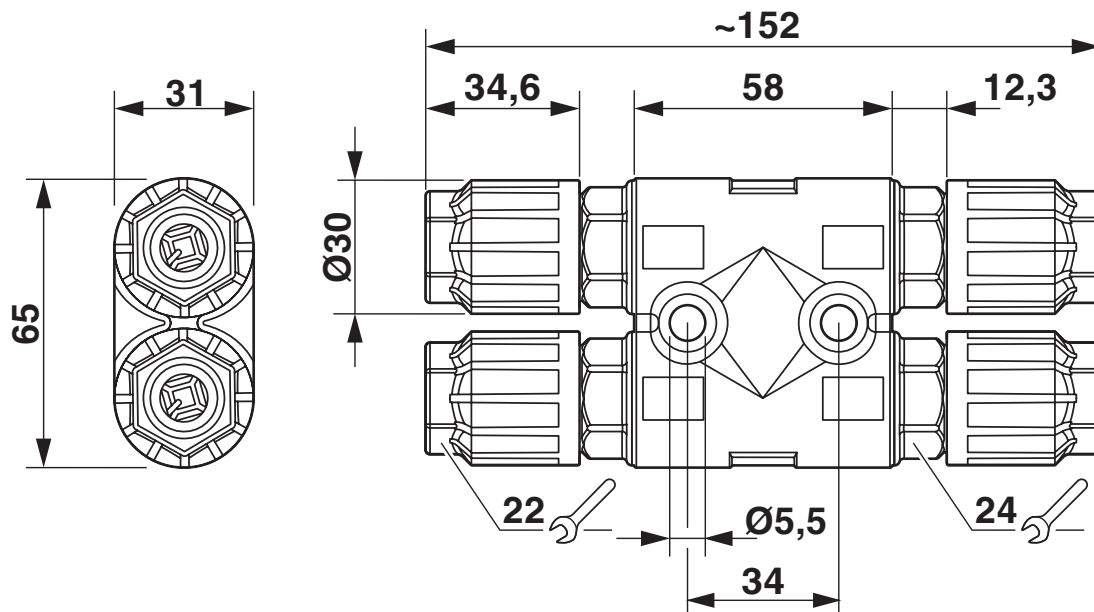
## Drawings

Diagram



Derating diagram

Dimensional drawing



Dimensional drawing

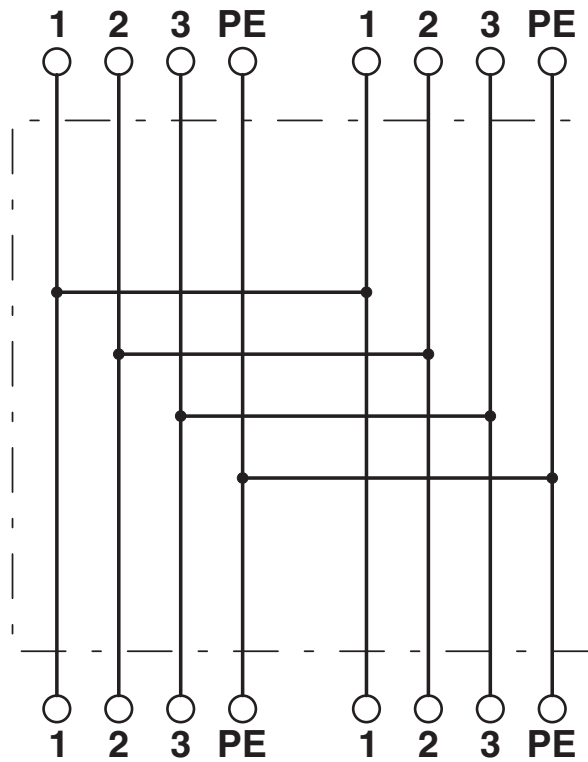
# QPD H3PE2,5 4X6-10 BK - H distributor

1423971

<https://www.phoenixcontact.com/us/products/1423971>



Circuit diagram



# QPD H3PE2,5 4X6-10 BK - H distributor



1423971

<https://www.phoenixcontact.com/us/products/1423971>

## Approvals

To download certificates, visit the product detail page: <https://www.phoenixcontact.com/us/products/1423971>



### IECEE CB Scheme

Approval ID: DE1-65875



### EAC

Approval ID: RU C-DE.BL08.B.00511



### UL Listed

Approval ID: E468743

	Nominal voltage $U_N$	Nominal current $I_N$	Cross section AWG	Cross section $\text{mm}^2$
	600 V	10 A	-	- 16



### cUL Listed

Approval ID: E468743

	Nominal voltage $U_N$	Nominal current $I_N$	Cross section AWG	Cross section $\text{mm}^2$
	600 V	10 A	- 16	-



### VDE Zeichengenehmigung

Approval ID: 40029149

	Nominal voltage $U_N$	Nominal current $I_N$	Cross section AWG	Cross section $\text{mm}^2$
Only flexible conductors	400 V	20 A	-	1.5 - 2.5
Only rigid conductors	690 V	20 A	-	1.5 - 2.5

### cULus Listed

# QPD H3PE2,5 4X6-10 BK - H distributor



1423971

<https://www.phoenixcontact.com/us/products/1423971>

## Classifications

### ECLASS

ECLASS-11.0	27440603
ECLASS-13.0	27440603
ECLASS-12.0	27440603

### ETIM

ETIM 9.0	EC002567
----------	----------

### UNSPSC

UNSPSC 21.0	39121400
-------------	----------

# QPD H3PE2,5 4X6-10 BK - H distributor



1423971

<https://www.phoenixcontact.com/us/products/1423971>

## Environmental product compliance

### EU RoHS

Fulfills EU RoHS substance requirements	Yes, No exemptions
---	--------------------

### China RoHS

Environment friendly use period (EFUP)	EFUP-E
	No hazardous substances above the limits

### EU REACH SVHC

REACH candidate substance (CAS No.)	No substance above 0.1 wt%
-------------------------------------	----------------------------



# QPD H3PE2,5 4X6-10 BK - H distributor



1423971

<https://www.phoenixcontact.com/us/products/1423971>

## Accessories

### CP QPD 4X2,5 - Coding profile

1425950

<https://www.phoenixcontact.com/us/products/1425950>



Coding profile red, for pushing into the QUICKON dome and connector, can be positioned in 90° steps.

---

### QPD QSK 5X1,5 - Protective cap

1414758

<https://www.phoenixcontact.com/us/products/1414758>



Protective cap plastic, for QPD-QUICKON connection 5x 1.5 mm<sup>2</sup>, IP50

## QPD H3PE2,5 4X6-10 BK - H distributor

1423971

<https://www.phoenixcontact.com/us/products/1423971>



## QPD QSK BK 5X1,5 FS - Protective cap

1414728

<https://www.phoenixcontact.com/us/products/1414728>

Protective cap, plastic, for QUICKON connection, black, with retaining cord, IP68



---

## SEALING PLUG 10X16 RD - Closing cap

1400284

<https://www.phoenixcontact.com/us/products/1400284>

Closing cap, for threads pluggable, color: red



## QPD H3PE2,5 4X6-10 BK - H distributor

1423971

<https://www.phoenixcontact.com/us/products/1423971>



### QPD W3PE2,5 6-10 M25 0,5 BK - Panel feed-through

1423975

<https://www.phoenixcontact.com/us/products/1423975>



Panel feed-through, product family: QPD, connection method: Single wires (Welded-on)/ IDC connection, number of positions: 3+PE, M25, Pin, 1 mm<sup>2</sup> ... 2.5 mm<sup>2</sup>, 690 V, 20 A, PA, black, with QUICKON nut, coding: coded, external cable diameter: 6 mm ... 10 mm, 2.5 mm<sup>2</sup>, wires cut flat at the end, cable length: 0.5 m

---

### QPD W3PE2,5 6-10 M25 1,0 BK - Panel feed-through

1423974

<https://www.phoenixcontact.com/us/products/1423974>



Panel feed-through, product family: QPD, connection method: Single wires (Welded-on)/ IDC connection, number of positions: 3+PE, M25, Pin, 1 mm<sup>2</sup> ... 2.5 mm<sup>2</sup>, 690 V, 20 A, PA, black, with QUICKON nut, coding: coded, external cable diameter: 6 mm ... 10 mm, 2.5 mm<sup>2</sup>, wires cut flat at the end, cable length: 1 m

## QPD H3PE2,5 4X6-10 BK - H distributor

1423971

<https://www.phoenixcontact.com/us/products/1423971>



## QPD W3PE2,5 6-10 M25 FC BK - Panel feed-through

1423976

<https://www.phoenixcontact.com/us/products/1423976>



Panel feed-through, product family: QPD, connection method: Spade connection/ IDC connection, number of positions: 3+PE, M25, Pin, 1 mm<sup>2</sup> ... 2.5 mm<sup>2</sup>, 690 V, 20 A, PA, black, with QUICKON nut, coding: coded, external cable diameter: 6 mm ... 10 mm, 2.5 mm<sup>2</sup>

---

## QPD W3PE2,5 6-10 M25 DT BK - Panel feed-through

1423977

<https://www.phoenixcontact.com/us/products/1423977>



Panel feed-through, product family: QPD, connection method: Push-in connection/ IDC connection, number of positions: 3+PE, M25, Pin, 1 mm<sup>2</sup> ... 2.5 mm<sup>2</sup>, 400 V, 20 A, PA, black, with QUICKON nut, coding: coded, external cable diameter: 6 mm ... 10 mm, 2.5 mm<sup>2</sup>

# QPD H3PE2,5 4X6-10 BK - H distributor

1423971

<https://www.phoenixcontact.com/us/products/1423971>

## QPD C3PE2,5 1X6-10 BK - Conductor connectors

1423991

<https://www.phoenixcontact.com/us/products/1423991>



Conductor connectors, product family: QPD, connection method: IDC connection, number of positions: 3+PE, 1 mm<sup>2</sup> ... 2.5 mm<sup>2</sup>, 690 V, 20 A, PA, black, with one QUICKON nut, coding: Coding profile, external cable diameter: 6 mm ... 10 mm

---

## QPD C3PE2,5 2X6-10 BK - Conductor connectors

1423989

<https://www.phoenixcontact.com/us/products/1423989>



Conductor connectors, product family: QPD, connection method: IDC connection, number of positions: 3+PE, 1 mm<sup>2</sup> ... 2.5 mm<sup>2</sup>, 690 V, 20 A, PA, black, With two QUICKON nuts, coding: Coding profile, external cable diameter: 6 mm ... 10 mm

# QPD H3PE2,5 4X6-10 BK - H distributor

1423971

<https://www.phoenixcontact.com/us/products/1423971>



## QPD T3PE2,5 2X6-10 BK - T distributor

1424047

<https://www.phoenixcontact.com/us/products/1424047>



T distributor, product family: QPD, connection method: IDC connection, number of positions: 3+PE, 1 mm<sup>2</sup> ... 2.5 mm<sup>2</sup>, 690 V, 20 A, PA, black, With two QUICKON nuts, coding: Coding profile, external cable diameter: 6 mm ... 10 mm

---

## QPD T3PE2,5 3X6-10 BK - T distributor

1424045

<https://www.phoenixcontact.com/us/products/1424045>



T distributor, product family: QPD, connection method: IDC connection, number of positions: 3+PE, 1 mm<sup>2</sup> ... 2.5 mm<sup>2</sup>, 690 V, 20 A, PA, black, With three QUICKON nuts, coding: Coding profile, external cable diameter: 6 mm ... 10 mm

## QPD H3PE2,5 4X6-10 BK - H distributor

1423971

<https://www.phoenixcontact.com/us/products/1423971>



## QPD N2,5 6-10 BK - Nut

1423993

<https://www.phoenixcontact.com/us/products/1423993>



Nut, product family: QPD, connection method: IDC connection, 1 mm<sup>2</sup> ... 2.5 mm<sup>2</sup>, 690 V, 20 A, PA, black, external cable diameter: 6 mm ... 10 mm

---

## QPD P3PE2,5 6-10 BK - Connector

1423987

<https://www.phoenixcontact.com/us/products/1423987>



Connector, product family: QPD, connection method: IDC connection, number of positions: 3+PE, 1 mm<sup>2</sup> ... 2.5 mm<sup>2</sup>, 690 V, 20 A, PA, black, with QUICKON nut, coding: Coding profile, external cable diameter: 6 mm ... 10 mm

# QPD H3PE2,5 4X6-10 BK - H distributor



1423971

<https://www.phoenixcontact.com/us/products/1423971>

## QSS 22 - Socket wrench

1670206

<https://www.phoenixcontact.com/us/products/1670206>



Allen wrench, for loosening and fastening the QUICKON union nut, WAF 22 mm

---

Phoenix Contact 2024 © - all rights reserved

<https://www.phoenixcontact.com>

Phoenix Contact USA  
586 Fulling Mill Road  
Middletown, PA 17057, United States  
(+717) 944-1300  
[info@phoenixcon.com](mailto:info@phoenixcon.com)