

# SAC-5P- 3,0-430/MINFR PWR - Power cable



1443365

<https://www.phoenixcontact.com/us/products/1443365>

Please be informed that the data shown in this PDF document is generated from our online catalog. Please find the complete data in the user documentation. Our general terms of use for downloads are valid.



Power cable, 5-position, PVC, gray RAL 7001, free cable end, on Socket angled 7/8"-16UNF, coding: A, cable length: 3 m, 1.5 mm<sup>2</sup> conductor cross section, For power supply

## Your advantages

- Easy and safe: 100 % electrically tested plug-in components
- High-performance: connectors and cables with a large conductor cross section for power supply

## Commercial data

Item number	1443365
Packing unit	1 pc
Note	Made to order (non-returnable)
Sales key	B22
Product key	BF1FDA
Catalog page	Page 278 (C-4-2015)
GTIN	4046356536929
Weight per piece (including packing)	564.2 g
Weight per piece (excluding packing)	564.2 g
Customs tariff number	85444290
Country of origin	DE

# SAC-5P- 3,0-430/MINFR PWR - Power cable



1443365

<https://www.phoenixcontact.com/us/products/1443365>

## Technical data

### Product properties

Product type	Sensor/actuator cable
Application	Power supply
Number of positions	5
No. of cable outlets	1
Shielded	no
Coding	A

### Insulation characteristics

Overvoltage category	II
Degree of pollution	3

### Material specifications

Flammability rating according to UL 94	HB
Material of grip body	TPU
Contact material	CuZn
Contact surface material	Au
Contact carrier material	PA 6.6
Material for screw connection	Zinc die-cast, nickel-plated

### Electrical properties

Rated surge voltage	4000 V
Insulation resistance	$\geq 10 \text{ M}\Omega$
Nominal voltage $U_N$	63 V DC
Nominal current $I_N$	10 A

### Mechanical properties

#### Mechanical data

Insertion/withdrawal cycles	100
-----------------------------	-----

### Signaling

Status display	No
Status display present	No

### Connector

#### Connection 1

Type	free cable end
------	----------------

#### Connection 2

Type	Socket angled 7/8"-16UNF
Number of positions	5
Coding type	A

# SAC-5P- 3,0-430/MINFR PWR - Power cable



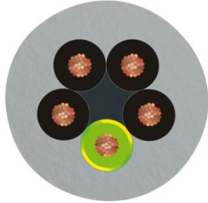
1443365

<https://www.phoenixcontact.com/us/products/1443365>

## Cable/line

Cable length	3 m
--------------	-----

### PVC gray [430]

Dimensional drawing	
Cable weight	168 kg/km
UL AWM Style	21098 (90 °C / 600 V)
Number of positions	5
Shielded	no
Cable type	PVC gray [430]
AWG signal line	16
Conductor cross section	5x 1.5 mm <sup>2</sup>
External cable diameter	10.00 mm
Outer sheath, material	PVC
External sheath, color	gray RAL 7001
Conductor material	Bare Cu litz wires
Material wire insulation	PVC
Single wire, color	black 1, black 2, black 3, black 4, green/yellow
Overall twist	5 cores, twisted
Nominal voltage, cable	600 V
Test voltage	3000 V
Minimum bending radius, fixed installation	4 x D
Minimum bending radius, flexible installation	12.5 x D
Smallest bending radius, fixed installation	40 mm
Smallest bending radius, movable installation	125 mm
Flame resistance	UL 1581, Sec. 1061 (Cable Flame) IEC 60332-1-2
Resistance to oil	good oil-resistance
Ambient temperature (operation)	-40 °C ... 90 °C (cable, fixed installation) -5 °C ... 90 °C (Cable, flexible installation)

## Environmental and real-life conditions

### Ambient conditions

Degree of protection	IP65
	IP67
	IP68

# SAC-5P- 3,0-430/MINFR PWR - Power cable



1443365

<https://www.phoenixcontact.com/us/products/1443365>

Ambient temperature (operation)	-40 °C ... 90 °C (Socket)
	-40 °C ... 90 °C (cable, fixed installation)
	-5 °C ... 90 °C (Cable, flexible installation)

# SAC-5P- 3,0-430/MINFR PWR - Power cable

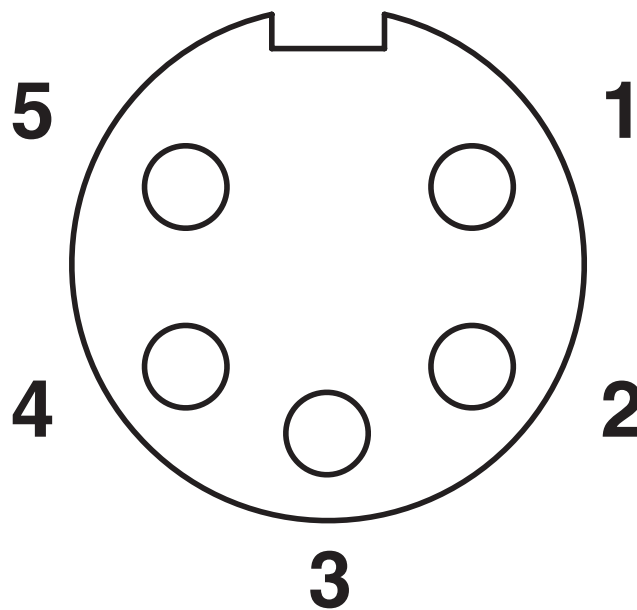


1443365

<https://www.phoenixcontact.com/us/products/1443365>

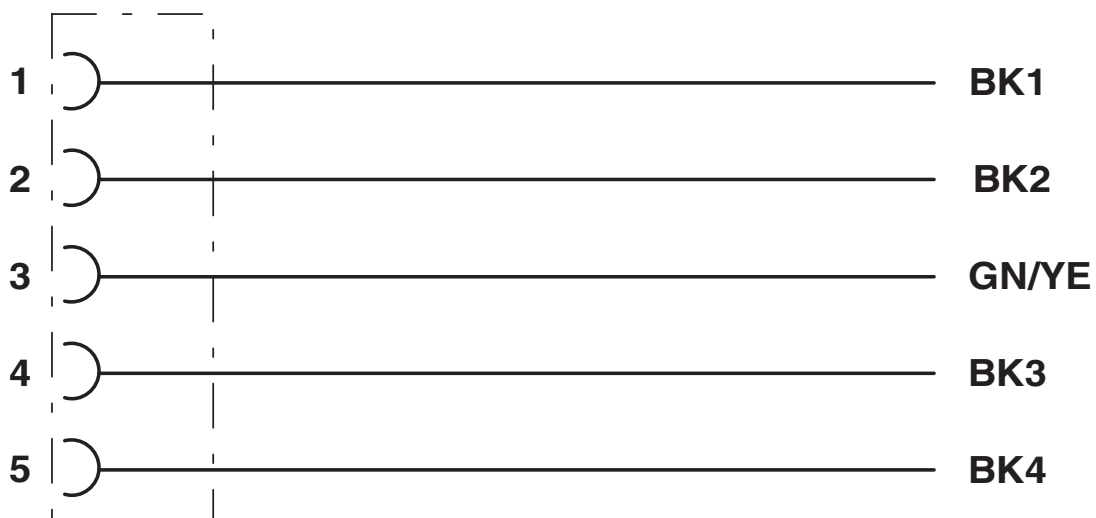
## Drawings

Schematic diagram



Pin assignment, socket, 7/8"-16UNF, 5-pos., view of female side

Circuit diagram



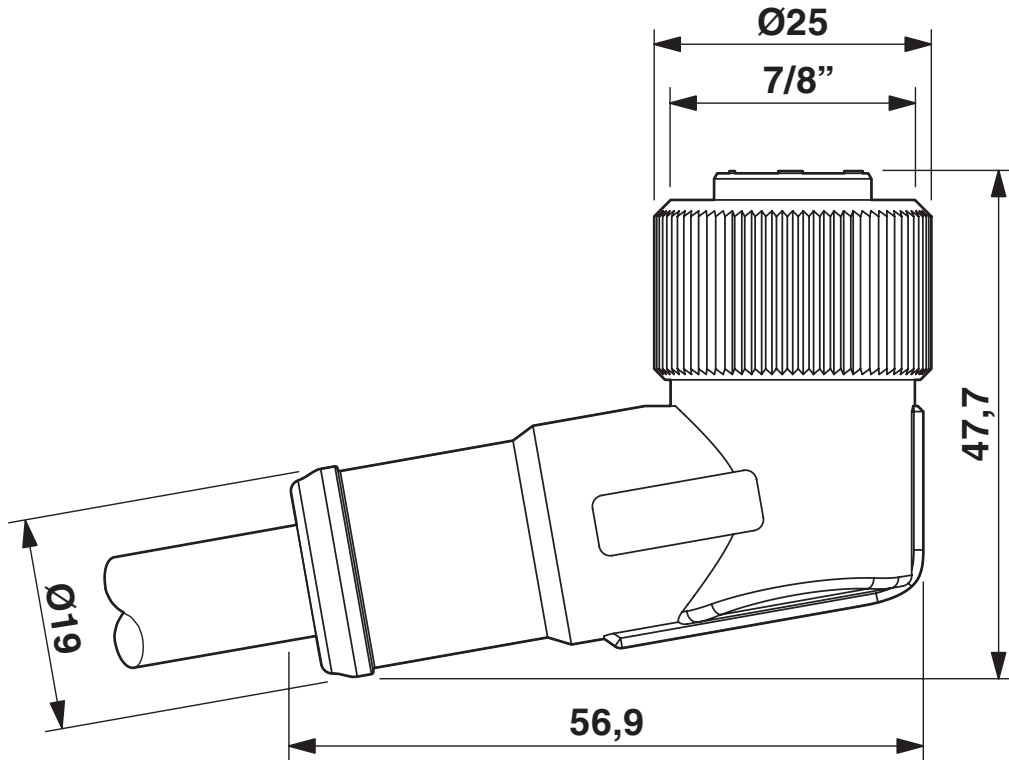
# SAC-5P- 3,0-430/MINFR PWR - Power cable



1443365

<https://www.phoenixcontact.com/us/products/1443365>

Dimensional drawing



7/8"-16UNF socket, angled

# SAC-5P- 3,0-430/MINFR PWR - Power cable



1443365

<https://www.phoenixcontact.com/us/products/1443365>

## Classifications

### ECLASS

ECLASS-11.0	27060311
ECLASS-13.0	27060311

# SAC-5P- 3,0-430/MINFR PWR - Power cable



1443365

<https://www.phoenixcontact.com/us/products/1443365>

## Accessories

### WP-CTA POM 13,0 BK - Protective hose adapter

1422884

<https://www.phoenixcontact.com/us/products/1422884>



Protective hose adapter, for corrugated hoses with a nominal size of 13 (10 x 13), corrugated in parallel

---

### WP-PA HF 13,0 BK - Protective hose

3240681

<https://www.phoenixcontact.com/us/products/3240681>



Protective hose, material: PA 6, UV-resistant: yes, flexible, degree of protection: IP68, color: black, flammability rating in acc. with UL 94: V0, inner diameter: 10 mm, Total length: 50 m



# SAC-5P- 3,0-430/MINFR PWR - Power cable

1443365

<https://www.phoenixcontact.com/us/products/1443365>



## WP-PA HF-HB 13,0 BK - Protective hose

3240839

<https://www.phoenixcontact.com/us/products/3240839>



Protective hose, material: PA 6, UV-resistant: yes, flexible, degree of protection: IP68, color: black, flammability rating in acc. with UL 94: HB, inner diameter: 10 mm, Total length: 50 m

---

## PROT-MINMS-PA-CHAIN - Screw plug

1430925

<https://www.phoenixcontact.com/us/products/1430925>



7/8" sealing cap made of plastic with fixing band, for sensor cables, for 7/8" sockets

# SAC-5P- 3,0-430/MINFR PWR - Power cable

1443365

<https://www.phoenixcontact.com/us/products/1443365>



## B-STIFT - Marker pen

1051993

<https://www.phoenixcontact.com/us/products/1051993>



Marker pen, for manual labeling of unprinted Zack strips, smear-proof and waterproof, line thickness 0.5 mm

---

## CUTFOX-S VDE - Diagonal cutter

1212207

<https://www.phoenixcontact.com/us/products/1212207>



Diagonal cutter for hard (piano wire) and soft wires, VDE 1000 V AC/1500 V DC tested

# SAC-5P- 3,0-430/MINFR PWR - Power cable

1443365

<https://www.phoenixcontact.com/us/products/1443365>

## WIREFOX SAC-1 - Stripping tool

1212757

<https://www.phoenixcontact.com/us/products/1212757>



Stripping pliers, for halogen-free sensor/actuator cables (SAC cables), with PUR and PVC insulation, from Ø of 3.2 to 4.4 mm, any stripping length

---

## WIREFOX SAC - Stripping tool

1212623

<https://www.phoenixcontact.com/us/products/1212623>



Stripping pliers, for halogen-free sensor/actuator cables (SAC cables), with PUR and PVC insulation, from Ø of 4.4 to 7 mm, any stripping length

## SAC-5P- 3,0-430/MINFR PWR - Power cable

1443365

<https://www.phoenixcontact.com/us/products/1443365>



## WIREFOX 10 - Stripping tool

1212150

<https://www.phoenixcontact.com/us/products/1212150>



Stripping tool, for cables and conductors from 0.02 - 10 mm<sup>2</sup>, self-adjusting, stripping length of up to 18 mm, cutting capacity of up to 10 mm<sup>2</sup> stranded/1.5 mm<sup>2</sup> solid, replaceable stripping blade

---

## TSD 08 SAC - Torque screwdriver

1212597

<https://www.phoenixcontact.com/us/products/1212597>



Torque screw driver with preset torque of 0.8 Nm, with 4 mm hexagon for accommodating SAC bits, two-component handle with non-slip grip

# SAC-5P- 3,0-430/MINFR PWR - Power cable



1443365

<https://www.phoenixcontact.com/us/products/1443365>

## TSD-M 1,2NM - Torque screwdriver

1212224

<https://www.phoenixcontact.com/us/products/1212224>



Torque screw driver, accuracy as per EN ISO 6789 standard, adjustable from 0.3 - 1.2 Nm

---

## TSD-M SAC-BIT ADAPTER - Adapter insert

1212600

<https://www.phoenixcontact.com/us/products/1212600>



Adapter bit for TSD-M...torque tools, E6.3-1/4" drive with 4 mm hexagon to accommodate SAC bits

# SAC-5P- 3,0-430/MINFR PWR - Power cable

1443365

<https://www.phoenixcontact.com/us/products/1443365>



## SAC BIT MIN-D25 - Tool

1212512

<https://www.phoenixcontact.com/us/products/1212512>

Nut for assembling 7/8" connectors with a knurl diameter of 25 mm, with 4 mm hexagonal drive



---

Phoenix Contact 2024 © - all rights reserved

<https://www.phoenixcontact.com>

Phoenix Contact USA  
586 Fulling Mill Road  
Middletown, PA 17057, United States  
(+717) 944-1300  
[info@phoenixcon.com](mailto:info@phoenixcon.com)