

Power cable - SAC-5P-MINMR/0,6-430/MINFR PWR - 1443462

Please be informed that the data shown in this PDF Document is generated from our Online Catalog. Please find the complete data in the user's documentation. Our General Terms of Use for Downloads are valid (<http://phoenixcontact.com/download>)



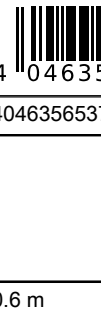
Power cable, 5-position, PVC, gray RAL 7001, Plug angled 7/8"-16UNF, on Socket angled 7/8"-16UNF, cable length: 0.6 m, 1.5 mm² conductor cross section, For power supply

Why buy this product

- ✓ Easy and safe: 100% electrically tested plug-in components
- ✓ Robust connectors in size 7/8"-16UNF
- ✓ High-performance: connectors and cables with a large conductor cross section for power supply



Key Commercial Data

Packing unit	1 STK
GTIN	 4 046356 537025
GTIN	4046356537025

Technical data

Dimensions

Length of cable	0.6 m
-----------------	-------

Ambient conditions

Ambient temperature (operation)	-40 °C ... 90 °C (Plug / socket)
Degree of protection	IP65
	IP67
	IP68

General

Rated current at 40°C	10 A
Rated voltage	600 V AC
	600 V DC
Rated surge voltage	4000 V
Number of positions	5

Power cable - SAC-5P-MINMR/0,6-430/MINFR PWR - 1443462

Technical data

General

Color handle area	black
Insulation resistance	≥ 10 MΩ
Coding	A - standard
Status display	No
Protective circuit/component	Unwired
Overvoltage category	II
Degree of pollution	3
Structure of individual litz in acc. with VDE 0295 / smallest wire diameter	VDE 0295 class 5
Insertion/withdrawal cycles	100

Material

Flammability rating according to UL 94	HB
Contact material	CuZn
Contact surface material	AU
Contact carrier material	PA 6.6
Material of grip body	TPU
Material, knurls	Zinc die-cast, nickel-plated

Standards and Regulations

Flame resistance	UL 1581, Sec. 1061 (Cable Flame)
	IEC 60332-1-2
Flammability rating according to UL 94	HB

Cable

Cable type	PVC gray
Cable type (abbreviation)	430
UL AWM style	21098 (90 °C / 600 V)
Conductor cross section	5x 1.5 mm ²
AWG signal line	16
Conductor structure, voltage supply	30x 0.25 mm
Wire colors	Black 1, black 2, black 3, black 4, green/yellow
Overall twist	5 cores, twisted
External sheath, color	gray RAL 7001
External cable diameter D	10 mm
Minimum bending radius, fixed installation	4 x D
Minimum bending radius, flexible installation	12.5 x D
Cable weight	168 kg/km
Outer sheath, material	PVC
Material conductor insulation	PVC
Conductor material	Bare Cu litz wires
Nominal voltage, cable	600 V
Test voltage, cable	3000 V

Power cable - SAC-5P-MINMR/0,6-430/MINFR PWR - 1443462

Technical data

Cable

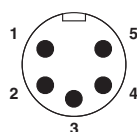
Flame resistance	UL 1581, Sec. 1061 (Cable Flame)
	IEC 60332-1-2
Resistance to oil	good oil-resistance
Ambient temperature (operation)	-40 °C ... 90 °C (cable, fixed installation)
	-5 °C ... 90 °C (cable, flexible installation)

Environmental Product Compliance

REACH SVHC	DOTe 15571-58-1
	Lead 7439-92-1
China RoHS	Environmentally Friendly Use Period = 50
	For details about hazardous substances go to tab "Downloads", Category "Manufacturer's declaration"

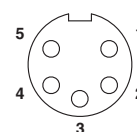
Drawings

Schematic diagram



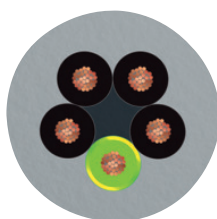
Pin assignment, plug, 7/8"-16UNF, 5-pos., view of male side

Schematic diagram



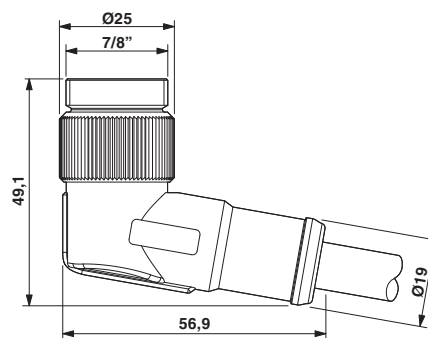
Pin assignment, socket, 7/8"-16UNF, 5-pos., view of female side

Cable cross section



PVC gray [430]

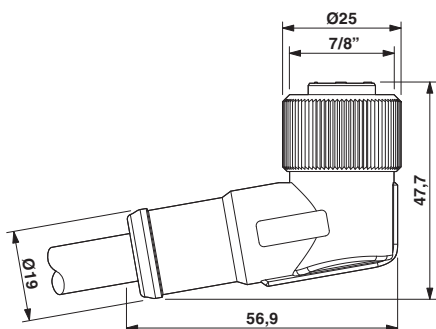
Dimensional drawing



7/8"-16UNF plug, angled

Power cable - SAC-5P-MINMR/0,6-430/MINFR PWR - 1443462

Dimensional drawing



Circuit diagram



Contact assignment of the 7/8" connector and the 7/8" socket

7/8"-16UNF socket, angled

Approvals

Approvals

Approvals

UL Listed / cUL Listed / EAC / cULus Listed

Ex Approvals

Approval details

UL Listed		http://database.ul.com/cgi-bin/XYV/template/LISEXT/1FRAME/index.htm	FILE E 221474
Nominal voltage UN	600 V		
Nominal current IN	10 A		

cUL Listed		http://database.ul.com/cgi-bin/XYV/template/LISEXT/1FRAME/index.htm	FILE E 221474
Nominal voltage UN	600 V		
Nominal current IN	10 A		

EAC		EAC-Zulassung
-----	--	---------------

Power cable - SAC-5P-MINMR/0,6-430/MINFR PWR - 1443462

Approvals

cULus Listed



Phoenix Contact 2018 © - all rights reserved
<http://www.phoenixcontact.com>

PHOENIX CONTACT GmbH & Co. KG
Flachsmarktstr. 8
32825 Blomberg
Germany
Tel. +49 5235 300
Fax +49 5235 3 41200
<http://www.phoenixcontact.com>