

SACC-MINMS-5CON-PG16/2,5 - Connector



1456239

<https://www.phoenixcontact.com/us/products/1456239>

Please be informed that the data shown in this PDF document is generated from our online catalog. Please find the complete data in the user documentation. Our general terms of use for downloads are valid.



Connector, Universal, 5-position, Plug straight 7/8"-16UNF, coding: A, Screw connection, knurl material: Zinc die-cast, nickel-plated, cable gland Pg16, external cable diameter 12 mm ... 14 mm, Contact 3 capacitive

Your advantages

- Safe use in the field, thanks to a high degree of protection
- Screw connection: proven connection technology for a large selection of different conductors

Commercial data

Item number	1456239
Packing unit	1 pc
Minimum order quantity	1 pc
Sales key	BF30
Product key	BF2FAA
Catalog page	Page 25 (C-2-2017)
GTIN	4046356616867
Weight per piece (including packing)	63.64 g
Weight per piece (excluding packing)	63.64 g
Customs tariff number	85366990
Country of origin	DE

SACC-MINMS-5CON-PG16/2,5 - Connector



1456239

<https://www.phoenixcontact.com/us/products/1456239>

Technical data

Notes

Assembly instruction:

NOTE: Observe the permissible bending radii when laying conductors, since the degree of protection may be put in jeopardy if the bending forces are too high. Alleviate mechanical loads upstream of the connector, e.g. by using cable ties.

Mounting

Assembly instructions

The wires can be connected both with ferrules and without ferrules

Product properties

Product type	Circular connector (cable-side)
Sensor type	Universal
Number of positions	5
No. of cable outlets	1
Shielded	no
Coding	A
Pg screw connection	Pg16

Insulation characteristics

Overvoltage category	III
Degree of pollution	3

Dimensions

Dimensional drawing



Width	27 mm
Height	27 mm
Length	90 mm

External dimensions

Outside diameter	12 mm ... 14 mm
------------------	-----------------

Housing

Diameter housing	27 mm
------------------	-------

Material specifications

Flammability rating according to UL 94	HB
Material of grip body	PBT
Contact material	CuZn
Contact surface material	Au

SACC-MINMS-5CON-PG16/2,5 - Connector



1456239

<https://www.phoenixcontact.com/us/products/1456239>

Contact carrier material	PUR/PA 6.6
Material for screw connection	Zinc die-cast, nickel-plated

Connection data

Conductor connection

Connection method	Screw connection
Connection cross section	0.34 mm ² ... 2.5 mm ² (without ferrule)
	0.34 mm ² ... 2.5 mm ² (with ferrule)
	0.34 mm ² ... 2.5 mm ² (solid)
Connection cross section AWG	22 ... 14 (without ferrule)
	22 ... 14 (with ferrule)
Stripping length of the individual wire	7 mm
Tightening torque	0.8 Nm (7/8" connectors)
	0.4 Nm (Screw terminal blocks)
	1 Nm ... 1.4 Nm (Pressure screw)

Electrical properties

Rated surge voltage	4 kV
Contact resistance	≤ 5 mΩ
Insulation resistance	≥ 100 MΩ
Nominal voltage U _N	300 V AC
	300 V DC
Nominal current I _N	9 A

Mechanical properties

Mechanical data

Insertion/withdrawal cycles	≥ 100
-----------------------------	-------

Connector

Connection 1

Head design	Plug
Head cable outlet	straight
Head thread type	7/8"-16UNF
Coding	A

Cable/line

Signal type/category	Universal
Stripping length of the individual wire	7 mm

Environmental and real-life conditions

Ambient conditions

Degree of protection	IP67
Ambient temperature (operation)	-25 °C ... 85 °C (Plug / socket)

SACC-MINMS-5CON-PG16/2,5 - Connector

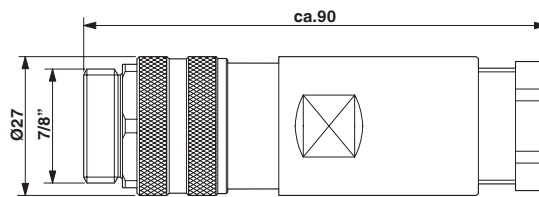
1456239

<https://www.phoenixcontact.com/us/products/1456239>



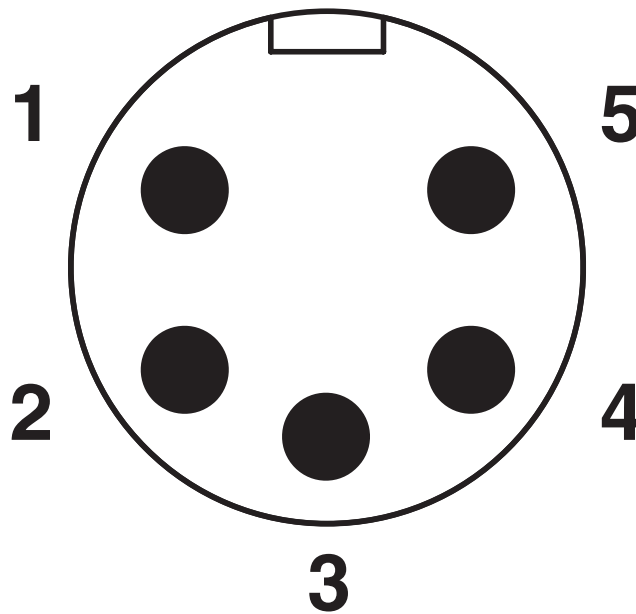
Drawings

Dimensional drawing



7/8" connector, straight

Schematic diagram



Pin assignment, plug, 7/8"-16UNF, 5-pos., view of male side

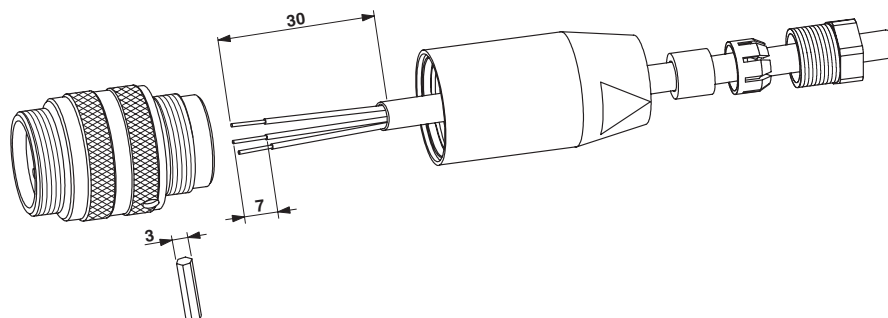
SACC-MINMS-5CON-PG16/2,5 - Connector



1456239

<https://www.phoenixcontact.com/us/products/1456239>

Functional drawing



SACC-MINMS-5CON-PG16/2,5 - Connector





1456239

<https://www.phoenixcontact.com/us/products/1456239>

Approvals

To download certificates, visit the product detail page: <https://www.phoenixcontact.com/us/products/1456239>

 cUL Recognized Approval ID: FILE E 221474				
	Nominal voltage U_N	Nominal current I_N	Cross section AWG	Cross section mm^2
	600 V	16 A	-	-

 UL Recognized Approval ID: FILE E 221474				
	Nominal voltage U_N	Nominal current I_N	Cross section AWG	Cross section mm^2
	600 V	16 A	-	-

 EAC Approval ID: RU C-DE.BL08.B.00511	
--	--

cULus Recognized	
-------------------------	--

SACC-MINMS-5CON-PG16/2,5 - Connector



1456239

<https://www.phoenixcontact.com/us/products/1456239>

Classifications

ECLASS

ECLASS-11.0	27440102
ECLASS-12.0	27440116
ECLASS-13.0	27440116

ETIM

ETIM 9.0	EC002635
----------	----------

UNSPSC

UNSPSC 21.0	39121400
-------------	----------

1456239

<https://www.phoenixcontact.com/us/products/1456239>

Environmental product compliance

EU RoHS

Fulfills EU RoHS substance requirements	Yes
Exemption	6(c)

China RoHS

Environment friendly use period (EFUP)	EFUP-50
	An article-related China RoHS declaration table can be found in the download area for the respective article under "Manufacturer declaration". For all articles with EFUP-E, no China RoHS declaration table issued and required.

EU REACH SVHC

REACH candidate substance (CAS No.)	Lead(CAS: 7439-92-1)
SCIP	44d6f5ba-fe5d-411d-9007-6bf15450584c

SACC-MINMS-5CON-PG16/2,5 - Connector



1456239

<https://www.phoenixcontact.com/us/products/1456239>

Accessories

PROT-MINFS-PA-CHAIN - Sealing cap

1430912

<https://www.phoenixcontact.com/us/products/1430912>

7/8" sealing cap made of plastic with fixing band, for sensor cables, for 7/8" connectors



TSD 08 SAC - Torque screwdriver

1212597

<https://www.phoenixcontact.com/us/products/1212597>

Torque screw driver with preset torque of 0.8 Nm, with 4 mm hexagon for accommodating SAC bits, two-component handle with non-slip grip



SACC-MINMS-5CON-PG16/2,5 - Connector



1456239

<https://www.phoenixcontact.com/us/products/1456239>

TSD-M 1,2NM - Torque screwdriver

1212224

<https://www.phoenixcontact.com/us/products/1212224>



Torque screw driver, accuracy as per EN ISO 6789 standard, adjustable from 0.3 - 1.2 Nm

TSD-M SAC-BIT ADAPTER - Adapter insert

1212600

<https://www.phoenixcontact.com/us/products/1212600>



Adapter bit for TSD-M...torque tools, E6.3-1/4" drive with 4 mm hexagon to accommodate SAC bits

SACC-MINMS-5CON-PG16/2,5 - Connector

1456239

<https://www.phoenixcontact.com/us/products/1456239>



SAC BIT MIN-D25 - Tool

1212512

<https://www.phoenixcontact.com/us/products/1212512>

Nut for assembling 7/8" connectors with a knurl diameter of 25 mm, with 4 mm hexagonal drive



Phoenix Contact 2024 © - all rights reserved

<https://www.phoenixcontact.com>

Phoenix Contact USA
586 Fulling Mill Road
Middletown, PA 17057, United States
(+717) 944-1300
info@phoenixcon.com