

SAC-4P-MS/A-1L-Z D SCO - Valve connectors



1458583

<https://www.phoenixcontact.com/us/products/1458583>

Please be informed that the data shown in this PDF document is generated from our online catalog. Please find the complete data in the user documentation. Our general terms of use for downloads are valid.



Valve connectors, 4-position, Plug straight M12, coding: A, with 1 LED, Wiring: Z diode, on Valve connector A (DESINA), with 1 LED, Wiring: Z diode

Commercial data

| | |
|--------------------------------------|---------------------|
| Item number | 1458583 |
| Packing unit | 1 pc |
| Minimum order quantity | 1 pc |
| Sales key | BF10 |
| Product key | BF1GDA |
| Catalog page | Page 257 (C-2-2019) |
| GTIN | 4046356639033 |
| Weight per piece (including packing) | 32.014 g |
| Weight per piece (excluding packing) | 32.6 g |
| Customs tariff number | 85366990 |
| Country of origin | PL |

SAC-4P-MS/A-1L-Z D SCO - Valve connectors



1458583

<https://www.phoenixcontact.com/us/products/1458583>

Technical data

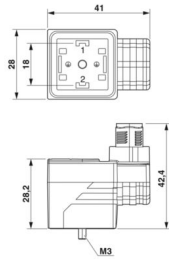
Product properties

| | |
|----------------------|-------------------------|
| Product type | Valve connector adapter |
| Number of positions | 4 |
| No. of cable outlets | 1 |
| Coding | A |

Insulation characteristics

| | |
|----------------------|----|
| Overvoltage category | II |
| Degree of pollution | 3 |

Dimensions

| | |
|---------------------|---|
| Dimensional drawing |  |
| Width | 28 mm |
| Height | 42.4 mm |
| Length | 41 mm |

Connection data

| | |
|-------------------|---------------------|
| Connection method | M12 connector |
| Tightening torque | 0.6 Nm (valve plug) |

Electrical properties

| | |
|-----------------------|----------------------------|
| Insulation resistance | $\geq 100 \text{ M}\Omega$ |
| Nominal voltage U_N | 24 V AC |
| | 24 V DC |
| Nominal current I_N | 4 A |
| Protective circuit | Z diode |

Valve connector characteristics

| | |
|------------------|---|
| Fixing screws | M3 x 29 |
| Pulse power | 40 W (at 100 μs square-wave pulse) |
| Terminal voltage | 70 V (at 2 mA constant current) |
| Reverse voltage | 50 V |

Mechanical properties

Mechanical data

SAC-4P-MS/A-1L-Z D SCO - Valve connectors



1458583

<https://www.phoenixcontact.com/us/products/1458583>

| | |
|-----------------------------|-----------------------|
| Insertion/withdrawal cycles | 50 (valve plug) |
| | ≥ 100 (M12 connector) |

Material specifications

| | |
|--|------------------------------|
| Flammability rating according to UL 94 | HB |
| Seal material | TPU |
| Material housing valve plug | TPU |
| Contact material | CuSn |
| Contact surface material | Ni/Au |
| Contact carrier material | PA 66 |
| Contact material | CuSn |
| Valve plug contact insert material | PA 6.6 |
| Contact surface material | Sn |
| Material for screw connection | Zinc die-cast, nickel-plated |

Signaling

| | |
|------------------------|------------|
| Status display | Yellow LED |
| Status display present | Yes |

Connector

Connection 1

| | |
|---------------------|-------------------|
| Type | Plug straight M12 |
| Number of positions | 4 |
| Coding type | A |

Connection 2

| | |
|---------------------|----------------------------|
| Type | Valve connector A (DESINA) |
| Number of positions | 4 |
| Material | CuSn (Contact) |
| | Sn (Contact surface) |
| | PA 6.6 (Contact carriers) |
| | TPU (Housing) |

Environmental and real-life conditions

Ambient conditions

| | |
|---------------------------------|-------------------------------|
| Degree of protection | IP65 |
| | IP67 |
| Ambient temperature (operation) | -25 °C ... 85 °C (valve plug) |

Standards and regulations

M12

| | |
|--------------------------|-----------------|
| Standard designation | M12 connector |
| Standards/specifications | IEC 61076-2-101 |

SAC-4P-MS/A-1L-Z D SCO - Valve connectors



1458583

<https://www.phoenixcontact.com/us/products/1458583>

Valve connector

| | |
|--------------------------|-----------------|
| Standard designation | Valve connector |
| Standards/specifications | EN 175301-803 |

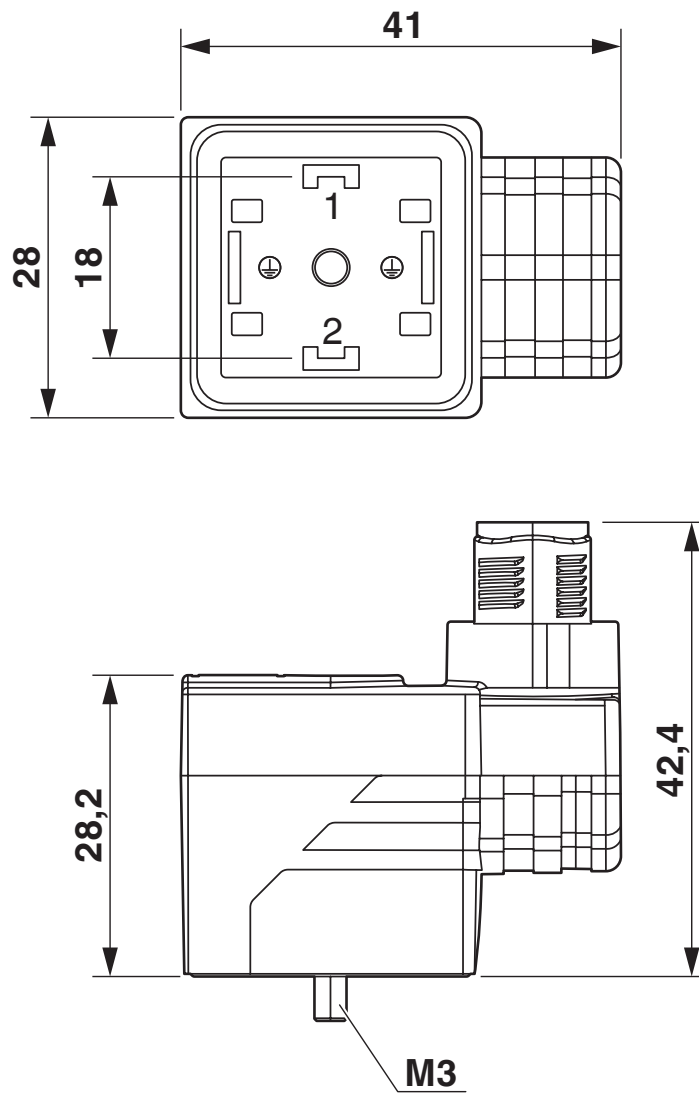
SAC-4P-MS/A-1L-Z D SCO - Valve connectors

1458583

<https://www.phoenixcontact.com/us/products/1458583>

Drawings

Dimensional drawing

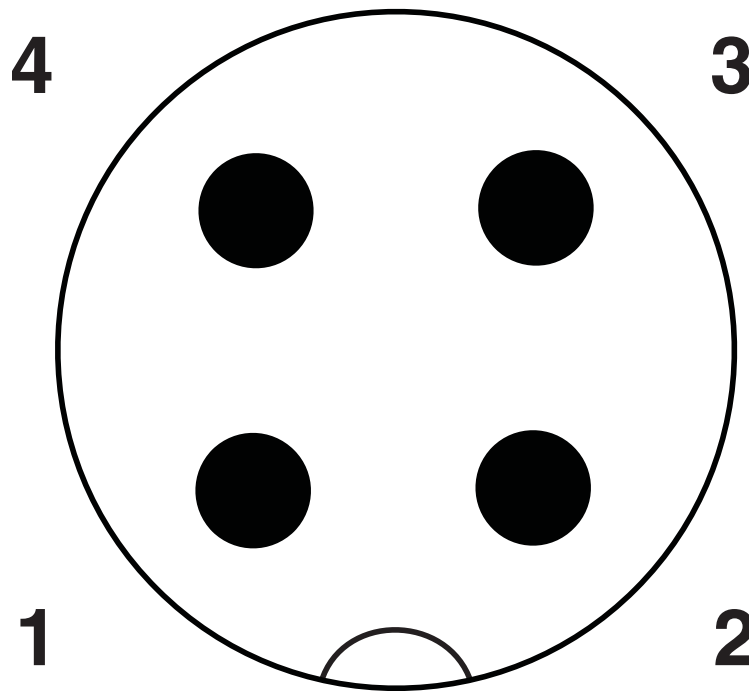


SAC-4P-MS/A-1L-Z D SCO - Valve connectors

1458583

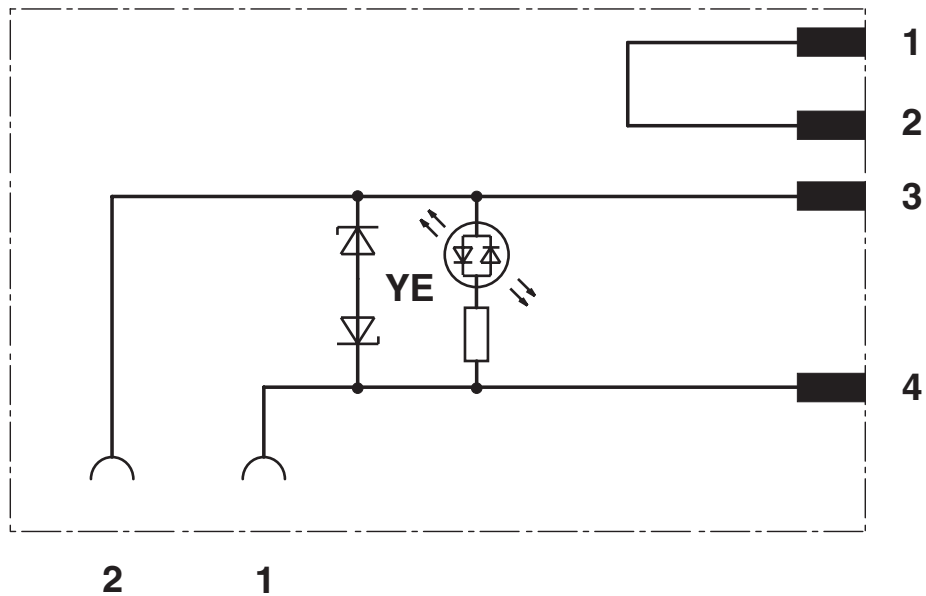
<https://www.phoenixcontact.com/us/products/1458583>

Schematic diagram



Pin assignment M12 plug, 4-pos., A-coded, view plug side

Circuit diagram



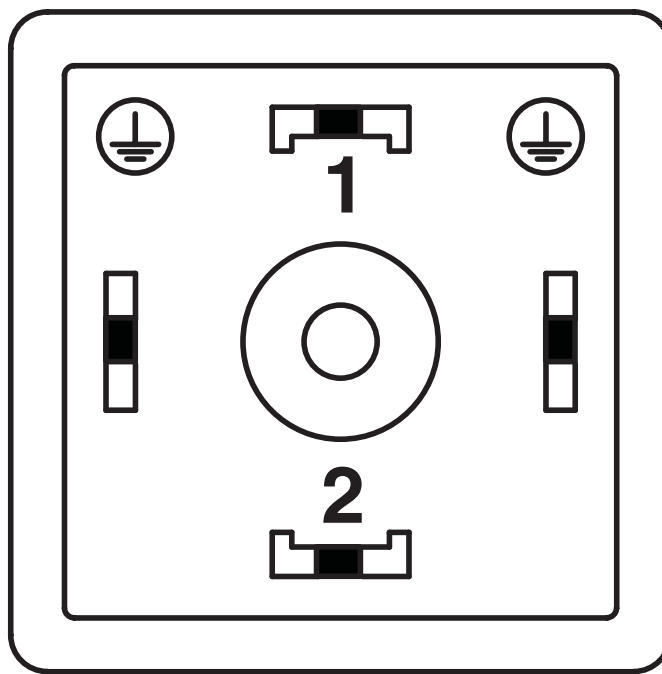
SAC-4P-MS/A-1L-Z D SCO - Valve connectors

1458583

<https://www.phoenixcontact.com/us/products/1458583>



Schematic diagram



Valve connector pin assignment, type A

SAC-4P-MS/A-1L-Z D SCO - Valve connectors



1458583

<https://www.phoenixcontact.com/us/products/1458583>

Approvals

🔗 To download certificates, visit the product detail page: <https://www.phoenixcontact.com/us/products/1458583>

DNV

Approval ID: TAE00002K4



EAC

Approval ID: RU C-DE.AI30.B.01102

SAC-4P-MS/A-1L-Z D SCO - Valve connectors



1458583

<https://www.phoenixcontact.com/us/products/1458583>

Classifications

ECLASS

| | |
|-------------|----------|
| ECLASS-11.0 | 27440105 |
| ECLASS-12.0 | 27440105 |
| ECLASS-13.0 | 27440105 |

ETIM

| | |
|----------|----------|
| ETIM 9.0 | EC003623 |
|----------|----------|

UNSPSC

| | |
|-------------|----------|
| UNSPSC 21.0 | 31251500 |
|-------------|----------|

SAC-4P-MS/A-1L-Z D SCO - Valve connectors



1458583

<https://www.phoenixcontact.com/us/products/1458583>

Environmental product compliance

| | |
|------------|--|
| REACH SVHC | Lead 7439-92-1 |
| China RoHS | Environmentally Friendly Use Period = 50 years |
| | For information on hazardous substances, refer to the manufacturer's declaration available under "Downloads" |

SAC-4P-MS/A-1L-Z D SCO - Valve connectors



1458583

<https://www.phoenixcontact.com/us/products/1458583>

Accessories

TSD-M 1,2NM - Torque screwdriver

1212224

<https://www.phoenixcontact.com/us/products/1212224>



Torque screw driver, accuracy as per EN ISO 6789 standard, adjustable from 0.3 - 1.2 Nm

SF-BIT-PH 1-70 - Screw insert

1212582

<https://www.phoenixcontact.com/us/products/1212582>



Screw bit, PH crosshead, E6.3-1/4" drive, size: PH 1 x 70 mm, hardened, suitable for holder according to DIN 3126-F6.3/ISO 1173

Phoenix Contact 2024 © - all rights reserved

<https://www.phoenixcontact.com>

Phoenix Contact USA

586 Fulling Mill Road

Middletown, PA 17057, United States

(+717) 944-1300

info@phoenixcon.com