

# HC-B 10-TFL-H-O1STM32G - Housing



1460056

<https://www.phoenixcontact.com/us/products/1460056>

Please be informed that the data shown in this PDF document is generated from our online catalog. Please find the complete data in the user documentation. Our general terms of use for downloads are valid.



HEAVYCON B10 sleeve housing, for single locking latch, height: 72 mm, with 1 x M32 thread, straight cable outlet

## Commercial data

Item number	1460056
Packing unit	1 pc
Note	Made to order (non-returnable)
Sales key	BF55
Product key	BF7AAC
Catalog page	Page 494 (C-4-2013)
GTIN	4046356695473
Weight per piece (including packing)	172.59 g
Weight per piece (excluding packing)	172.59 g
Customs tariff number	85389099
Country of origin	DE

# HC-B 10-TFL-H-O1STM32G - Housing

1460056

<https://www.phoenixcontact.com/us/products/1460056>

## Technical data

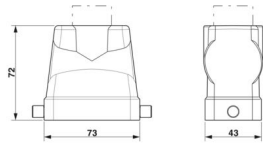
### Notes

General	For contact inserts HC-B10, BB18, DD42, M, K8/24
---------	--

### Product properties

Product type	Housing with locking latch
Housing type	Sleeve housing
Application	Standard
Type	B10
No. of cable outlets	1
Type of the screw connection	1x M32
Shielded	no
Cable outlet	straight
Pg screw connection	none

### Dimensions

Dimensional drawing	
Width	43 mm
Height	72 mm
Length	73 mm

### Material specifications

Housing material	die-cast aluminum
Housing surface material	Powder-coated, gray

### Mechanical properties

#### Mechanical data

Type of the screw connection	1x M32
Locking type	Pin

### Environmental and real-life conditions

#### Ambient conditions

Degree of protection	IP65
Ambient temperature (operation)	-40 °C ... 125 °C

# HC-B 10-TFL-H-O1STM32G - Housing

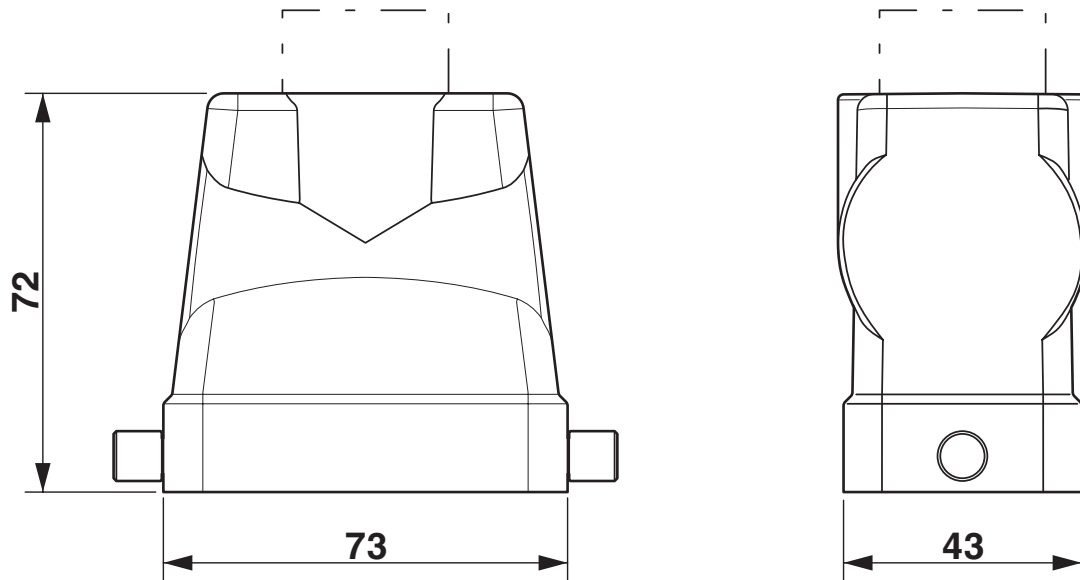


1460056

<https://www.phoenixcontact.com/us/products/1460056>

## Drawings

Dimensional drawing



Dimensional drawing

# HC-B 10-TFL-H-O1STM32G - Housing



1460056

<https://www.phoenixcontact.com/us/products/1460056>

## Classifications

### ECLASS

ECLASS-11.0	27440202
ECLASS-13.0	27440202

### UNSPSC

UNSPSC 21.0	31261501
-------------	----------

# HC-B 10-TFL-H-O1STM32G - Housing



1460056

<https://www.phoenixcontact.com/us/products/1460056>

## Environmental product compliance

### EU RoHS

Fulfills EU RoHS substance requirements	Yes, No exemptions
---	--------------------

### China RoHS

Environment friendly use period (EFUP)	EFUP-E
	No hazardous substances above the limits

### EU REACH SVHC

REACH candidate substance (CAS No.)	No substance above 0.1 wt%
-------------------------------------	----------------------------

# HC-B 10-TFL-H-O1STM32G - Housing

1460056

<https://www.phoenixcontact.com/us/products/1460056>

## Accessories

### G-INS-M32-M68N-PNES-GY - Cable gland

1411127

<https://www.phoenixcontact.com/us/products/1411127>



Cable gland, material for screw connection: PA, application: Standard, external cable diameter 15 mm ... 21 mm, shielding: no, connecting thread: M32 x 1.5, color: silver-grey RAL 7001

---

### G-INS-M32-M68N-PNES-BK - Cable gland

1411136

<https://www.phoenixcontact.com/us/products/1411136>



Cable gland, material for screw connection: PA, application: Standard, external cable diameter 15 mm ... 21 mm, shielding: no, connecting thread: M32 x 1.5, color: jet black RAL 9005

# HC-B 10-TFL-H-O1STM32G - Housing

1460056

<https://www.phoenixcontact.com/us/products/1460056>

## G-INS-M32-M68N-NNES-S - Cable gland

1411166

<https://www.phoenixcontact.com/us/products/1411166>



Cable gland, material for screw connection: Brass, nickel-plated, application: Standard, external cable diameter 15 mm ... 21 mm, shielding: no, connecting thread: M32 x 1.5, color: silver, with O-ring

---

## HC-M-KV-M32(19-27) - Cable gland

1646010

<https://www.phoenixcontact.com/us/products/1646010>



Metal screw connection up to 5 bar, thread length: 8 mm, cable diameter: 19 - 27 mm, WAF 43, screw connection: M32

# HC-B 10-TFL-H-O1STM32G - Housing

1460056

<https://www.phoenixcontact.com/us/products/1460056>



## G-INSEC-M32-M68N-NCRS-S - Cable gland

1411191

<https://www.phoenixcontact.com/us/products/1411191>



Cable gland, material for screw connection: Brass, nickel-plated, application: EMC, external cable diameter 14 mm ... 21 mm, shielding: yes, connecting thread: M32 x 1.5, color: silver, with O-ring

---

## HC-M-KV-Z-M32 - Cable gland

1646162

<https://www.phoenixcontact.com/us/products/1646162>



Metal screw connection with strain relief clamp, thread length: 8 mm, cable sealing area: 18 - 27 mm, clamping area: 19 - 30 mm, SW 40, screw connection: M32

# HC-B 10-TFL-H-O1STM32G - Housing

1460056

<https://www.phoenixcontact.com/us/products/1460056>



## HC-M-KV-T-M32 - Cable gland

1646201

<https://www.phoenixcontact.com/us/products/1646201>

Metal screw connection with cable bend protection and strain relief, thread length: 8 mm, cable sealing area: 18 - 27 mm, clamping area: 20 - 30 mm, SW 40, screw connection: M32



---

## REDUC-M-KV-M32/M25 - Reducing adapter

1647637

<https://www.phoenixcontact.com/us/products/1647637>

Reducing adapter, connecting thread: M32 x 1.5, color: silver, with O-ring



# HC-B 10-TFL-H-O1STM32G - Housing



1460056

<https://www.phoenixcontact.com/us/products/1460056>

## ENLAR-M-KV-M32/M40 - Extension adapter

1647682

<https://www.phoenixcontact.com/us/products/1647682>

Extension adapter, connecting thread: M32 x 1.5, color: silver, with O-ring



---

## HC-M-BS-M32 - Screw plug

1645862

<https://www.phoenixcontact.com/us/products/1645862>

Screw plug, material for screw connection: Brass, nickel-plated, connecting thread: M32 x 1.5, color: silver



---

Phoenix Contact 2024 © - all rights reserved  
<https://www.phoenixcontact.com>

Phoenix Contact USA  
586 Fulling Mill Road  
Middletown, PA 17057, United States  
(+717) 944-1300  
[info@phoenixcon.com](mailto:info@phoenixcon.com)