

HC-B 16-TFL-H-O1STM25S - Housing



1460123

<https://www.phoenixcontact.com/us/products/1460123>

Please be informed that the data shown in this PDF document is generated from our online catalog. Please find the complete data in the user documentation. Our general terms of use for downloads are valid.



HEAVYCON B16 sleeve housing, for single locking latch, height: 76 mm, with 1 x M25 thread, lateral cable outlet

Commercial data

Item number	1460123
Packing unit	1 pc
Note	Made to order (non-returnable)
Sales key	BF55
Product key	BF7AAC
GTIN	4046356793810
Weight per piece (including packing)	219.2 g
Weight per piece (excluding packing)	219.2 g
Customs tariff number	85389099
Country of origin	DE

HC-B 16-TFL-H-O1STM25S - Housing



1460123

<https://www.phoenixcontact.com/us/products/1460123>

Technical data

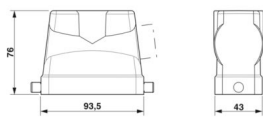
Notes

General	For contact inserts HC-B16, BB32, BBB40, D40, DD72, HS6, M, K
---------	---

Product properties

Product type	Housing with locking latch
Type	B16
No. of cable outlets	1
Type of the screw connection	1x M25
Housing type	Sleeve housing
Cable outlet	lateral
Pg screw connection	none

Dimensions

Dimensional drawing	
Width	43 mm
Height	76 mm
Length	94 mm

Material specifications

Housing material	die-cast aluminum
Housing surface material	Powder-coated, gray

Mechanical properties

Mechanical data

Type of the screw connection	1x M25
------------------------------	--------

Environmental and real-life conditions

Ambient conditions

Degree of protection	IP65
Ambient temperature (operation)	-40 °C ... 125 °C

HC-B 16-TFL-H-O1STM25S - Housing

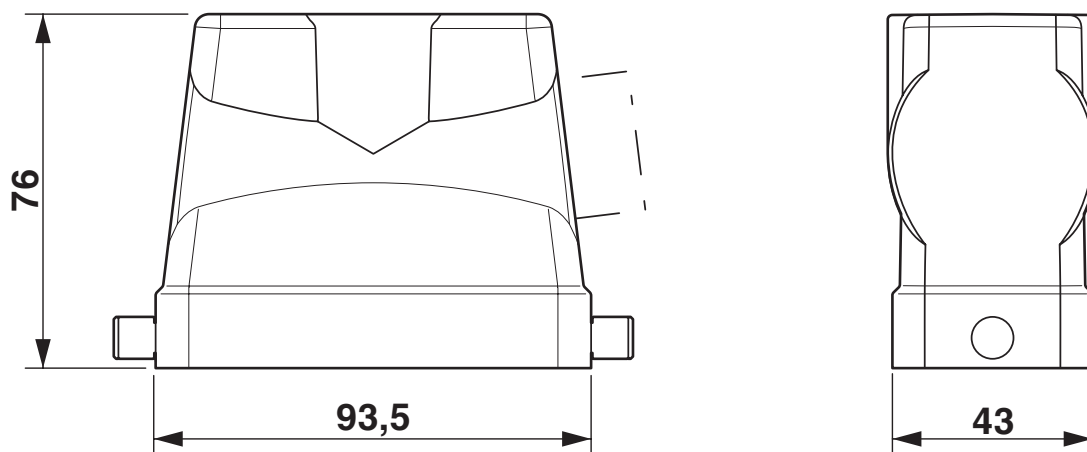
1460123

<https://www.phoenixcontact.com/us/products/1460123>



Drawings

Dimensional drawing



Dimensional drawing

HC-B 16-TFL-H-O1STM25S - Housing



1460123

<https://www.phoenixcontact.com/us/products/1460123>

Classifications

ECLASS

ECLASS-11.0	27440202
ECLASS-13.0	27440202

UNSPSC

UNSPSC 21.0	31261501
-------------	----------

HC-B 16-TFL-H-O1STM25S - Housing



1460123

<https://www.phoenixcontact.com/us/products/1460123>

Environmental product compliance

China RoHS	Environmentally friendly use period: unlimited = EFUP-e
	No hazardous substances above threshold values

HC-B 16-TFL-H-O1STM25S - Housing

1460123

<https://www.phoenixcontact.com/us/products/1460123>

Accessories

G-INS-M25-M68N-PNES-GY - Cable gland

1411126

<https://www.phoenixcontact.com/us/products/1411126>



Cable gland, material for screw connection: PA, external cable diameter 11 mm .
.. 17 mm, shielding: no, connecting thread: M25 x 1.5, color: silver-grey
RAL 7001

G-INS-M25-M68N-PNES-BK - Cable gland

1411134

<https://www.phoenixcontact.com/us/products/1411134>



Cable gland, material for screw connection: PA, external cable diameter 11 mm .
.. 17 mm, shielding: no, connecting thread: M25 x 1.5, color: jet black RAL 9005

HC-B 16-TFL-H-O1STM25S - Housing

1460123

<https://www.phoenixcontact.com/us/products/1460123>

G-INS-M25-M68N-NNES-S - Cable gland

1411165

<https://www.phoenixcontact.com/us/products/1411165>



Cable gland, material for screw connection: Brass, nickel-plated, external cable diameter 11 mm ... 17 mm, shielding: no, connecting thread: M25 x 1.5, color: silver, with O-ring

HC-M-KV-M25(14-21) - Cable gland

1646007

<https://www.phoenixcontact.com/us/products/1646007>



Metal screw connection up to 5 bar, thread length: 7 mm, cable diameter: 14 - 21 mm, WAF 34, screw connection: M25

HC-B 16-TFL-H-O1STM25S - Housing

1460123

<https://www.phoenixcontact.com/us/products/1460123>

G-INSEC-M25-S68N-NCRS-S - Cable gland

1411190

<https://www.phoenixcontact.com/us/products/1411190>



Cable gland, material for screw connection: Brass, nickel-plated, external cable diameter 11 mm ... 16 mm, shielding: yes, connecting thread: M25 x 1.5, color: silver, with O-ring

G-INESR-M25-M68N-NEPDS-S - Cable gland

1415193

<https://www.phoenixcontact.com/us/products/1415193>



Cable gland, material for screw connection: Brass, nickel-plated, external cable diameter 9 mm ... 17 mm, shielding: no, connecting thread: M25 x 1.5, color: silver, with external strain relief, with O-ring

HC-B 16-TFL-H-O1STM25S - Housing

1460123

<https://www.phoenixcontact.com/us/products/1460123>

HC-M-KV-T-M25 - Cable gland

1646191

<https://www.phoenixcontact.com/us/products/1646191>

Metal screw connection with cable bend protection and strain relief, thread length: 7 mm, cable sealing area: 10 - 19 mm, clamping area: 14 - 21 mm, SW 30, screw connection: M25



REDUC-M-KV-M25/M20 - Reducing adapter

1647624

<https://www.phoenixcontact.com/us/products/1647624>

Reducing adapter, connecting thread: M25 x 1.5, color: silver, with O-ring



HC-B 16-TFL-H-O1STM25S - Housing

1460123

<https://www.phoenixcontact.com/us/products/1460123>



ENLAR-M-KV-M25/M32 - Extension adapter

1647679

<https://www.phoenixcontact.com/us/products/1647679>

Extension adapter, connecting thread: M25 x 1.5, color: silver, with O-ring



HC-M-BS-M25 - Screw plug

1645859

<https://www.phoenixcontact.com/us/products/1645859>

Screw plug, material for screw connection: Brass, nickel-plated, connecting thread: M25 x 1.5, color: silver



Phoenix Contact 2024 © - all rights reserved
<https://www.phoenixcontact.com>

Phoenix Contact USA
586 Fulling Mill Road
Middletown, PA 17057, United States
(+717) 944-1300
info@phoenixcon.com