

HC-B 16-TFQ-H-O1STM32G - Housing



1460155

<https://www.phoenixcontact.com/nz/products/1460155>

Please be informed that the data shown in this PDF document is generated from our online catalog. Please find the complete data in the user documentation. Our general terms of use for downloads are valid.



HEAVYCON B16 sleeve housing, for double locking latch, height: 76 mm, with 1 x M32 thread, straight cable outlet

Commercial data

Item number	1460155
Packing unit	10 pc
Minimum order quantity	10 pc
Sales key	BF7AAC
Product key	BF7AAC
Catalog page	Page 514 (C-4-2013)
GTIN	4046356696012
Weight per piece (including packing)	204.76 g
Weight per piece (excluding packing)	204.76 g
Country of origin	DE

HC-B 16-TFQ-H-O1STM32G - Housing

1460155

<https://www.phoenixcontact.com/nz/products/1460155>

Technical data

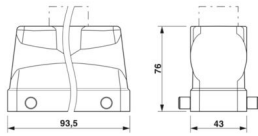
Notes

General	For contact inserts HC-B16, BB32, BBB40, D40, DD72, HS6, M, K
---------	---

Product properties

Type	B16
Product type	Housing with locking latch
Application	Standard
No. of cable outlets	1
Type of the screw connection	1x M32
Housing type	Sleeve housing
Shielded	no
Cable outlet	straight
Pg screw connection	none

Dimensions

Dimensional drawing	
Width	43 mm
Height	76 mm
Length	94 mm

Material specifications

Housing surface material	Powder-coated, gray
Housing material	die-cast aluminum

Mechanical properties

Mechanical data

Type of the screw connection	1x M32
Locking type	Pin

Environmental and real-life conditions

Ambient conditions

Degree of protection	IP65
Ambient temperature (operation)	-40 °C ... 125 °C

HC-B 16-TFQ-H-O1STM32G - Housing

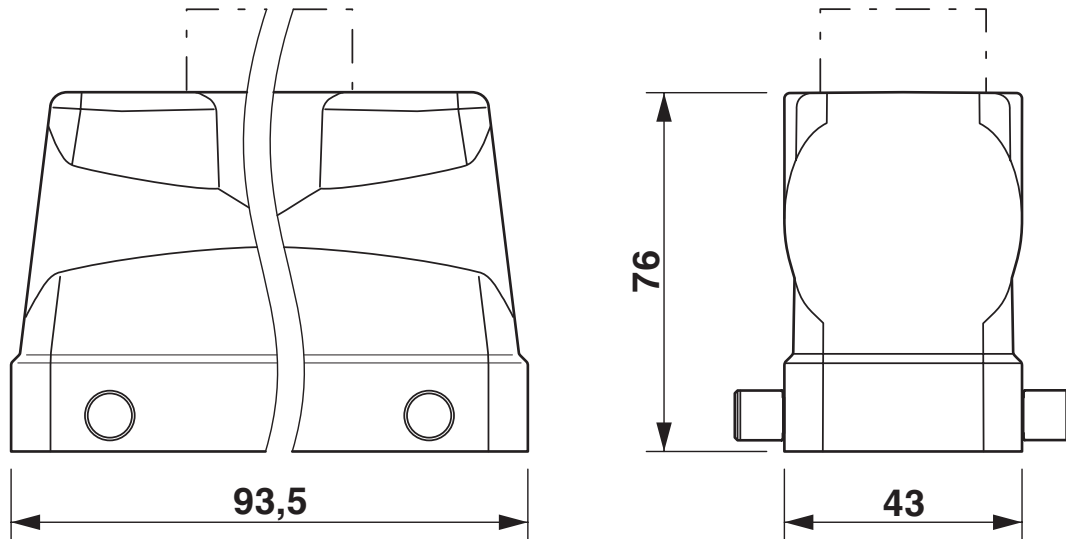


1460155

<https://www.phoenixcontact.com/nz/products/1460155>

Drawings

Dimensional drawing



Dimensional drawing

HC-B 16-TFQ-H-O1STM32G - Housing



1460155

<https://www.phoenixcontact.com/nz/products/1460155>

Classifications

ECLASS

ECLASS-11.0	27440202
ECLASS-13.0	27440202

UNSPSC

UNSPSC 21.0	31261501
-------------	----------

HC-B 16-TFQ-H-O1STM32G - Housing



1460155

<https://www.phoenixcontact.com/nz/products/1460155>

Environmental product compliance

China RoHS	Environmentally friendly use period: unlimited = EFUP-e No hazardous substances above threshold values
------------	---

Phoenix Contact 2024 © - all rights reserved
<https://www.phoenixcontact.com>

PHOENIX CONTACT Ltd
Unit 15C, 906-930 Great South Road, Penrose
Auckland 1061
0508 474 636
sales@phoenixcontact.co.nz