

HC-B 16-KMQ-H-O1M32 - Housing

1460181

<https://www.phoenixcontact.com/us/products/1460181>

Please be informed that the data shown in this PDF document is generated from our online catalog. Please find the complete data in the user documentation. Our general terms of use for downloads are valid.



HEAVYCON B16 coupling housing, with double locking latch, height: 82 mm, with 1 x M32 gland, straight cable outlet

Commercial data

Item number	1460181
Packing unit	1 pc
Note	Made to order (non-returnable)
Sales key	BF55
Product key	BF7AAC
GTIN	4046356794077
Weight per piece (including packing)	281.15 g
Weight per piece (excluding packing)	280.97 g
Customs tariff number	85389099
Country of origin	DE

HC-B 16-KMQ-H-O1M32 - Housing

1460181

<https://www.phoenixcontact.com/us/products/1460181>

Technical data

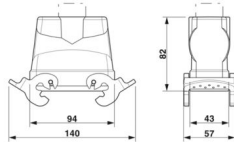
Notes

General	For contact inserts HC-B16, BB32, BBB40, D40, DD72, HS6, M, K
---------	---

Product properties

Product type	Housing with locking latch
Type	B16
No. of cable outlets	1
Type of the screw connection	1x M32
Housing type	Coupling housings
Cable outlet	straight
Pg screw connection	none

Dimensions

Dimensional drawing	
Width	43 mm
Height	82 mm
Length	94 mm

Material specifications

Seal material	NBR
Housing material	die-cast aluminum
Housing surface material	Powder-coated, gray
Locking latch material	Stainless steel, handle: PA

Mechanical properties

Mechanical data

Type of the screw connection	1x M32
------------------------------	--------

Mounting

Assembly instructions	For half and full screw connections
-----------------------	-------------------------------------

Environmental and real-life conditions

Ambient conditions

Degree of protection	IP65
Ambient temperature (operation)	-40 °C ... 125 °C

HC-B 16-KMQ-H-O1M32 - Housing

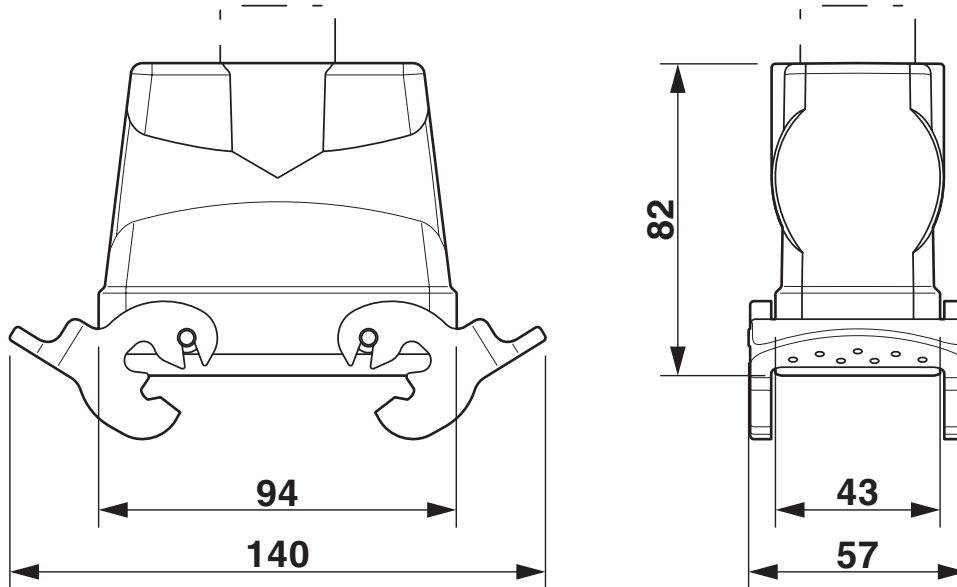


1460181

<https://www.phoenixcontact.com/us/products/1460181>

Drawings

Dimensional drawing



Dimensional drawing

HC-B 16-KMQ-H-O1M32 - Housing



1460181

<https://www.phoenixcontact.com/us/products/1460181>

Classifications

ECLASS

ECLASS-11.0	27440202
ECLASS-13.0	27440202

UNSPSC

UNSPSC 21.0	31261501
-------------	----------

HC-B 16-KMQ-H-O1M32 - Housing



1460181

<https://www.phoenixcontact.com/us/products/1460181>

Environmental product compliance

China RoHS	Environmentally friendly use period: unlimited = EFUP-e
	No hazardous substances above threshold values

HC-B 16-KMQ-H-O1M32 - Housing

1460181

<https://www.phoenixcontact.com/us/products/1460181>

Accessories

G-INS-M32-M68N-PNES-GY - Cable gland

1411127

<https://www.phoenixcontact.com/us/products/1411127>



Cable gland, material for screw connection: PA, external cable diameter 15 mm .
.. 21 mm, shielding: no, connecting thread: M32 x 1.5, color: silver-grey
RAL 7001

G-INS-M32-M68N-PNES-BK - Cable gland

1411136

<https://www.phoenixcontact.com/us/products/1411136>



Cable gland, material for screw connection: PA, external cable diameter 15 mm .
.. 21 mm, shielding: no, connecting thread: M32 x 1.5, color: jet black RAL 9005

HC-B 16-KMQ-H-O1M32 - Housing

1460181

<https://www.phoenixcontact.com/us/products/1460181>



G-INS-M32-M68N-NNES-S - Cable gland

1411166

<https://www.phoenixcontact.com/us/products/1411166>



Cable gland, material for screw connection: Brass, nickel-plated, external cable diameter 15 mm ... 21 mm, shielding: no, connecting thread: M32 x 1.5, color: silver, with O-ring

HC-M-KV-M32(19-27) - Cable gland

1646010

<https://www.phoenixcontact.com/us/products/1646010>



Metal screw connection up to 5 bar, thread length: 8 mm, cable diameter: 19 - 27 mm, WAF 43, screw connection: M32

HC-B 16-KMQ-H-O1M32 - Housing

1460181

<https://www.phoenixcontact.com/us/products/1460181>



G-INSEC-M32-M68N-NCRS-S - Cable gland

1411191

<https://www.phoenixcontact.com/us/products/1411191>



Cable gland, material for screw connection: Brass, nickel-plated, external cable diameter 14 mm ... 21 mm, shielding: yes, connecting thread: M32 x 1.5, color: silver, with O-ring

HC-M-KV-Z-M32 - Cable gland

1646162

<https://www.phoenixcontact.com/us/products/1646162>



Metal screw connection with strain relief clamp, thread length: 8 mm, cable sealing area: 18 - 27 mm, clamping area: 19 - 30 mm, SW 40, screw connection: M32

HC-B 16-KMQ-H-O1M32 - Housing

1460181

<https://www.phoenixcontact.com/us/products/1460181>



HC-M-KV-T-M32 - Cable gland

1646201

<https://www.phoenixcontact.com/us/products/1646201>

Metal screw connection with cable bend protection and strain relief, thread length: 8 mm, cable sealing area: 18 - 27 mm, clamping area: 20 - 30 mm, SW 40, screw connection: M32



REDUC-M-KV-M32/M25 - Reducing adapter

1647637

<https://www.phoenixcontact.com/us/products/1647637>

Reducing adapter, connecting thread: M32 x 1.5, color: silver, with O-ring



HC-B 16-KMQ-H-O1M32 - Housing

1460181

<https://www.phoenixcontact.com/us/products/1460181>



ENLAR-M-KV-M32/M40 - Extension adapter

1647682

<https://www.phoenixcontact.com/us/products/1647682>

Extension adapter, connecting thread: M32 x 1.5, color: silver, with O-ring



HC-M-BS-M32 - Screw plug

1645862

<https://www.phoenixcontact.com/us/products/1645862>

Screw plug, material for screw connection: Brass, nickel-plated, connecting thread: M32 x 1.5, color: silver



Phoenix Contact 2024 © - all rights reserved
<https://www.phoenixcontact.com>

Phoenix Contact USA
586 Fulling Mill Road
Middletown, PA 17057, United States
(+717) 944-1300
info@phoenixcon.com