

HC-B 24-TFL-H-O1PG29G - Housing



1460207

<https://www.phoenixcontact.com/us/products/1460207>

Please be informed that the data shown in this PDF document is generated from our online catalog. Please find the complete data in the user documentation. Our general terms of use for downloads are valid.



HEAVYCON B24 sleeve housing, for single locking latch, height: 76 mm, with 1 x Pg29 gland, straight cable outlet

Commercial data

Item number	1460207
Packing unit	1 pc
Note	Made to order (non-returnable)
Sales key	BF55
Product key	BF7AAC
Catalog page	Page 528 (C-4-2013)
GTIN	4046356696234
Weight per piece (including packing)	304.7 g
Weight per piece (excluding packing)	280.1 g
Customs tariff number	85389099
Country of origin	DE

HC-B 24-TFL-H-O1PG29G - Housing

1460207

<https://www.phoenixcontact.com/us/products/1460207>

Technical data

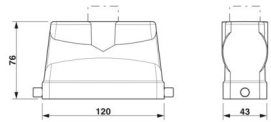
Notes

General	For contact inserts HC-B24, BB46, BBB64, D64, DD108, M
---------	--

Product properties

Product type	Housing with locking latch
Housing type	Sleeve housing
Application	Standard
Type	B24
No. of cable outlets	1
Type of the screw connection	1x Pg29
Shielded	no
Cable outlet	straight
Pg screw connection	none

Dimensions

Dimensional drawing	
Width	43 mm
Height	76 mm
Length	120 mm

Material specifications

Housing material	die-cast aluminum
Housing surface material	Powder-coated, gray

Mechanical properties

Mechanical data

Type of the screw connection	1x Pg29
Locking type	Pin

Mounting

Assembly note	For half and full screw connections
---------------	-------------------------------------

Environmental and real-life conditions

Ambient conditions

Degree of protection	IP65
Ambient temperature (operation)	-40 °C ... 125 °C

HC-B 24-TFL-H-O1PG29G - Housing

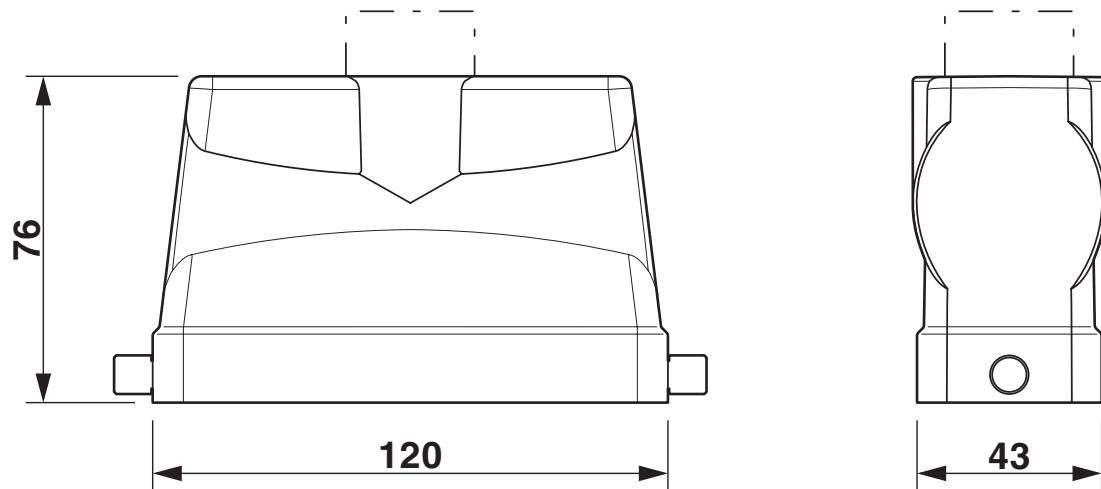
1460207

<https://www.phoenixcontact.com/us/products/1460207>



Drawings

Dimensional drawing



Dimensional drawing

HC-B 24-TFL-H-O1PG29G - Housing



1460207

<https://www.phoenixcontact.com/us/products/1460207>

Classifications

ECLASS

ECLASS-11.0	27440202
ECLASS-13.0	27440202

UNSPSC

UNSPSC 21.0	31261501
-------------	----------

HC-B 24-TFL-H-O1PG29G - Housing



1460207

<https://www.phoenixcontact.com/us/products/1460207>

Environmental product compliance

China RoHS

Environment friendly use period (EFUP)	EFUP-E
	No hazardous substances above the limits

EU REACH SVHC

REACH candidate substance (CAS No.)	No substance above 0.1 wt%
-------------------------------------	----------------------------

HC-B 24-TFL-H-O1PG29G - Housing

1460207

<https://www.phoenixcontact.com/us/products/1460207>

Accessories

G-INS-PG29-M68N-PNES-GY - Cable gland

1411146

<https://www.phoenixcontact.com/us/products/1411146>



Cable gland, material for screw connection: PA, application: Standard, external cable diameter 18 mm ... 25 mm, shielding: no, connecting thread: Pg29, color: silver-grey RAL 7001

G-INS-PG29-M68N-NNES-S - Cable gland

1411176

<https://www.phoenixcontact.com/us/products/1411176>



Cable gland, material for screw connection: Brass, nickel-plated, application: Standard, external cable diameter 18 mm ... 25 mm, shielding: no, connecting thread: Pg29, color: silver, with O-ring

HC-B 24-TFL-H-O1PG29G - Housing

1460207

<https://www.phoenixcontact.com/us/products/1460207>



G-INSEC-PG29-M68N-NNES-S - Cable gland

1411201

<https://www.phoenixcontact.com/us/products/1411201>



Cable gland, material for screw connection: Brass, nickel-plated, application: EMC, external cable diameter 18 mm ... 25 mm, shielding: yes, connecting thread: Pg29, color: silver, with O-ring

HC-BS-PG29 - Screw plug

1674532

<https://www.phoenixcontact.com/us/products/1674532>



Screw plug, material for screw connection: Brass, nickel-plated, connecting thread: Pg29, color: silver

Phoenix Contact 2024 © - all rights reserved
<https://www.phoenixcontact.com>

Phoenix Contact USA
586 Fulling Mill Road
Middletown, PA 17057, United States
(+717) 944-1300
info@phoenixcon.com