

# HC-B 10-TMB-100/O1STM25S-EEE - Housing



1460366

<https://www.phoenixcontact.com/us/products/1460366>

Please be informed that the data shown in this PDF document is generated from our online catalog. Please find the complete data in the user documentation. Our general terms of use for downloads are valid.



HEAVYCON ADVANCE B10 sleeve housing, with bayonet locking (Allen screw), salt water resistant aluminum, height: 100 mm, with 1 x M25 thread, lateral cable outlet, without surface; conductive seal (EMC properties)

## Commercial data

Item number	1460366
Packing unit	1 pc
Note	Made to order (non-returnable)
Sales key	BF58
Product key	BF7AAA
Catalog page	Page 568 (PC-2011)
GTIN	4046356592659
Weight per piece (including packing)	500 g
Weight per piece (excluding packing)	500 g
Customs tariff number	85389099
Country of origin	DE

1460366

<https://www.phoenixcontact.com/us/products/1460366>

## Technical data

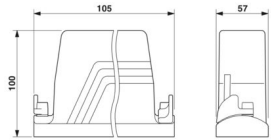
### Notes

General	For contact inserts HC-B10, BB18, DD42, M, K8/24
---------	--

### Product properties

Product type	Housing with bayonet locking
Housing type	Sleeve housing
Application	Offshore/EMC
Type	B10
No. of cable outlets	1
Type of the screw connection	1x M25
Fixing screws	M6
Shielded	yes
Cable outlet	lateral
Pg screw connection	none

### Dimensions

Dimensional drawing	
Width	57 mm
Height	100 mm
Length	105 mm

### Material specifications

Seal material	NBR, conductive
Housing material	Die-cast aluminum, corrosion resistant
Housing surface material	uncoated
Locking latch material	Stainless steel

### Environmental and real-life conditions

#### Ambient conditions

Degree of protection	IP66
	IP67
Ambient temperature (operation)	-40 °C ... 125 °C

### Mechanical properties

#### Mechanical data

Type of the screw connection	1x M25
Locking type	Screw

# HC-B 10-TMB-100/O1STM25S-EEE - Housing



1460366

<https://www.phoenixcontact.com/us/products/1460366>

## Mounting

Assembly note	If insulating powder coating is present on the control cabinet panel, it should be removed from the profile gasket area in order to ensure optimum shielding.
Fixing screws	M6

# HC-B 10-TMB-100/O1STM25S-EEE - Housing

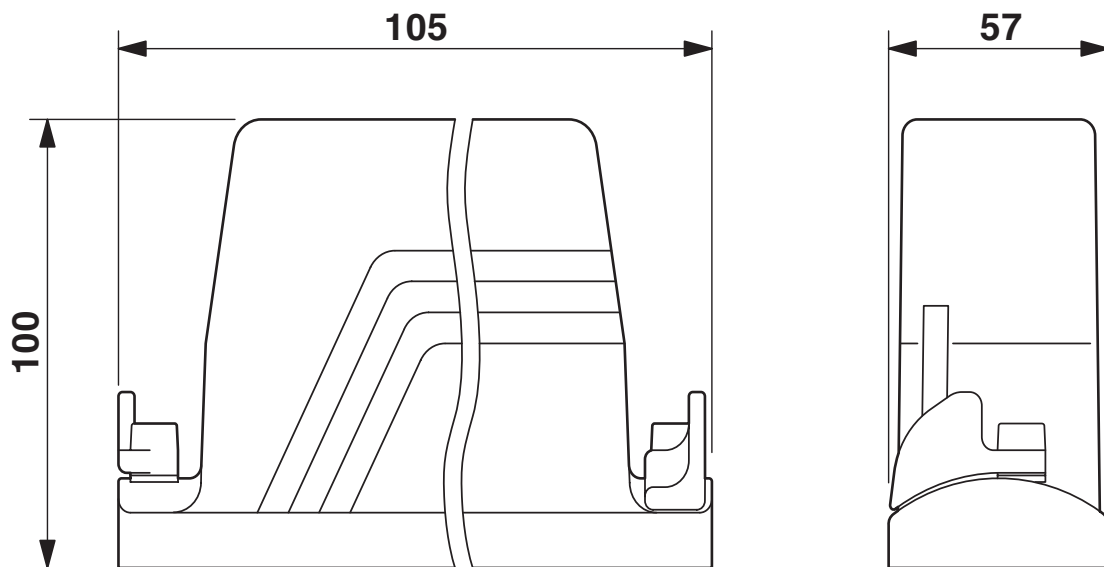


1460366

<https://www.phoenixcontact.com/us/products/1460366>

## Drawings

Dimensional drawing



Dimensional drawing

Dimensional drawing



Panel cutout

<sup>2)</sup> when self-tapping screws are used (Torx<sup>®</sup> 20, M4)

# HC-B 10-TMB-100/O1STM25S-EEE - Housing



1460366

<https://www.phoenixcontact.com/us/products/1460366>

## Classifications

### ECLASS

ECLASS-11.0	27440202
ECLASS-13.0	27440202

1460366

<https://www.phoenixcontact.com/us/products/1460366>

## Environmental product compliance

### EU RoHS

Fulfills EU RoHS substance requirements	Yes, No exemptions
---	--------------------

### China RoHS

Environment friendly use period (EFUP)	EFUP-E
	No hazardous substances above the limits

### EU REACH SVHC

REACH candidate substance (CAS No.)	No substance above 0.1 wt%
-------------------------------------	----------------------------

# HC-B 10-TMB-100/O1STM25S-EEE - Housing



1460366

<https://www.phoenixcontact.com/us/products/1460366>

## Accessories

### HC-B-BF - Panel-mount flange

1604641

<https://www.phoenixcontact.com/us/products/1604641>



Panel mounting flange for HEAVYCON ADVANCE TMB housing with bayonet locking

---

### HC-B-BF-SET - Panel-mount flange

1604654

<https://www.phoenixcontact.com/us/products/1604654>



Bayonet mounting flange set, consisting of 2 mounting flanges with 4 self-tapping Torx® head screws and 4 fan-type spacers

# HC-B 10-TMB-100/O1STM25S-EEE - Housing

1460366

<https://www.phoenixcontact.com/us/products/1460366>



## HC-B 10-TMB-SD-IP65 - Protective cover

1690943

<https://www.phoenixcontact.com/us/products/1690943>



HEAVYCON ADVANCE IP65 protective cover B10, with bayonet locking, with retaining cord, diameter of retaining cord eyelet 3 mm

---

## G-INS-M25-M68N-PNES-GY - Cable gland

1411126

<https://www.phoenixcontact.com/us/products/1411126>



Cable gland, material for screw connection: PA, application: Standard, external cable diameter 11 mm ... 17 mm, shielding: no, connecting thread: M25 x 1.5, color: silver-grey RAL 7001

# HC-B 10-TMB-100/O1STM25S-EEE - Housing

1460366

<https://www.phoenixcontact.com/us/products/1460366>

## G-INS-M25-M68N-PNES-BK - Cable gland

1411134

<https://www.phoenixcontact.com/us/products/1411134>



Cable gland, material for screw connection: PA, application: Standard, external cable diameter 11 mm ... 17 mm, shielding: no, connecting thread: M25 x 1.5, color: jet black RAL 9005

---

## G-INS-M25-M68N-NNES-S - Cable gland

1411165

<https://www.phoenixcontact.com/us/products/1411165>



Cable gland, material for screw connection: Brass, nickel-plated, application: Standard, external cable diameter 11 mm ... 17 mm, shielding: no, connecting thread: M25 x 1.5, color: silver, with O-ring

# HC-B 10-TMB-100/O1STM25S-EEE - Housing

1460366

<https://www.phoenixcontact.com/us/products/1460366>



## HC-M-KV-M25(14-21) - Cable gland

1646007

<https://www.phoenixcontact.com/us/products/1646007>



Metal screw connection up to 5 bar, thread length: 7 mm, cable diameter: 14 - 21 mm, WAF 34, screw connection: M25

---

## G-INSEC-M25-S68N-NCRS-S - Cable gland

1411190

<https://www.phoenixcontact.com/us/products/1411190>



Cable gland, material for screw connection: Brass, nickel-plated, application: EMC, external cable diameter 11 mm ... 16 mm, shielding: yes, connecting thread: M25 x 1.5, color: silver, with O-ring

# HC-B 10-TMB-100/O1STM25S-EEE - Housing

1460366

<https://www.phoenixcontact.com/us/products/1460366>



## G-INESR-M25-M68N-NEPDS-S - Cable gland

1415193

<https://www.phoenixcontact.com/us/products/1415193>



Cable gland, material for screw connection: Brass, nickel-plated, application: Standard, external cable diameter 9 mm ... 17 mm, shielding: no, connecting thread: M25 x 1.5, color: silver, with external strain relief, with O-ring

---

## HC-M-KV-T-M25 - Cable gland

1646191

<https://www.phoenixcontact.com/us/products/1646191>



Metal screw connection with cable bend protection and strain relief, thread length: 7 mm, cable sealing area: 10 - 19 mm, clamping area: 14 - 21 mm, SW 30, screw connection: M25

# HC-B 10-TMB-100/O1STM25S-EEE - Housing



1460366

<https://www.phoenixcontact.com/us/products/1460366>

## REDUC-M-KV-M25/M20 - Reducing adapter

1647624

<https://www.phoenixcontact.com/us/products/1647624>

Reducing adapter, connecting thread: M25 x 1.5, color: silver, with O-ring



---

## ENLAR-M-KV-M25/M32 - Extension adapter

1647679

<https://www.phoenixcontact.com/us/products/1647679>

Extension adapter, connecting thread: M25 x 1.5, color: silver, with O-ring



# HC-B 10-TMB-100/O1STM25S-EEE - Housing



1460366

<https://www.phoenixcontact.com/us/products/1460366>

## HC-M-BS-M25 - Screw plug

1645859

<https://www.phoenixcontact.com/us/products/1645859>

Screw plug, material for screw connection: Brass, nickel-plated, connecting thread: M25 x 1.5, color: silver



---

## SF-BIT-HEXB 5-89 - Screw insert

1208911

<https://www.phoenixcontact.com/us/products/1208911>

Screw bit, hexagonal with ball head, E6.3-1/4" drive, size: Hex 5 x 89 mm, hardened, suitable for holder according to DIN 3126-F 6.3/ISO 1173



# HC-B 10-TMB-100/O1STM25S-EEE - Housing

1460366

<https://www.phoenixcontact.com/us/products/1460366>



## SF-M BH - Screwdriver

1212070

<https://www.phoenixcontact.com/us/products/1212070>



Bit screwdriver, with 1/4" quick-action chuck, handle length 119 mm, 2-component handle, with non-slip grip, suitable for bits according to DIN 3126-C 6.3 and E 6.3/ISO 1173, magnetic

---

Phoenix Contact 2024 © - all rights reserved

<https://www.phoenixcontact.com>

Phoenix Contact USA  
586 Fulling Mill Road  
Middletown, PA 17057, United States  
(+717) 944-1300  
[info@phoenixcon.com](mailto:info@phoenixcon.com)