

SACC-MINMR-5CON-PG 9 - Connector



1521504

<https://www.phoenixcontact.com/no/products/1521504>

Please be informed that the data shown in this PDF document is generated from our online catalog. Please find the complete data in the user documentation. Our general terms of use for downloads are valid.



Connector, Universal, 5-position, Plug angled 7/8"-16UNF, coding: A, Screw connection, knurl material: Zinc die-cast, nickel-plated, cable gland Pg9, external cable diameter 6 mm ... 8 mm, Contact 3 capacitive

Your advantages

- Safe use in the field, thanks to a high degree of protection
- Screw connection: proven connection technology for a large selection of different conductors

Commercial data

Item number	1521504
Packing unit	1 pc
Minimum order quantity	1 pc
Sales key	31BBFS
Product key	BF2FAA
Catalog page	Page 25 (C-2-2017)
GTIN	4017918949723
Weight per piece (including packing)	58.45 g
Weight per piece (excluding packing)	56.22 g
Customs tariff number	85366990
Country of origin	DE

SACC-MINMR-5CON-PG 9 - Connector



1521504

<https://www.phoenixcontact.com/no/products/1521504>

Technical data

Notes

General	NOTE: Observe the permissible bending radii when laying conductors, since the degree of protection may be put in jeopardy if the bending forces are too high. Alleviate mechanical loads upstream of the connector, e.g. by using cable ties.
---------	--

Mounting

Assembly instructions	The wires can be connected both with ferrules and without ferrules
	The connector pin assignment can be rotated 45° to the cable outlet

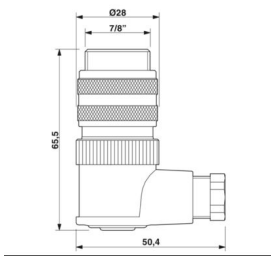
Product properties

Product type	Circular connector (cable-side)
Sensor type	Universal
Number of positions	5
No. of cable outlets	1
Shielded	no
Coding	A
Cable outlet	angled
Pg screw connection	Pg9

Insulation characteristics

Overvoltage category	III
Degree of pollution	3

Dimensions

Dimensional drawing	
Length	65.5 mm

External dimensions

Outside diameter	6 mm ... 8 mm
------------------	---------------

Housing

Diameter housing	28 mm
------------------	-------

Material specifications

SACC-MINMR-5CON-PG 9 - Connector



1521504

<https://www.phoenixcontact.com/no/products/1521504>

Flammability rating according to UL 94	HB
Material of grip body	PBT
Contact material	CuZn
Contact surface material	Au
Contact carrier material	PUR/PA 6.6
Material for screw connection	Zinc die-cast, nickel-plated

Connection data

Conductor connection

Connection method	Screw connection
Connection cross section	0.34 mm ² ... 1.5 mm ² (without ferrule)
	0.34 mm ² ... 1.5 mm ² (with ferrule)
	0.34 mm ² ... 1.5 mm ² (solid)
Connection cross section AWG	22 ... 16 (without ferrule)
	22 ... 16 (with ferrule)
Stripping length of the individual wire	7 mm
Tightening torque	0.8 Nm (7/8" connectors)
	0.4 Nm (Screw terminal blocks)
	0.8 Nm ... 1 Nm (Pressure screw)

Electrical properties

Rated surge voltage	4 kV
Contact resistance	≤ 5 mΩ
Insulation resistance	≥ 100 MΩ
Nominal voltage U _N	300 V AC
	300 V DC
Nominal current I _N	9 A

Mechanical properties

Mechanical data

Insertion/withdrawal cycles	≥ 100
-----------------------------	-------

Connector

Connection 1

Head design	Plug
Head cable outlet	angled
Head thread type	7/8"-16UNF
Coding	A

Cable/line

Signal type/category	Universal
Stripping length of the individual wire	7 mm

SACC-MINMR-5CON-PG 9 - Connector



1521504

<https://www.phoenixcontact.com/no/products/1521504>

Environmental and real-life conditions

Ambient conditions

Degree of protection	IP67
Ambient temperature (operation)	-25 °C ... 85 °C (Plug / socket)

SACC-MINMR-5CON-PG 9 - Connector

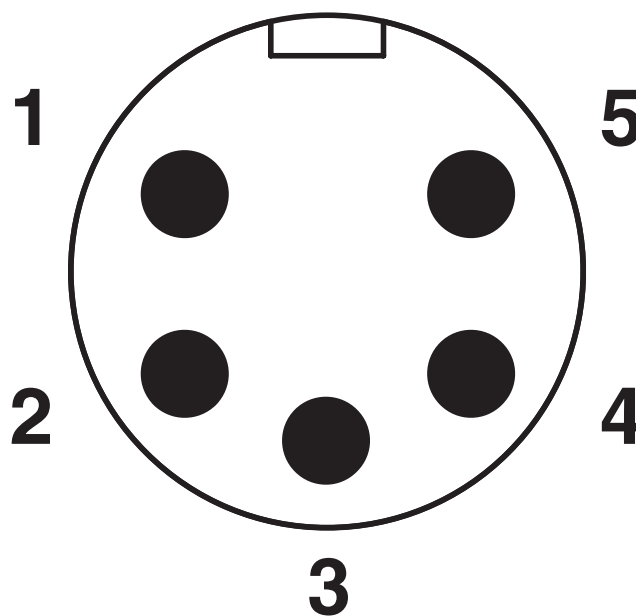


1521504

<https://www.phoenixcontact.com/no/products/1521504>

Drawings

Schematic diagram



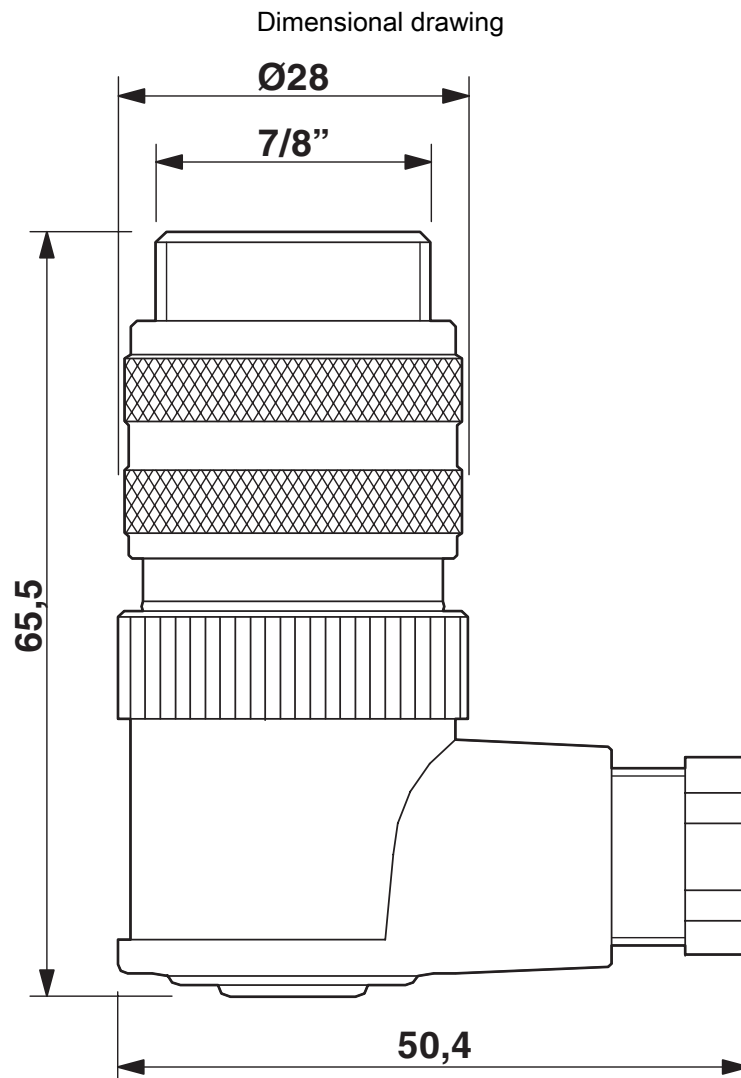
Pin assignment, plug, 7/8"-16UNF, 5-pos., view of male side

SACC-MINMR-5CON-PG 9 - Connector

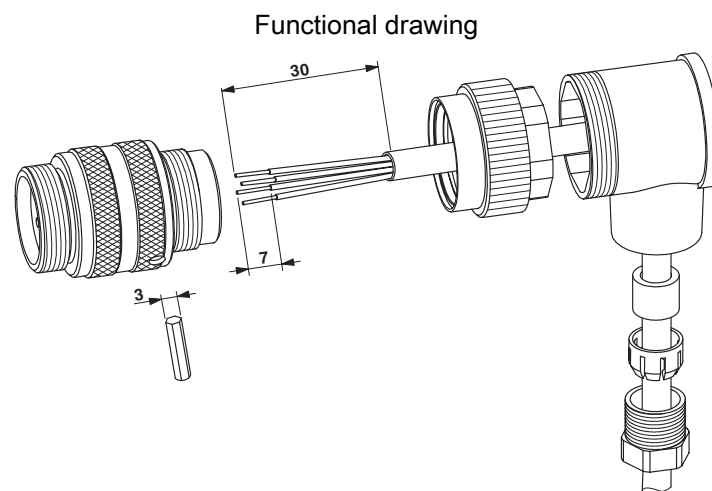


1521504

<https://www.phoenixcontact.com/no/products/1521504>



Male 7/8"-16UNF, angled, Pg9



SACC-MINMR-5CON-PG 9 - Connector





1521504


<https://www.phoenixcontact.com/no/products/1521504>

Approvals

To download certificates, visit the product detail page: <https://www.phoenixcontact.com/no/products/1521504>

 cUL Recognized Approval ID: FILE E 221474				
	Nominal voltage U_N	Nominal current I_N	Cross section AWG	Cross section mm^2
	600 V	9 A	-	-

 UL Recognized Approval ID: FILE E 221474				
	Nominal voltage U_N	Nominal current I_N	Cross section AWG	Cross section mm^2
	600 V	9 A	-	-

 EAC Approval ID: RU C-DE.BL08.B.00511	
--	--

cULus Recognized	
-------------------------	--

SACC-MINMR-5CON-PG 9 - Connector



1521504

<https://www.phoenixcontact.com/no/products/1521504>

Classifications

ECLASS

ECLASS-11.0	27440102
ECLASS-12.0	27440116
ECLASS-13.0	27440116

ETIM

ETIM 9.0	EC002635
----------	----------

UNSPSC

UNSPSC 21.0	39121400
-------------	----------

SACC-MINMR-5CON-PG 9 - Connector



1521504

<https://www.phoenixcontact.com/no/products/1521504>

Environmental product compliance

REACH SVHC	Lead 7439-92-1
China RoHS	Environmentally Friendly Use Period = 50 years
	For information on hazardous substances, refer to the manufacturer's declaration available under "Downloads"

Phoenix Contact 2024 © - all rights reserved

<https://www.phoenixcontact.com>

PHOENIX CONTACT AS

Strømsveien 344

N-1081 Oslo

+47 22 07 68 00

norge@phoenixcontact.com