

# SACC-MINFR-5CON-PG 9 - Connector



1521517

<https://www.phoenixcontact.com/no/products/1521517>

Please be informed that the data shown in this PDF document is generated from our online catalog. Please find the complete data in the user documentation. Our general terms of use for downloads are valid.



Connector, Universal, 5-position, Socket angled 7/8"-16UNF, coding: A, Screw connection, knurl material: Zinc die-cast, nickel-plated, cable gland Pg9, external cable diameter 6 mm ... 8 mm

## Your advantages

- Safe use in the field, thanks to a high degree of protection
- Screw connection: proven connection technology for a large selection of different conductors

## Commercial data

Item number	1521517
Packing unit	1 pc
Minimum order quantity	1 pc
Sales key	31BBFS
Product key	BF2FAA
Catalog page	Page 25 (C-2-2017)
GTIN	4017918949730
Weight per piece (including packing)	51.73 g
Weight per piece (excluding packing)	50.1 g
Customs tariff number	85366990
Country of origin	DE

# SACC-MINFR-5CON-PG 9 - Connector



1521517

<https://www.phoenixcontact.com/no/products/1521517>

## Technical data

### Notes

General	<b>NOTE:</b> Observe the permissible bending radii when laying conductors, since the degree of protection may be put in jeopardy if the bending forces are too high. Alleviate mechanical loads upstream of the connector, e.g. by using cable ties.
---------	--

### Mounting

Assembly instructions	The wires can be connected both with ferrules and without ferrules
	The connector pin assignment can be rotated 45° to the cable outlet

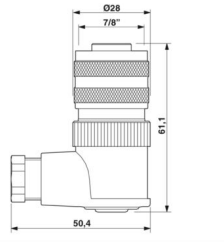
### Product properties

Product type	Circular connector (cable-side)
Sensor type	Universal
Number of positions	5
No. of cable outlets	1
Shielded	no
Coding	A
	A
Cable outlet	angled
Pg screw connection	Pg9

### Insulation characteristics

Overvoltage category	III
Degree of pollution	3

### Dimensions

Dimensional drawing	
Length	61.1 mm

### External dimensions

Outside diameter	6 mm ... 8 mm
------------------	---------------

### Housing

Diameter housing	28 mm
------------------	-------

# SACC-MINFR-5CON-PG 9 - Connector



1521517

<https://www.phoenixcontact.com/no/products/1521517>

## Material specifications

Flammability rating according to UL 94	HB
Material of grip body	PBT
Contact material	CuZn
Contact surface material	Au
Contact carrier material	PUR/PA 6.6
Material for screw connection	Zinc die-cast, nickel-plated

## Connection data

### Conductor connection

Connection method	Screw connection
Connection cross section	0.34 mm <sup>2</sup> ... 1.5 mm <sup>2</sup> (without ferrule)
	0.34 mm <sup>2</sup> ... 1.5 mm <sup>2</sup> (with ferrule)
	0.34 mm <sup>2</sup> ... 1.5 mm <sup>2</sup> (solid)
Connection cross section AWG	22 ... 16 (without ferrule)
	22 ... 16 (with ferrule)
Stripping length of the individual wire	7 mm
Tightening torque	0.8 Nm (7/8" connectors)
	0.4 Nm (Screw terminal blocks)
	0.8 Nm ... 1 Nm (Pressure screw)

## Electrical properties

Rated surge voltage	4 kV
Contact resistance	≤ 5 mΩ
Insulation resistance	≥ 100 MΩ
Nominal voltage U <sub>N</sub>	300 V AC
	300 V DC
Nominal current I <sub>N</sub>	9 A

## Mechanical properties

### Mechanical data

Insertion/withdrawal cycles	≥ 100
-----------------------------	-------

## Connector

### Connection 1

Head design	Socket
Head cable outlet	angled
Head thread type	7/8"-16UNF
Coding	A

## Cable/line

Signal type/category	Universal
----------------------	-----------

# SACC-MINFR-5CON-PG 9 - Connector



1521517

<https://www.phoenixcontact.com/no/products/1521517>

Stripping length of the individual wire	7 mm
---	------

## Environmental and real-life conditions

### Ambient conditions

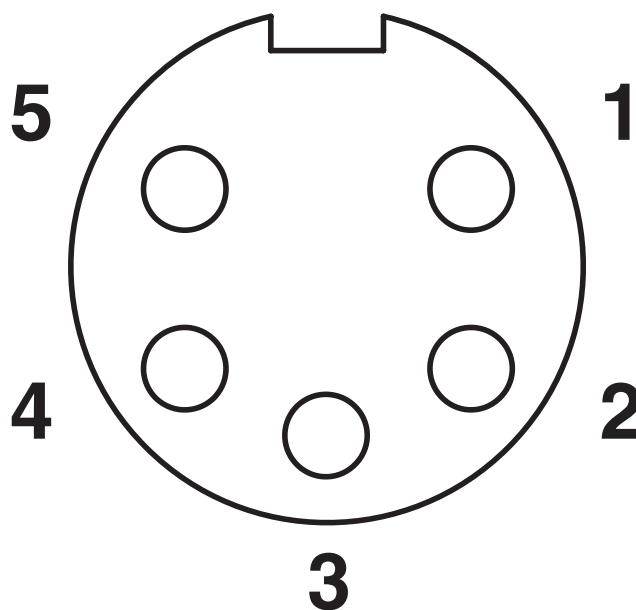
Degree of protection	IP67
Ambient temperature (operation)	-25 °C ... 85 °C (Plug / socket)

1521517

<https://www.phoenixcontact.com/no/products/1521517>

## Drawings

Schematic diagram



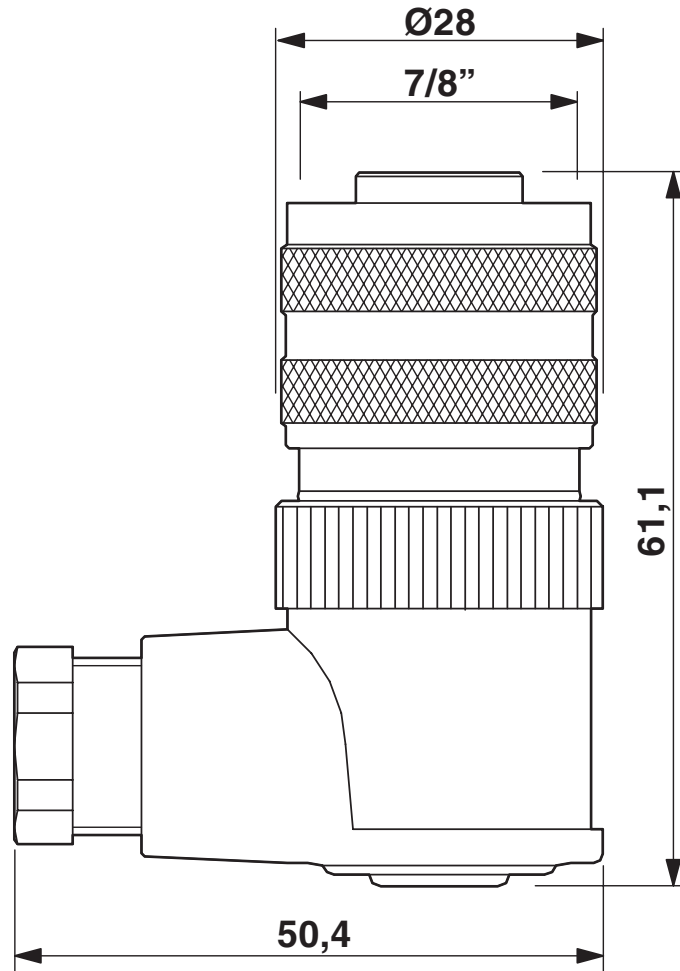
Pin assignment, socket, 7/8"-16UNF, 5-pos., view of female side

# SACC-MINFR-5CON-PG 9 - Connector

1521517

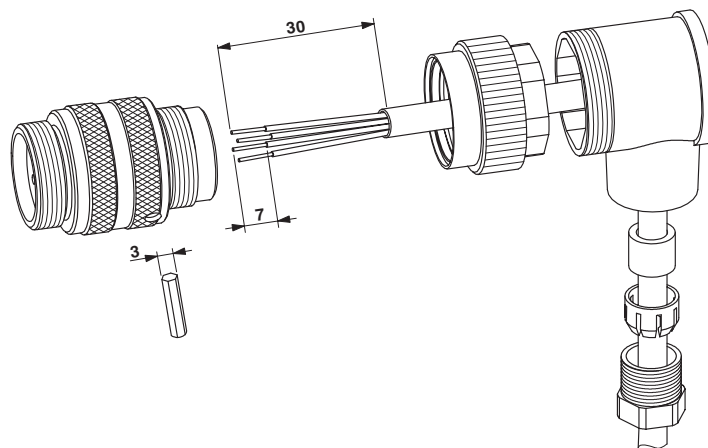
<https://www.phoenixcontact.com/no/products/1521517>

Dimensional drawing



Female 7/8"-16UNF, angled, Pg9

Functional drawing



# SACC-MINFR-5CON-PG 9 - Connector





1521517

<https://www.phoenixcontact.com/no/products/1521517>

## Approvals

To download certificates, visit the product detail page: <https://www.phoenixcontact.com/no/products/1521517>

 <b>cUL Recognized</b> Approval ID: FILE E 221474				
	Nominal voltage $U_N$	Nominal current $I_N$	Cross section AWG	Cross section $\text{mm}^2$
	600 V	9 A	-	-

 <b>UL Recognized</b> Approval ID: FILE E 221474				
	Nominal voltage $U_N$	Nominal current $I_N$	Cross section AWG	Cross section $\text{mm}^2$
	600 V	9 A	-	-

 <b>EAC</b> Approval ID: RU C-DE.BL08.B.00511	
--	--

<b>cULus Recognized</b>	
-------------------------	--

# SACC-MINFR-5CON-PG 9 - Connector



1521517

<https://www.phoenixcontact.com/no/products/1521517>

## Classifications

### ECLASS

ECLASS-11.0	27440102
ECLASS-12.0	27440116
ECLASS-13.0	27440116

### ETIM

ETIM 9.0	EC002635
----------	----------

### UNSPSC

UNSPSC 21.0	39121400
-------------	----------

# SACC-MINFR-5CON-PG 9 - Connector



1521517

<https://www.phoenixcontact.com/no/products/1521517>

## Environmental product compliance

REACH SVHC	Lead 7439-92-1
China RoHS	Environmentally Friendly Use Period = 50 years
	For information on hazardous substances, refer to the manufacturer's declaration available under "Downloads"

Phoenix Contact 2024 © - all rights reserved

<https://www.phoenixcontact.com>

PHOENIX CONTACT AS

Strømsveien 344

N-1081 Oslo

+47 22 07 68 00

[norge@phoenixcontact.com](mailto:norge@phoenixcontact.com)