

SAC-3P-MINMS/ 2,0-410 - Sensor/actuator cable



1532221

<https://www.phoenixcontact.com/us/products/1532221>

Please be informed that the data shown in this PDF document is generated from our online catalog. Please find the complete data in the user documentation. Our general terms of use for downloads are valid.



Sensor/actuator cable, 3-position, PVC, yellow, Plug straight 7/8"-16UNF, coding: A, on free cable end, cable length: 2 m

Your advantages

- Easy and safe: 100 % electrically tested plug-in components
- High-performance: connectors and cables with a large conductor cross section for power supply

Commercial data

Item number	1532221
Packing unit	1 pc
Note	Made to order (non-returnable)
Sales key	B22
Product key	BF1FBA
Catalog page	Page 102 (PC-2007)
GTIN	4046356025256
Weight per piece (including packing)	325.2 g
Weight per piece (excluding packing)	325.2 g
Customs tariff number	85444290
Country of origin	DE

SAC-3P-MINMS/ 2,0-410 - Sensor/actuator cable



1532221

<https://www.phoenixcontact.com/us/products/1532221>

Technical data

Product properties

Product type	Sensor/actuator cable
Application	Standard
Number of positions	3
No. of cable outlets	1
Shielded	no
Coding	A

Insulation characteristics

Overvoltage category	II
Degree of pollution	2

Material specifications

Flammability rating according to UL 94	HB
Material of grip body	PUR
Contact material	CuZn
Contact surface material	Au
Contact carrier material	PUR
Material for screw connection	Brass, nickel-plated

Electrical properties

Insulation resistance	$\geq 10 \text{ M}\Omega$
Nominal voltage U_N	600 V
Nominal current I_N	13 A
Test voltage	4000 V

Mechanical properties

Mechanical data

Insertion/withdrawal cycles	> 500
-----------------------------	-------

Signaling

Status display	No
Status display present	No

Connector

Connection 1

Type	Plug straight 7/8"-16UNF
Number of positions	3
Coding type	A

Connection 2

Type	free cable end
------	----------------

SAC-3P-MINMS/ 2,0-410 - Sensor/actuator cable



1532221

<https://www.phoenixcontact.com/us/products/1532221>

Cable/line

Cable length	2 m
PVC yellow U.S. color code [410]	
Number of positions	3
Shielded	no
Cable type	PVC yellow U.S. color code [410]
AWG signal line	16
Conductor cross section	1.5 mm ²
External cable diameter	10.24 mm
Outer sheath, material	PVC
External sheath, color	yellow
Material wire insulation	PVC
Single wire, color	green, black, white
Ambient temperature (operation)	-30 °C ... 105 °C (cable, fixed installation)

Environmental and real-life conditions

Ambient conditions

Degree of protection	IP65
	IP67
	IP68
Ambient temperature (operation)	-25 °C ... 80 °C (Plug / socket)
	-20 °C ... 105 °C (cable, fixed installation)
	-20 °C ... 105 °C (Cable, flexible installation)

SAC-3P-MINMS/ 2,0-410 - Sensor/actuator cable

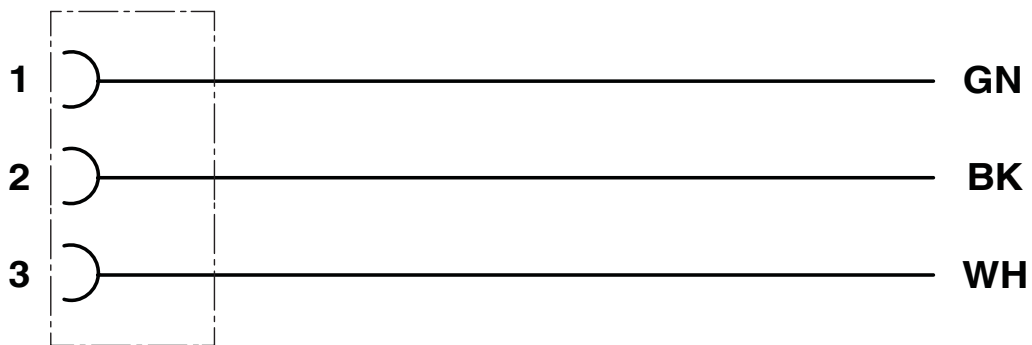


1532221

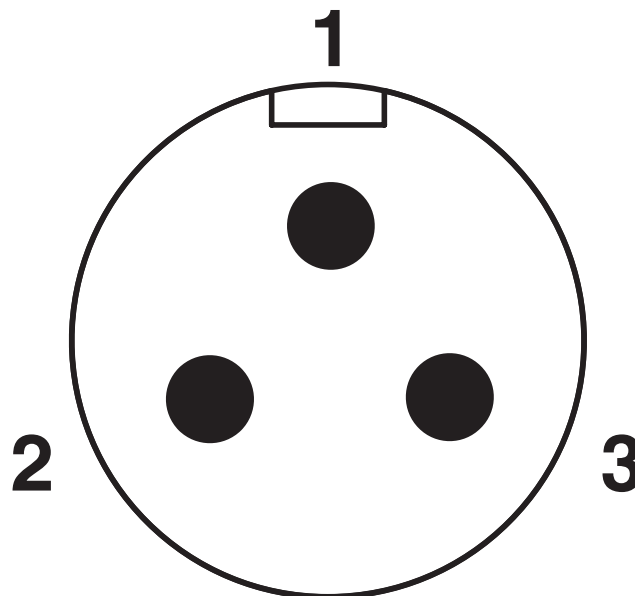
<https://www.phoenixcontact.com/us/products/1532221>

Drawings

Circuit diagram



Schematic diagram



Pin assignment, plug, 7/8"-16UNF, 3-pos., view of male side

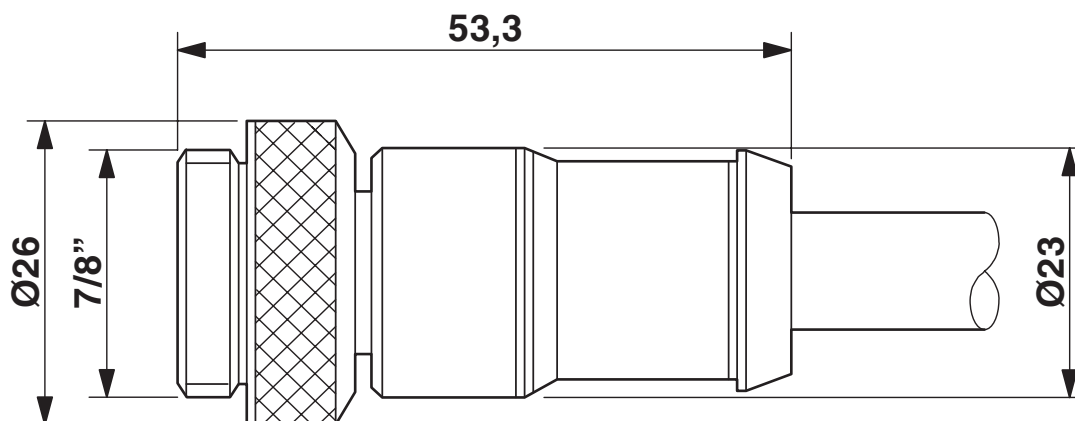
SAC-3P-MINMS/ 2,0-410 - Sensor/actuator cable



1532221

<https://www.phoenixcontact.com/us/products/1532221>

Dimensional drawing



7/8"-16UNF plug, straight

SAC-3P-MINMS/ 2,0-410 - Sensor/actuator cable



1532221

<https://www.phoenixcontact.com/us/products/1532221>

Classifications

ECLASS

ECLASS-11.0	27060311
ECLASS-13.0	27060311

SAC-3P-MINMS/ 2,0-410 - Sensor/actuator cable



1532221

<https://www.phoenixcontact.com/us/products/1532221>

Environmental product compliance

China RoHS

Environment friendly use period (EFUP)	EFUP-50
	An article-related China RoHS declaration table can be found in the download area for the respective article under "Manufacturer declaration". For all articles with EFUP-E, no China RoHS declaration table issued and required.

EU REACH SVHC

REACH candidate substance (CAS No.)	No substance above 0.1 wt%
-------------------------------------	----------------------------

SAC-3P-MINMS/ 2,0-410 - Sensor/actuator cable



1532221

<https://www.phoenixcontact.com/us/products/1532221>

Accessories

PROT-MINFS-PA-CHAIN - Sealing cap

1430912

<https://www.phoenixcontact.com/us/products/1430912>

7/8" sealing cap made of plastic with fixing band, for sensor cables, for 7/8" connectors



UCT-WMT (23X4) - Conductor marker

0801453

<https://www.phoenixcontact.com/us/products/0801453>

Conductor marker, Sheet, white, unlabeled, can be labeled with: TOPMARK NEO, TOPMARK LASER, BLUEMARK ID COLOR, BLUEMARK ID, BLUEMARK CLED, THERMOMARK PRIME, THERMOMARK CARD 2.0, THERMOMARK CARD, mounting type: insert, cable diameter range: 1.5 ... 35 mm, lettering field size: 23 x 4 mm, Number of individual labels: 30



SAC-3P-MINMS/ 2,0-410 - Sensor/actuator cable



1532221

<https://www.phoenixcontact.com/us/products/1532221>

UC-WMT (23X4) - Conductor marker

0819411

<https://www.phoenixcontact.com/us/products/0819411>



Conductor marker, Sheet, white, unlabeled, can be labeled with: BLUEMARK ID COLOR, BLUEMARK ID, BLUEMARK CLED, PLOTMARK, CMS-P1-PLOTTER, mounting type: insert, cable diameter range: 1.5 ... 35 mm, lettering field size: 23 x 4 mm, Number of individual labels: 24

US-WMT (23X4) - Cable marker

0828769

<https://www.phoenixcontact.com/us/products/0828769>



Cable marker, Card, white, unlabeled, can be labeled with: BLUEMARK ID COLOR, BLUEMARK ID, THERMOMARK PRIME, THERMOMARK CARD 2.0, THERMOMARK CARD, mounting type: slide-on, cable diameter range: 1.5 ... 35 mm, lettering field size: 23 x 4 mm, Number of individual labels: 56

SAC-3P-MINMS/ 2,0-410 - Sensor/actuator cable



1532221

<https://www.phoenixcontact.com/us/products/1532221>

WMTW (23X4)R - Cable marker

0831004

<https://www.phoenixcontact.com/us/products/0831004>



Cable marker, Roll, white, unlabeled, can be labeled with: THERMOMARK E.300 (D)/600 (D), THERMOMARK ROLL 2.0, THERMOMARK ROLL, THERMOMARK ROLL X1, THERMOMARK ROLLMASTER 300/600, THERMOMARK X1.2, mounting type: insert, cable diameter range: 1.5 ... 35 mm, lettering field size: 23 x 4 mm, Number of individual labels: 3000

WP-CTA POM 13,0 BK - Protective hose adapter

1422884

<https://www.phoenixcontact.com/us/products/1422884>



Protective hose adapter, for corrugated hoses with a nominal size of 13 (10 x 13), corrugated in parallel

SAC-3P-MINMS/ 2,0-410 - Sensor/actuator cable



1532221

<https://www.phoenixcontact.com/us/products/1532221>

WP-PA HF 13,0 BK - Protective hose

3240681

<https://www.phoenixcontact.com/us/products/3240681>



Protective hose, material: PA 6, UV-resistant: yes, flexible, degree of protection: IP68, color: black, flammability rating in acc. with UL 94: V0, inner diameter: 10 mm, Total length: 50 m

WP-PA HF-HB 13,0 BK - Protective hose

3240839

<https://www.phoenixcontact.com/us/products/3240839>



Protective hose, material: PA 6, UV-resistant: yes, flexible, degree of protection: IP68, color: black, flammability rating in acc. with UL 94: HB, inner diameter: 10 mm, Total length: 50 m

SAC-3P-MINMS/ 2,0-410 - Sensor/actuator cable



1532221

<https://www.phoenixcontact.com/us/products/1532221>

B-STIFT - Marker pen

1051993

<https://www.phoenixcontact.com/us/products/1051993>



Marker pen, for manual labeling of unprinted Zack strips, smear-proof and waterproof, line thickness 0.5 mm

CUTFOX-S VDE - Diagonal cutter

1212207

<https://www.phoenixcontact.com/us/products/1212207>



Diagonal cutter for hard (piano wire) and soft wires, VDE 1000 V AC/1500 V DC tested

SAC-3P-MINMS/ 2,0-410 - Sensor/actuator cable



1532221

<https://www.phoenixcontact.com/us/products/1532221>

WIREFOX SAC-1 - Stripping tool

1212757

<https://www.phoenixcontact.com/us/products/1212757>



Stripping pliers, for halogen-free sensor/actuator cables (SAC cables), with PUR and PVC insulation, from Ø of 3.2 to 4.4 mm, any stripping length

WIREFOX SAC - Stripping tool

1212623

<https://www.phoenixcontact.com/us/products/1212623>



Stripping pliers, for halogen-free sensor/actuator cables (SAC cables), with PUR and PVC insulation, from Ø of 4.4 to 7 mm, any stripping length

SAC-3P-MINMS/ 2,0-410 - Sensor/actuator cable



1532221

<https://www.phoenixcontact.com/us/products/1532221>

WIREFOX 10 - Stripping tool

1212150

<https://www.phoenixcontact.com/us/products/1212150>



Stripping tool, for cables and conductors from 0.02 - 10 mm², self-adjusting, stripping length of up to 18 mm, cutting capacity of up to 10 mm² stranded/1.5 mm² solid, replaceable stripping blade

TSD 08 SAC - Torque screwdriver

1212597

<https://www.phoenixcontact.com/us/products/1212597>



Torque screw driver with preset torque of 0.8 Nm, with 4 mm hexagon for accommodating SAC bits, two-component handle with non-slip grip

SAC-3P-MINMS/ 2,0-410 - Sensor/actuator cable



1532221

<https://www.phoenixcontact.com/us/products/1532221>

TSD-M 1,2NM - Torque screwdriver

1212224

<https://www.phoenixcontact.com/us/products/1212224>



Torque screw driver, accuracy as per EN ISO 6789 standard, adjustable from 0.3 - 1.2 Nm

TSD-M SAC-BIT ADAPTER - Adapter insert

1212600

<https://www.phoenixcontact.com/us/products/1212600>



Adapter bit for TSD-M...torque tools, E6.3-1/4" drive with 4 mm hexagon to accommodate SAC bits

SAC-3P-MINMS/ 2,0-410 - Sensor/actuator cable

1532221

<https://www.phoenixcontact.com/us/products/1532221>



SAC BIT MIN-D25 - Tool

1212512

<https://www.phoenixcontact.com/us/products/1212512>

Nut for assembling 7/8" connectors with a knurl diameter of 25 mm, with 4 mm hexagonal drive



Phoenix Contact 2024 © - all rights reserved

<https://www.phoenixcontact.com>

Phoenix Contact USA
586 Fulling Mill Road
Middletown, PA 17057, United States
(+717) 944-1300
info@phoenixcon.com