

# HC-B 32-TMS-100-O1STM40S-EEE - Housing



1580519

<https://www.phoenixcontact.com/us/products/1580519>

Please be informed that the data shown in this PDF document is generated from our online catalog. Please find the complete data in the user documentation. Our general terms of use for downloads are valid.



HEAVYCON-ADVANCE sleeve housing B32, for increased environmental requirements, EMC-conductive, with Allen wrench screw locking, with 1x M40x1.5 lateral cable outlet

## Commercial data

Item number	1580519
Packing unit	1 pc
Note	Made to order (non-returnable)
Sales key	BF58
Product key	BF7AAA
Catalog page	Page 618 (C-4-2015)
GTIN	4046356463157
Weight per piece (including packing)	697.4 g
Weight per piece (excluding packing)	697.4 g
Customs tariff number	85389099
Country of origin	DE

1580519

<https://www.phoenixcontact.com/us/products/1580519>

## Technical data

### Notes

General	For contact inserts HC-B16, BB32, D40, DD72, HS6, HV6, M, K
---------	---

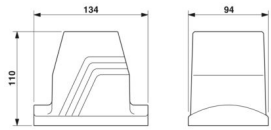
### Product properties

Product type	Housing with screw locking
Housing type	Sleeve housing
Application	Offshore/EMC
Type	B32
No. of cable outlets	1
Type of the screw connection	1x M40
Fixing screws	M6 (screw head: 5 mm Allen screw)
Shielded	yes
Cable outlet	lateral
Pg screw connection	none

### Connection data

Tightening torque	3 Nm (Locking screw)
-------------------	----------------------

### Dimensions

Dimensional drawing	
Width	94 mm
Height	110 mm
Length	126 mm

### Installation dimensions

Width of the assembly cutout	71 mm
Length of the assembly cutout	86 mm

### Material specifications

Seal material	NBR, conductive
Housing material	Die-cast aluminum, salt water resistant
Housing surface material	uncoated
Locking latch material	Stainless steel

### Environmental and real-life conditions

#### Ambient conditions

Degree of protection	IP66
	IP68 (0.2 bar/24 h)

# HC-B 32-TMS-100-O1STM40S-EEE - Housing



1580519

<https://www.phoenixcontact.com/us/products/1580519>

	IP69K
Enclosure rating (NEMA)	4 (NEMA 250)
	4X (NEMA 250)
	6P (NEMA 250)
	12 (NEMA 250)
Ambient temperature (operation)	-40 °C ... 125 °C

## Mechanical properties

### Mechanical data

Type of the screw connection	1x M40
Locking type	Screw

## Mounting

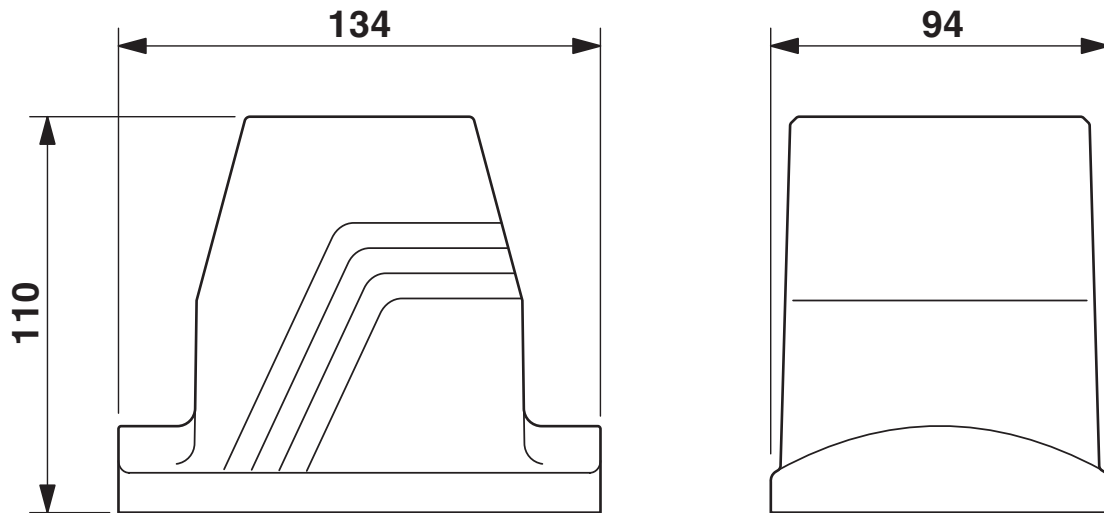
Assembly note	In order to guarantee that the protective conductor contact functions even when plugged in at an angle, the two panel-mount flanges must have sufficient electrical contact with the metal mounting panel.
	To ensure optimum shielding, any insulating power coating must be removed from the profile gasket area on the control cabinet panel. Tightening torque of locking screw: 3 Nm.
Fixing screws	M6 (screw head: 5 mm Allen screw)

1580519

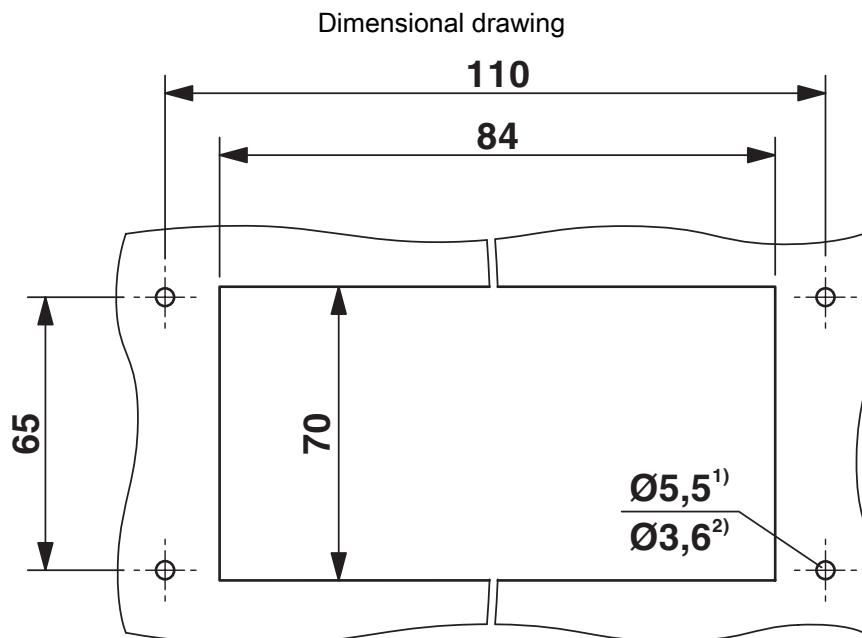
<https://www.phoenixcontact.com/us/products/1580519>

## Drawings

Dimensional drawing



Dimensional drawing



### Mounting cutout

- 1) Standard M5 screw
- 2) Self-tapping (Torx® 20, M4)

# HC-B 32-TMS-100-O1STM40S-EEE - Housing



1580519

<https://www.phoenixcontact.com/us/products/1580519>

## Classifications

### ECLASS

ECLASS-11.0	27440202
ECLASS-13.0	27440202

# HC-B 32-TMS-100-O1STM40S-EEE - Housing



1580519

<https://www.phoenixcontact.com/us/products/1580519>

## Environmental product compliance

EU REACH SVHC

REACH candidate substance (CAS No.)	No substance above 0.1 wt%
-------------------------------------	----------------------------

# HC-B 32-TMS-100-O1STM40S-EEE - Housing



1580519

<https://www.phoenixcontact.com/us/products/1580519>

## Accessories

### HC-B 32/48-AF - Panel-mount flange

1580524

<https://www.phoenixcontact.com/us/products/1580524>



HEAVYCON-ADVANCE mounting flange for screw locking HC B 32/48

---

### HC-B 32-TMS-SD-IP65 - Protective cover

1580539

<https://www.phoenixcontact.com/us/products/1580539>



HEAVYCON ADVANCE B32 IP65 protective cover, for panel mounting side, screw locking with 2 Allen screws, with seal, 3 mm retaining cord eyelet

# HC-B 32-TMS-100-O1STM40S-EEE - Housing

1580519

<https://www.phoenixcontact.com/us/products/1580519>



## G-INS-M40-M68N-PNES-GY - Cable gland

1411128

<https://www.phoenixcontact.com/us/products/1411128>



Cable gland, material for screw connection: PA, application: Standard, external cable diameter 19 mm ... 28 mm, shielding: no, connecting thread: M40 x 1.5, color: silver-grey RAL 7001

---

## G-INS-M40-M68N-PNES-BK - Cable gland

1411137

<https://www.phoenixcontact.com/us/products/1411137>



Cable gland, material for screw connection: PA, application: Standard, external cable diameter 19 mm ... 28 mm, shielding: no, connecting thread: M40 x 1.5, color: jet black RAL 9005



# HC-B 32-TMS-100-O1STM40S-EEE - Housing

1580519

<https://www.phoenixcontact.com/us/products/1580519>



## G-INS-M40-M68N-NNES-S - Cable gland

1411167

<https://www.phoenixcontact.com/us/products/1411167>



Cable gland, material for screw connection: Brass, nickel-plated, application: Standard, external cable diameter 19 mm ... 28 mm, shielding: no, connecting thread: M40 x 1.5, color: silver, with O-ring

---

## HC-M-KV-M40(27-34) - Cable gland

1607729

<https://www.phoenixcontact.com/us/products/1607729>



Metal screw connection up to 5 bar, thread length: 8 mm, cable diameter: 27 ... 34 mm, WAF 50, screw connection: M40

# HC-B 32-TMS-100-O1STM40S-EEE - Housing

1580519

<https://www.phoenixcontact.com/us/products/1580519>



## G-INSEC-M40-M68N-NCRS-S - Cable gland

1411192

<https://www.phoenixcontact.com/us/products/1411192>



Cable gland, material for screw connection: Brass, nickel-plated, application: EMC, external cable diameter 19 mm ... 27 mm, shielding: yes, connecting thread: M40 x 1.5, color: silver, with O-ring

---

## HC-M-KV-Z-M40 - Cable gland

1646175

<https://www.phoenixcontact.com/us/products/1646175>



Metal screw connection with strain relief clamp, thread length: 8 mm, cable sealing area: 24 - 33 mm, clamping area: 26 - 36 mm, SW 50, screw connection: M40

# HC-B 32-TMS-100-O1STM40S-EEE - Housing



1580519

<https://www.phoenixcontact.com/us/products/1580519>

## REDUC-M-KV-M40/M32 - Reducing adapter

1647640

<https://www.phoenixcontact.com/us/products/1647640>

Reducing adapter, connecting thread: M40 x 1.5, color: silver, with O-ring



---

## HC-M-BS-M40 - Screw plug

1645875

<https://www.phoenixcontact.com/us/products/1645875>

Screw plug, material for screw connection: Brass, nickel-plated, connecting thread: M40 x 1.5, color: silver



# HC-B 32-TMS-100-O1STM40S-EEE - Housing

1580519

<https://www.phoenixcontact.com/us/products/1580519>



## HC-B 32-TMS-EEE-PR-DI - Profile gasket

1409833

<https://www.phoenixcontact.com/us/products/1409833>

Profile gasket for sleeve housing type B32.....EEE



---

## SF-BIT-HEXB 5-89 - Screw insert

1208911

<https://www.phoenixcontact.com/us/products/1208911>

Screw bit, hexagonal with ball head, E6.3-1/4" drive, size: Hex 5 x 89 mm, hardened, suitable for holder according to DIN 3126-F 6.3/ISO 1173



# HC-B 32-TMS-100-O1STM40S-EEE - Housing

1580519

<https://www.phoenixcontact.com/us/products/1580519>



## SF-M BH - Screwdriver

1212070

<https://www.phoenixcontact.com/us/products/1212070>



Bit screwdriver, with 1/4" quick-action chuck, handle length 119 mm, 2-component handle, with non-slip grip, suitable for bits according to DIN 3126-C 6.3 and E 6.3/ISO 1173, magnetic

---

Phoenix Contact 2024 © - all rights reserved

<https://www.phoenixcontact.com>

Phoenix Contact USA  
586 Fulling Mill Road  
Middletown, PA 17057, United States  
(+717) 944-1300  
[info@phoenixcon.com](mailto:info@phoenixcon.com)