

HC-B 16-SD-MLT/FS-AL - Protective cover



1584525

<https://www.phoenixcontact.com/pc/products/1584525>

Please be informed that the data shown in this PDF document is generated from our online catalog. Please find the complete data in the user documentation. Our general terms of use for downloads are valid.

Protective cover B16, with single locking latch, protective cover material: Al, height: 20 mm, seal: yes, with lanyard



Commercial data

Item number	1584525
Packing unit	10 pc
Minimum order quantity	1 pc
Product key	BF7AZC
Catalog page	Page 654 (C-2-2019)
GTIN	4046356145190
Weight per piece (including packing)	112.7 g
Weight per piece (excluding packing)	112.7 g
Customs tariff number	85389099
Country of origin	DE

HC-B 16-SD-MLT/FS-AL - Protective cover



1584525

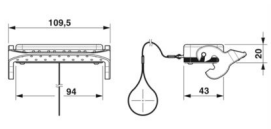
<https://www.phoenixcontact.com/pc/products/1584525>

Technical data

Product properties

Product type	Protective cover
Type	B16
Type	for sleeve housing without single locking latch
Retaining cord present	yes
Housing type	Protective cover
Seal present	yes

Dimensions

Dimensional drawing	
Width	43 mm
Height	20 mm
Length	94 mm
Diameter	30 mm

Material specifications

Material Protective cover	die-cast aluminum
Seal material	NBR
Housing surface material	Powder-coated, gray
Material, protective cover	Al
Locking latch material	High-grade steel, handle: PA-GF

Mechanical properties

Mechanical data

Locking type	Latch
--------------	-------

Environmental and real-life conditions

Ambient conditions

Degree of protection	IP66
Ambient temperature (operation)	-40 °C ... 125 °C

Mounting

Assembly instructions	The guide pins of the protective cover must be removed when using coding sockets, pins, and bolts.
-----------------------	--

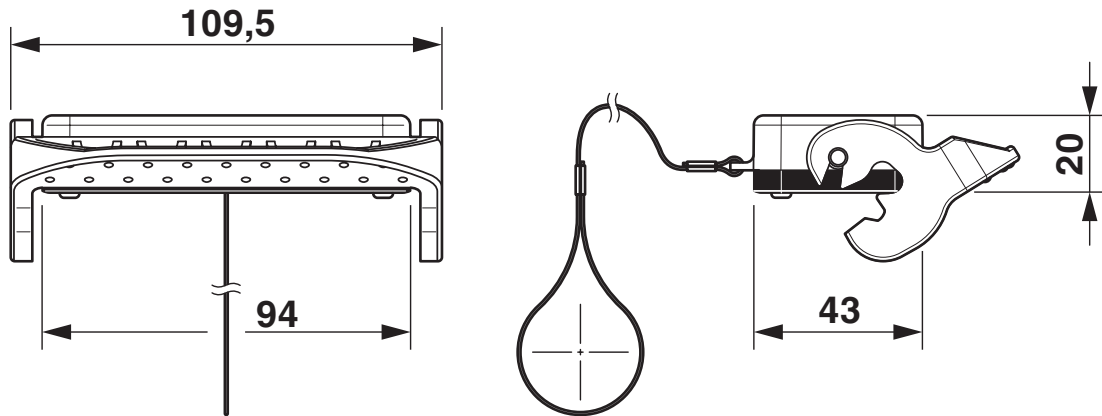
HC-B 16-SD-MLT/FS-AL - Protective cover

1584525

<https://www.phoenixcontact.com/pc/products/1584525>

Drawings

Dimensional drawing



Dimensional drawing

HC-B 16-SD-MLT/FS-AL - Protective cover



1584525

<https://www.phoenixcontact.com/pc/products/1584525>

Classifications

ECLASS

ECLASS-11.0	27440208
ECLASS-13.0	27440208

ETIM

ETIM 8.0	EC002314
----------	----------

UNSPSC

UNSPSC 21.0	39121400
-------------	----------

HC-B 16-SD-MLT/FS-AL - Protective cover



1584525

<https://www.phoenixcontact.com/pc/products/1584525>

Environmental product compliance

China RoHS	Environmentally friendly use period: unlimited = EFUP-e
	No hazardous substances above threshold values

Phoenix Contact 2024 © - all rights reserved
<https://www.phoenixcontact.com>

PHOENIX CONTACT GmbH & Co. KG
Flachmarktstraße 8
D-32825 Blomberg
+49 (0) 5235-3 00
info@phoenixcontact.com