

# Q 1,5/4A50/24-M20KU-ESA-BK - Panel feed-through



1585045

<https://www.phoenixcontact.com/us/products/1585045>

Please be informed that the data shown in this PDF document is generated from our online catalog. Please find the complete data in the user documentation. Our general terms of use for downloads are valid.



Panel feed-through, with wire output 1.5 mm<sup>2</sup> and 0.5 m litz wire: connecting thread: M20x1.5, 4-pos., black

## Your advantages

- Innovative and time saving - QUICKON fast connection for time saving of up to 80 % for on-site connection
- Robust throughout: housing with IP65/IP67 protection for a wide range of applications
- Safer connection with mechanical coding to protect against mismatching, and touch-proof protection in accordance with DIN EN 0105
- Efficient - by using panel feed-throughs, devices no longer need to be opened in order to connect cables

## Commercial data

Item number	1585045
Packing unit	10 pc
Minimum order quantity	10 pc
Sales key	BF50
Product key	BF6HAB
Catalog page	Page 476 (C-2-2019)
GTIN	4046356167703
Weight per piece (including packing)	61.72 g
Weight per piece (excluding packing)	50.52 g
Customs tariff number	85444290
Country of origin	PL

# Q 1,5/4A50/24-M20KU-ESA-BK - Panel feed-through



1585045

<https://www.phoenixcontact.com/us/products/1585045>

## Technical data

### Product properties

Product type	Panel feed-through
Number of positions	4
Position marking	1, 2, 3, 4
Number of connections	4

### Insulation characteristics

Overvoltage category	III
Degree of pollution	3

### Connection data

#### Connection technology

Connection method On the device side	Single wires (50 cm long; 1.5 mm <sup>2</sup> )
Frequency of connections between conductors of the same cross section	max. 10 (if the conductor is connected more than once, seal and cap may need to be replaced.)

#### Conductor connection

Conductor cross section flexibel	0.75 mm <sup>2</sup> ... 1.5 mm <sup>2</sup>
Conductor cross section solid	0.75 mm <sup>2</sup> ... 1 mm <sup>2</sup>
Connection cross section AWG	18 ... 16
Tightening torque Union nut	3 Nm
Tightening torque Contact carrier	4.5 Nm
Tightening torque Locking nut	4.5 Nm
Wrench size Union nut	19 mm
Wrench size Contact carrier	24 mm

#### Pin assignment

Contact   Color (signal designation)   Contact (optional)	1   BN
	2   WH
	3   BU
	4   BK

### Dimensions

Dimensional drawing	
Width	24 mm
Height	24 mm
Length	55.9 mm

### Electrical properties

# Q 1,5/4A50/24-M20KU-ESA-BK - Panel feed-through



1585045

<https://www.phoenixcontact.com/us/products/1585045>

Rated surge voltage (II/2)	6 kV
Rated surge voltage (III/2)	6 kV
Rated surge voltage (III/3)	6 kV
Rated current	15 A
Contact resistance	< 3 mΩ
rated voltage (II/2)	1000 V (with insulating sleeve)
rated voltage (III/2)	800 V (with insulating sleeve)
Rated voltage (III/3)	500 V
Nominal voltage $U_N$	500 V AC
	500 V DC
Nominal current $I_N$	15 A

## Material specifications

Color	black (RAL 9005)
Material Housing	PA
Material Contact	CuZn
Material Contact surface	tin-plated
Flammability rating according to UL 94	V0
Material wire insulation	PVC / PE

## Cable/line

Cable length	0.5 m
Structure of individual litz in acc. with VDE 0295 / smallest wire diameter	VDE 0295 class 1 to 6/min. 0.15 mm
External cable diameter	6 mm ... 12 mm
Wire diameter including insulation	1.8 mm ... 3 mm
Position marking	1, 2, 3, 4
Material wire insulation	PVC / PE

## Mounting

Mounting type	Front mounting M20
Assembly instructions	If the conductor is reconnected, it must be cut off above the last contact point. QUICKON components may only be operated when under no load.

## Environmental and real-life conditions

### Ambient conditions

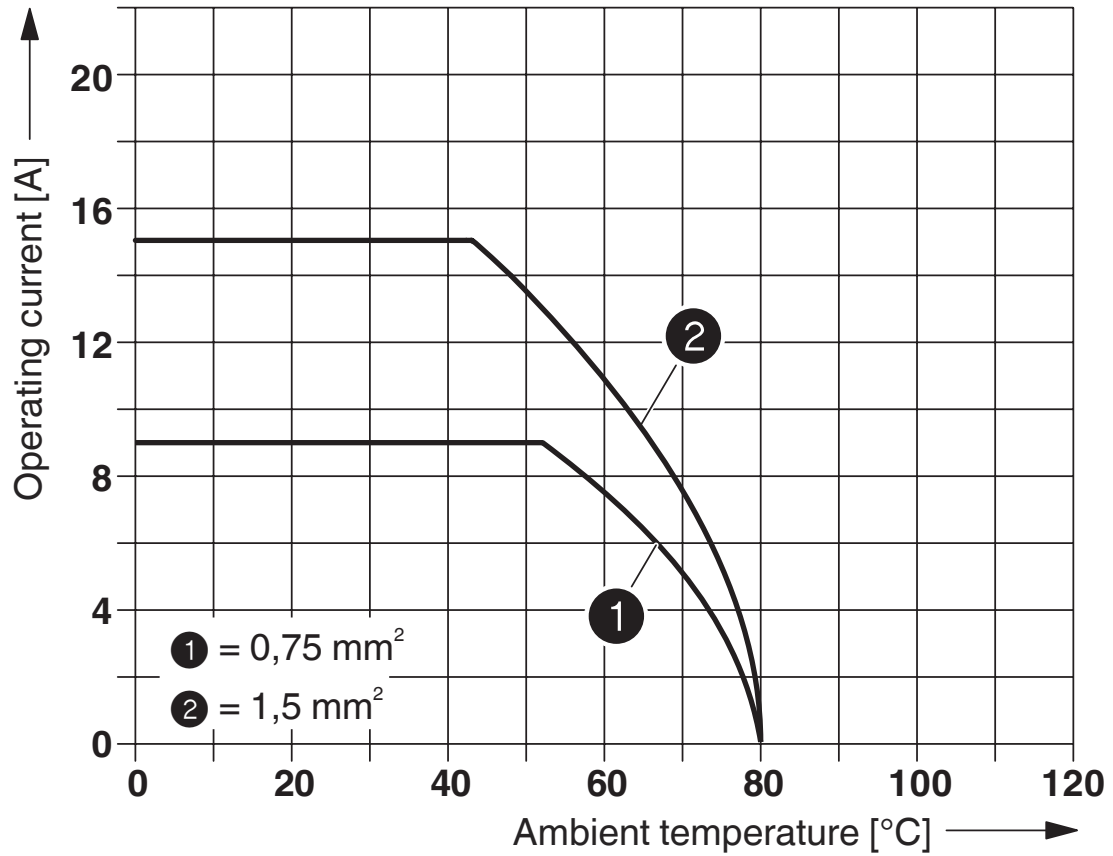
Degree of protection	IP65
	IP67
Ambient temperature (operation)	-40 °C ... 80 °C
	-25 °C ... 50 °C
Temperature when conductor connected	-5 °C ... 50 °C

1585045

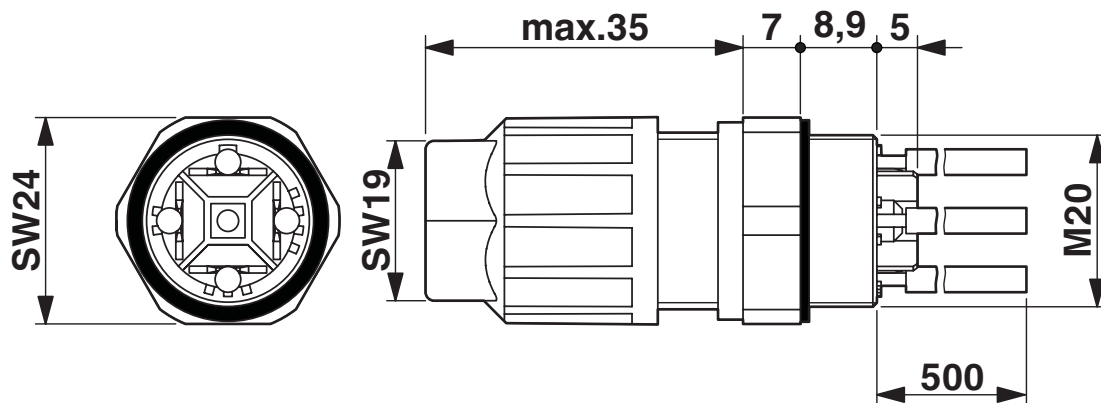
<https://www.phoenixcontact.com/us/products/1585045>

Drawings

Diagram



Dimensional drawing



# Q 1,5/4A50/24-M20KU-ESA-BK - Panel feed-through





1585045

<https://www.phoenixcontact.com/us/products/1585045>


## Approvals


To download certificates, visit the product detail page: <https://www.phoenixcontact.com/us/products/1585045>

 <b>cUL Recognized</b> Approval ID: FILE E 118976				
	Nominal voltage $U_N$	Nominal current $I_N$	Cross section AWG	Cross section $mm^2$
	250 V	11 A	-	-

 <b>UL Recognized</b> Approval ID: FILE E 118976				
	Nominal voltage $U_N$	Nominal current $I_N$	Cross section AWG	Cross section $mm^2$
	250 V	15 A	-	-

 <b>EAC</b> Approval ID: RU C-DE.A*30.B.01102	
--	--

 <b>EAC</b> Approval ID: RU C-DE.BL08.B.00511	
---	--

 <b>VDE Zeichengenehmigung</b> Approval ID: 40032336				
	Nominal voltage $U_N$	Nominal current $I_N$	Cross section AWG	Cross section $mm^2$
	500 V	-	-	0.75 - 1.5

<b>cULus Recognized</b>				
-------------------------	--	--	--	--

# Q 1,5/4A50/24-M20KU-ESA-BK - Panel feed-through



1585045

<https://www.phoenixcontact.com/us/products/1585045>

## Classifications

### ECLASS

ECLASS-11.0	27440602
ECLASS-13.0	27440602
ECLASS-12.0	27440602

### ETIM

ETIM 9.0	EC002566
----------	----------

### UNSPSC

UNSPSC 21.0	39121500
-------------	----------

# Q 1,5/4A50/24-M20KU-ESA-BK - Panel feed-through



1585045

<https://www.phoenixcontact.com/us/products/1585045>

## Environmental product compliance

### EU RoHS

Fulfills EU RoHS substance requirements	Yes, No exemptions
---	--------------------

### China RoHS

Environment friendly use period (EFUP)	EFUP-E
	No hazardous substances above the limits

### EU REACH SVHC

REACH candidate substance (CAS No.)	No substance above 0.1 wt%
-------------------------------------	----------------------------

# Q 1,5/4A50/24-M20KU-ESA-BK - Panel feed-through



1585045

<https://www.phoenixcontact.com/us/products/1585045>

## Accessories

### Q-MU M20 - Nut

1640702

<https://www.phoenixcontact.com/us/products/1640702>

Nut (plastic) to lock the contact carrier from the inside of the device



---

### SEALING PLUG 12X22 RD - Closing cap

1400260

<https://www.phoenixcontact.com/us/products/1400260>

Closing cap, color: red



# Q 1,5/4A50/24-M20KU-ESA-BK - Panel feed-through



1585045

<https://www.phoenixcontact.com/us/products/1585045>

## PT/FS 4,8 - Insulating sleeve

1670497

<https://www.phoenixcontact.com/us/products/1670497>



Insulating sleeve, as touch protection, for 4.8 mm slip-on sleeves, slide onto the conductor before

---

## MICROFOX-SB - Diagonal cutter

1212489

<https://www.phoenixcontact.com/us/products/1212489>



Electronic diagonal cutter, round head, without chamfer, with opening spring, mirror-polished and oiled, 2-component grip, cutting capacity: soft 0.2 - 2.0 mm; medium hard 1.2 mm; hard 0.5 mm diameter

# Q 1,5/4A50/24-M20KU-ESA-BK - Panel feed-through



1585045

<https://www.phoenixcontact.com/us/products/1585045>

## QSS 19 - Socket wrench

1670895

<https://www.phoenixcontact.com/us/products/1670895>



Socket wrench, for tightening and unscrewing the QUICKON union nut, wrench size 19 mm

---

Phoenix Contact 2024 © - all rights reserved

<https://www.phoenixcontact.com>

Phoenix Contact USA  
586 Fulling Mill Road  
Middletown, PA 17057, United States  
(+717) 944-1300  
[info@phoenixcon.com](mailto:info@phoenixcon.com)