

HC-26P1N324300 - Device connector rear mounting



1590311

<https://www.phoenixcontact.com/us/products/1590311>

Please be informed that the data shown in this PDF document is generated from our online catalog. Please find the complete data in the user documentation. Our general terms of use for downloads are valid.



Device connector rear mounting, straight, Screw locking mechanism, M27, number of positions: 26, contact connection type: Pin, Radial O-ring, 4xM3, shielded: yes, degree of protection: IP67, number of positions: 26, connection method: Solder pins, series: HC

Commercial data

Item number	1590311
Packing unit	12 pc
Minimum order quantity	12 pc
Note	Made to order (non-returnable)
Sales key	AB31
Product key	ABRAJR
GTIN	4046356439596
Weight per piece (including packing)	50.4 g
Weight per piece (excluding packing)	50.4 g
Customs tariff number	85366990
Country of origin	DE

HC-26P1N324300 - Device connector rear mounting



1590311

<https://www.phoenixcontact.com/us/products/1590311>

Technical data

Mounting

Mounting	4x M3
----------	-------

Product properties

Product type	Circular connectors (device side)
Series	HC
Application	Signal
Number of positions	26
Connection profile	26
Shielded	yes
Coding	N
Thread type	M27

Dimensions

Dimensional drawing	
Length of the solder pin	4.5 mm
	4.5 mm

Material specifications

Flammability rating according to UL 94	V0
Seal material	FPM or NBR or EPDM
Housing material	Metal
Housing material	Turned parts: copper zinc alloy (CuZn), die-cast parts: zinc (GD-Zn)
Contact material	CuZn
Contact surface	Nickel-plated, gold coating

Electrical properties

Contact

Contact diameter	1 mm
Max. current	8 A
Nominal voltage U_N	48 V AC 74 V DC
Overvoltage category	III
Degree of pollution	3
Rated surge voltage	1.5 kV

Connection data

Conductor connection

HC-26P1N324300 - Device connector rear mounting



1590311

<https://www.phoenixcontact.com/us/products/1590311>

Connection method	Solder pins
Contact connection type	Pin

Mechanical properties

Mechanical data

Insertion/withdrawal cycles	50
-----------------------------	----

Connector

Type	straight
Direction of rotation	Standard

Environmental and real-life conditions

Ambient conditions

Degree of protection	IP67
Ambient temperature (operation)	-20 °C ... 125 °C
Altitude	2000 m

HC-26P1N324300 - Device connector rear mounting

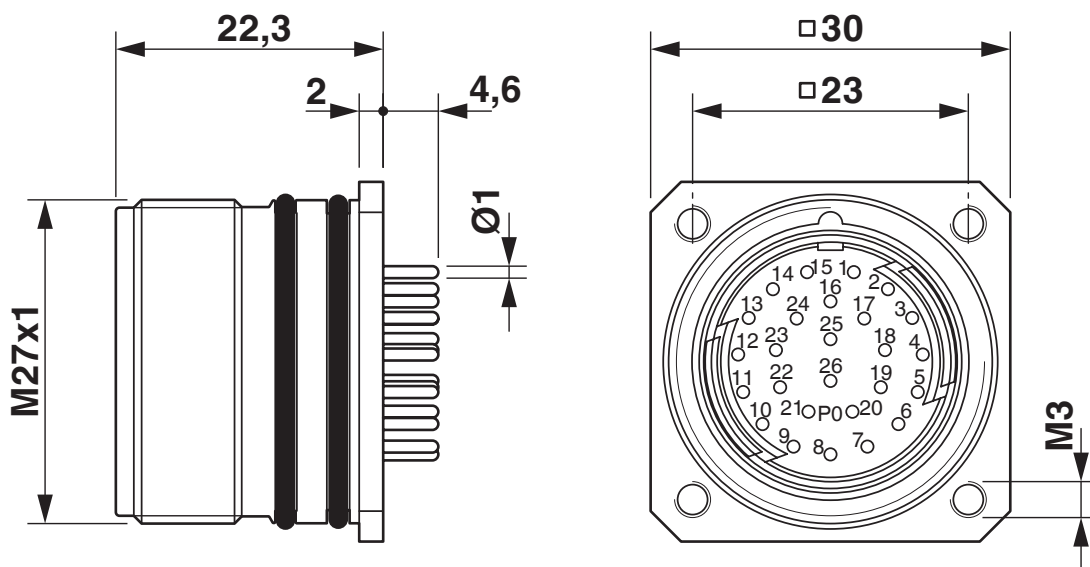


1590311

<https://www.phoenixcontact.com/us/products/1590311>

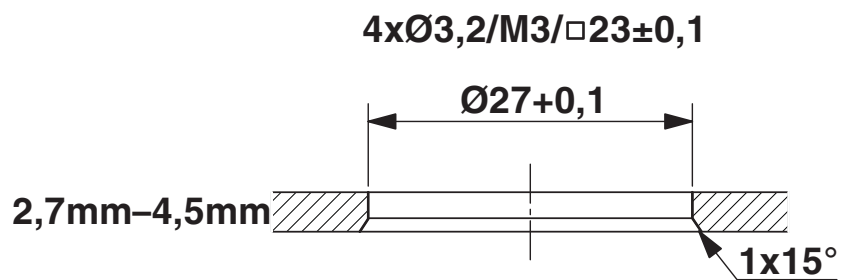
Drawings

Dimensional drawing



Dimensional drawing

Dimensional drawing

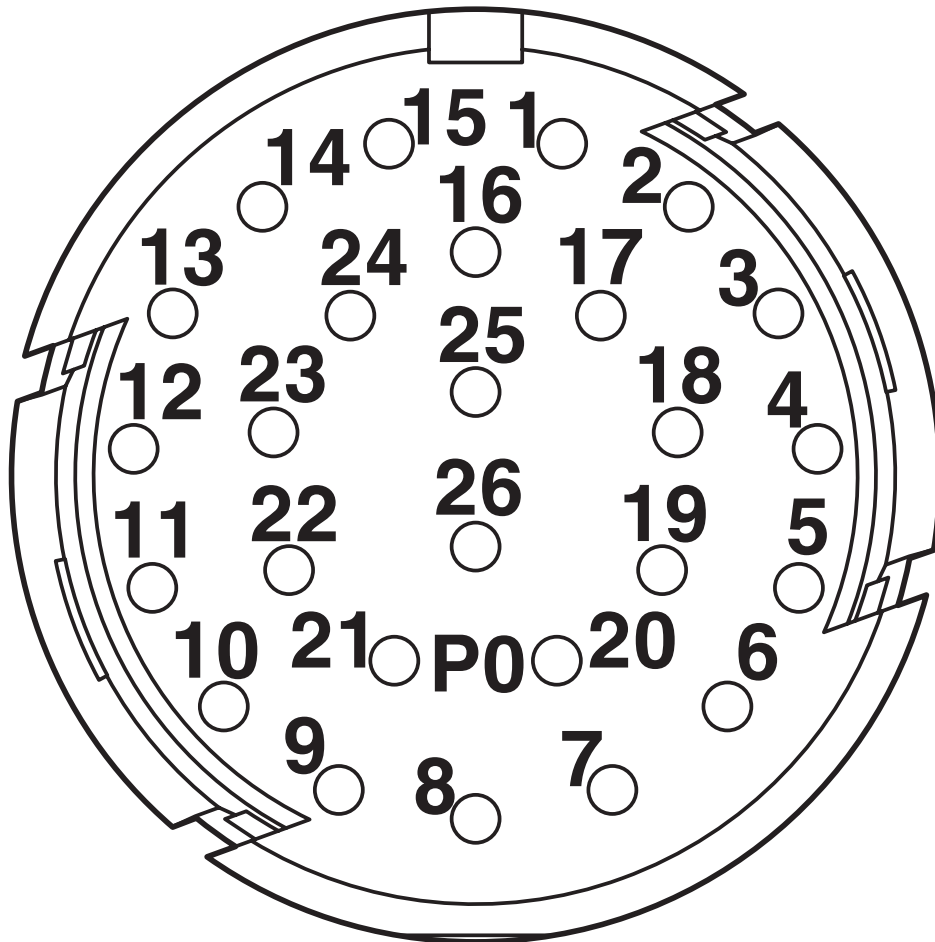


Installation dimensions

1590311

<https://www.phoenixcontact.com/us/products/1590311>

Schematic diagram



Connector pin assignment

HC-26P1N324300 - Device connector rear mounting



1590311

<https://www.phoenixcontact.com/us/products/1590311>

Classifications

ECLASS

ECLASS-11.0	27440109
ECLASS-12.0	27440109
ECLASS-13.0	27440109

ETIM

ETIM 8.0	EC003569
----------	----------

UNSPSC

UNSPSC 21.0	39121400
-------------	----------

1590311

<https://www.phoenixcontact.com/us/products/1590311>

Environmental product compliance

EU RoHS

Fulfills EU RoHS substance requirements	Yes
Exemption	6(c)

China RoHS

Environment friendly use period (EFUP)	EFUP-50
	An article-related China RoHS declaration table can be found in the download area for the respective article under "Manufacturer declaration". For all articles with EFUP-E, no China RoHS declaration table issued and required.

EU REACH SVHC

REACH candidate substance (CAS No.)	Lead(CAS: 7439-92-1)
SCIP	6eb21d1f-5e5e-42fd-9f30-84ddd2665421

Phoenix Contact 2024 © - all rights reserved

<https://www.phoenixcontact.com>

Phoenix Contact USA
586 Fulling Mill Road
Middletown, PA 17057, United States
(+717) 944-1300
info@phoenixcon.com