

RC-06S1N8A6R00 - Crimp contact



1594044

<https://www.phoenixcontact.com/us/products/1594044>

Please be informed that the data shown in this PDF document is generated from our online catalog. Please find the complete data in the user documentation. Our general terms of use for downloads are valid.



M23, Crimp contact, series: RC, straight, shielded: yes, Screw locking mechanism, No. of pos.: 6, Direction of rotation: Standard, contact connection type: Socket, Crimp connection, Axial seal, Central fixing, coding: N

Commercial data

Item number	1594044
Packing unit	1 pc
Note	Made to order (non-returnable)
Sales key	AB31
Product key	ABRAFL
GTIN	4046356199285
Weight per piece (including packing)	117.8 g
Weight per piece (excluding packing)	34.01 g
Customs tariff number	85366990
Country of origin	DE

RC-06S1N8A6R00 - Crimp contact



1594044

<https://www.phoenixcontact.com/us/products/1594044>

Technical data

Notes

General	Order crimp contacts Ø 2 mm separately
---------	--

Product properties

Product type	Circular connectors (device side)
--------------	-----------------------------------

Connector

Insulating body

Note	Order information: Order crimp contacts Ø 2 mm separately
Coding	N
Connection method	Crimp connection
Contact switching type	Socket
Application	Signal
Number of positions	6
Direction of rotation	Standard
Connection profile	6
Contact diameter	2 mm
Rated current	20 A
Rated voltage	48 V AC 74 V DC
Rated surge voltage	1.5 kV
Overvoltage category	III
Degree of pollution	3

Housing

Order information:	Order contact inserts separately
Housing material	Metal
Type of locking	Screw locking mechanism
Pg screw connection	none
Degree of protection (plugged in)	IP65/IP67
Thread type	M23

RC-06S1N8A6R00 - Crimp contact

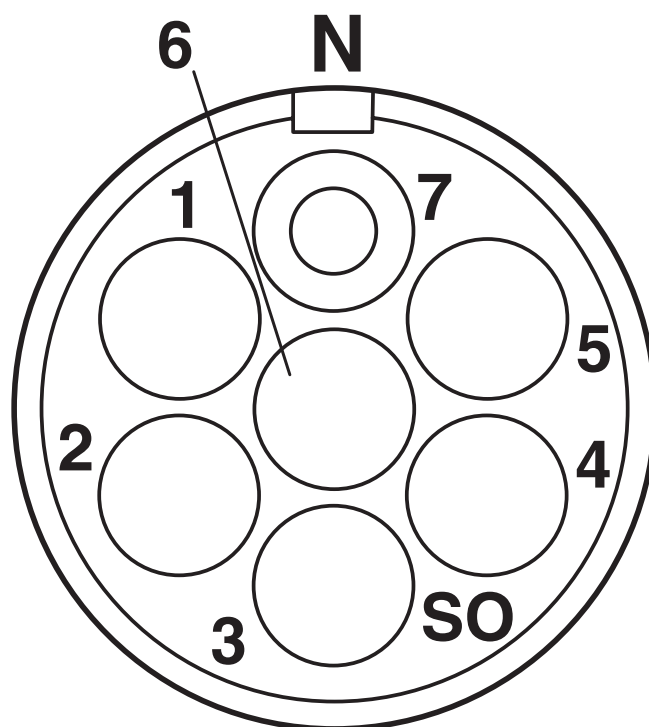
1594044

<https://www.phoenixcontact.com/us/products/1594044>



Drawings

Schematic diagram



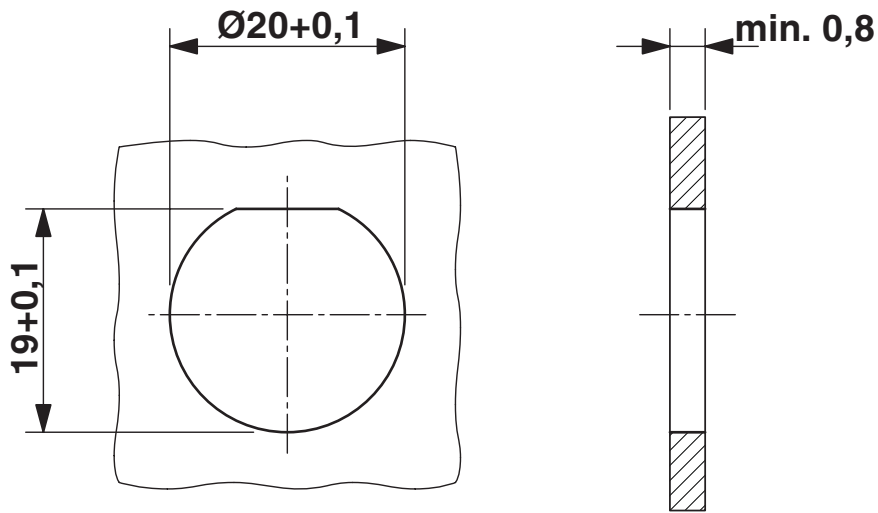
Connector pin assignment

RC-06S1N8A6R00 - Crimp contact

1594044

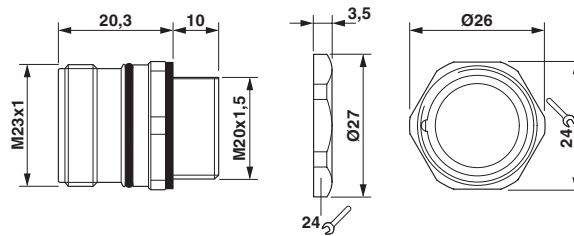
<https://www.phoenixcontact.com/us/products/1594044>

Dimensional drawing



Installation dimensions

Dimensional drawing



Dimensional drawing

RC-06S1N8A6R00 - Crimp contact



1594044

<https://www.phoenixcontact.com/us/products/1594044>

Classifications

ECLASS

ECLASS-11.0

27440102

ETIM

ETIM 8.0

EC002635

UNSPSC

UNSPSC 21.0

39121400

RC-06S1N8A6R00 - Crimp contact



1594044

<https://www.phoenixcontact.com/us/products/1594044>

Environmental product compliance

EU RoHS

Fulfills EU RoHS substance requirements	Yes
Exemption	6(c)

China RoHS

Environment friendly use period (EFUP)	EFUP-50
	An article-related China RoHS declaration table can be found in the download area for the respective article under "Manufacturer declaration". For all articles with EFUP-E, no China RoHS declaration table issued and required.

EU REACH SVHC

REACH candidate substance (CAS No.)	Lead(CAS: 7439-92-1)
-------------------------------------	----------------------

RC-06S1N8A6R00 - Crimp contact

1594044

<https://www.phoenixcontact.com/us/products/1594044>



Accessories

RC-5SS2000 - Crimp contact

1603530

<https://www.phoenixcontact.com/us/products/1603530>



Crimp contact, Socket, turned, contact diameter: 2 mm, crimp range: 0.5 mm² ... 0.75 mm², Alternative product in accordance with RoHS II without Exemption 6c (Pb < 0.1 %) item no.: 1241633

RC-59S2000 - Crimp contact

1603501

<https://www.phoenixcontact.com/us/products/1603501>



Crimp contact, Socket, turned, Single contact, contact diameter: 2 mm, crimp range: 0.75 mm² ... 1 mm², Alternative product in accordance with RoHS II without Exemption 6c (Pb < 0.1 %) item no.: 1241633

RC-06S1N8A6R00 - Crimp contact

1594044

<https://www.phoenixcontact.com/us/products/1594044>



RC-5CS2000 - Crimp contact

1603517

<https://www.phoenixcontact.com/us/products/1603517>



Crimp contact, Socket, turned, contact diameter: 2 mm, crimp range: 1 mm² ... 1.5 mm², Alternative product in accordance with RoHS II without Exemption 6c (Pb < 0.1 %) item no.: 1241635

RC-5AS2000 - Crimp contact

1603509

<https://www.phoenixcontact.com/us/products/1603509>



Crimp contact, Socket, turned, contact diameter: 2 mm, crimp range: 1.5 mm² ... 2.5 mm², Alternative product in accordance with RoHS II without Exemption 6c (Pb < 0.1 %) item no.: 1241635

Phoenix Contact 2024 © - all rights reserved
<https://www.phoenixcontact.com>

Phoenix Contact USA
586 Fulling Mill Road
Middletown, PA 17057, United States
(+717) 944-1300
info@phoenixcon.com