

RC-07P1N8AE000 - Device connector rear mounting



1594472

<https://www.phoenixcontact.com/us/products/1594472>

Please be informed that the data shown in this PDF document is generated from our online catalog. Please find the complete data in the user documentation. Our general terms of use for downloads are valid.



M23, Device connector rear mounting, series: RC, straight, shielded: yes, Screw locking mechanism, No. of pos.: 7, Direction of rotation: Standard, contact connection type: Pin, Crimp connection, Radial O-ring, 4xM3, Panel thickness min.: 3 mm, Panel thickness max.: 10.5 mm, coding: N, Alternative product in accordance with RoHS II without Exemption 6c (Pb < 0.1 %) item no.: 1240502

Commercial data

Item number	1594472
Packing unit	40 pc
Minimum order quantity	40 pc
Note	Made to order (non-returnable)
Sales key	AB31
Product key	ABRAFL
GTIN	4046356201582
Weight per piece (including packing)	38.935 g
Weight per piece (excluding packing)	38.935 g
Customs tariff number	85366990
Country of origin	DE

RC-07P1N8AE000 - Device connector rear mounting



1594472

<https://www.phoenixcontact.com/us/products/1594472>

Technical data

Notes

General	Order crimp contacts Ø 2 mm separately
---------	--

Product properties

Product type	Circular connectors (device side)
Thread type	M23

Material specifications

Flammability rating according to UL 94	V0
--	----

Connection data

Conductor connection

Connection method	Solder connection
-------------------	-------------------

Connector

Insulating body

Note	Order information: Order crimp contacts Ø 2 mm separately
Coding	N
Connection method	Crimp connection
Contact switching type	Pin
Application	Signal
Number of positions	7
Direction of rotation	Standard
Connection profile	7
Contact diameter Power contacts	2 mm
Rated current Power contacts	20 A
Rated voltage	48 V AC
	74 V DC
Rated surge voltage	1.5 kV
Overvoltage category	III
Degree of pollution	3

Housing

Housing material	Metal
Type of locking	Screw locking mechanism
Pg screw connection	none
Degree of protection (plugged in)	IP67
Thread type	M23

Environmental and real-life conditions

RC-07P1N8AE000 - Device connector rear mounting



1594472

<https://www.phoenixcontact.com/us/products/1594472>

Ambient conditions

Degree of protection	IP67
Ambient temperature (storage/transport)	15 °C ... 25 °C
Permissible humidity (storage/transport)	50 % ... 65 %

RC-07P1N8AE000 - Device connector rear mounting

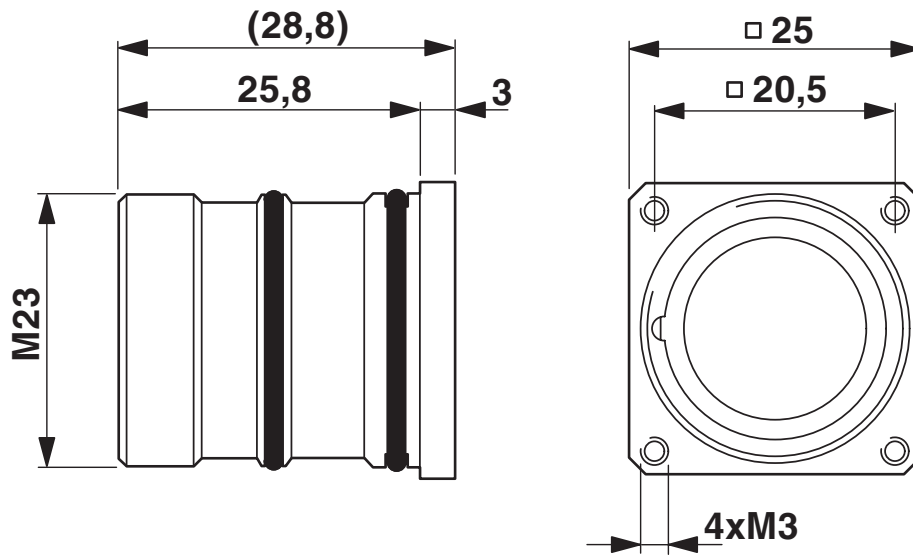


1594472

<https://www.phoenixcontact.com/us/products/1594472>

Drawings

Dimensional drawing



Dimensional drawing

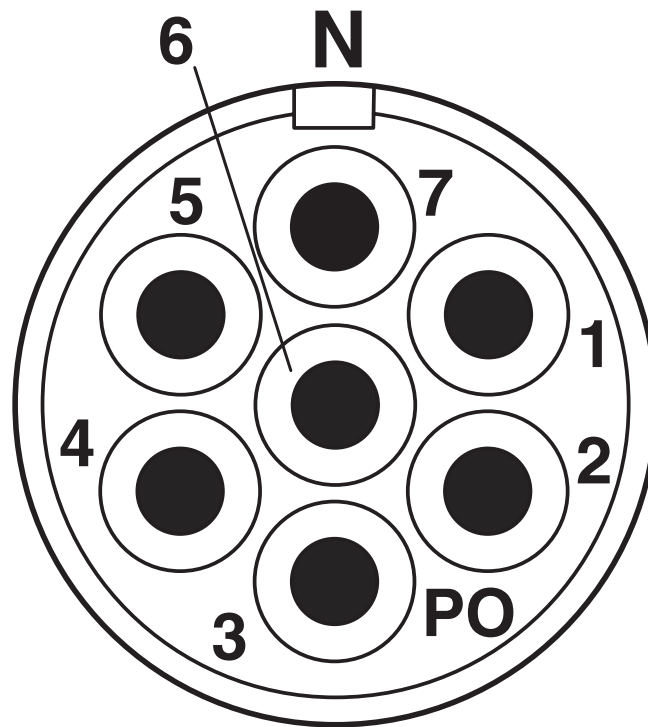
RC-07P1N8AE000 - Device connector rear mounting

1594472

<https://www.phoenixcontact.com/us/products/1594472>



Schematic diagram



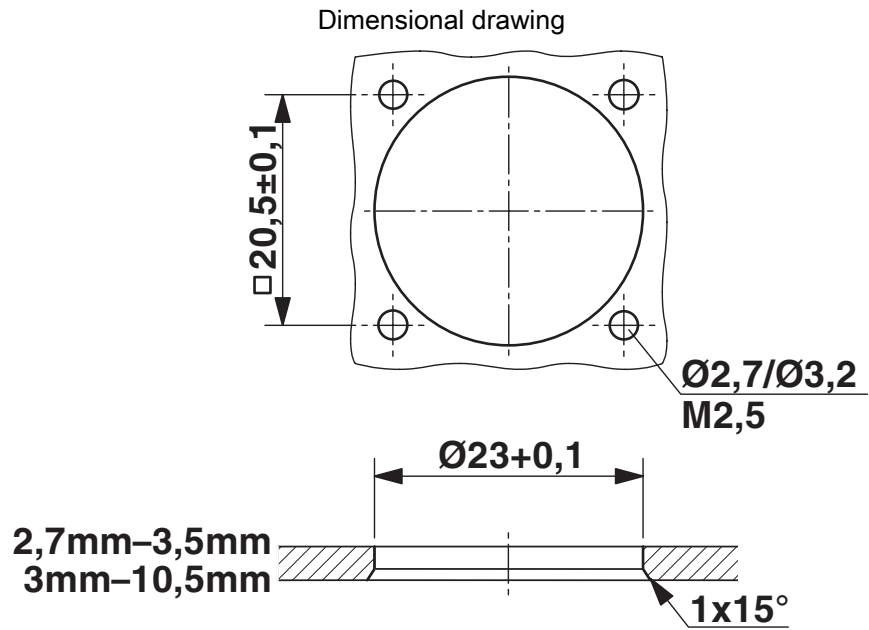
Connector pin assignment

RC-07P1N8AE000 - Device connector rear mounting



1594472

<https://www.phoenixcontact.com/us/products/1594472>



Installation dimensions

RC-07P1N8AE000 - Device connector rear mounting



1594472

<https://www.phoenixcontact.com/us/products/1594472>

Classifications

ECLASS

ECLASS-11.0	27440109
ECLASS-12.0	27440109
ECLASS-13.0	27440109

ETIM

ETIM 8.0	EC003569
----------	----------

UNSPSC

UNSPSC 21.0	39121400
-------------	----------

RC-07P1N8AE000 - Device connector rear mounting



1594472

<https://www.phoenixcontact.com/us/products/1594472>

Environmental product compliance

EU RoHS

Fulfills EU RoHS substance requirements	Yes
Exemption	6(c)

China RoHS

Environment friendly use period (EFUP)	EFUP-50
	An article-related China RoHS declaration table can be found in the download area for the respective article under "Manufacturer declaration". For all articles with EFUP-E, no China RoHS declaration table issued and required.

EU REACH SVHC

REACH candidate substance (CAS No.)	Lead(CAS: 7439-92-1)
SCIP	9a405ea3-ea1a-425b-b800-98ae2f5c1b3c

RC-07P1N8AE000 - Device connector rear mounting



1594472

<https://www.phoenixcontact.com/us/products/1594472>

Accessories

PROT-M23PRO-OT-IP20 - Plastic protective cap

1055753

<https://www.phoenixcontact.com/us/products/1055753>

Plastic protective cap, M23, degree of protection: IP20, series: M23 PRO



RC-5SP2000 - Crimp contact

1603529

<https://www.phoenixcontact.com/us/products/1603529>

Crimp contact, Pin, turned, contact diameter: 2 mm, crimp range: 0.5 mm² ... 0.75 mm², Alternative product in accordance with RoHS II without Exemption 6c (Pb < 0.1 %) item no.: 1241632



RC-07P1N8AE000 - Device connector rear mounting



1594472

<https://www.phoenixcontact.com/us/products/1594472>

RC-59P2000 - Crimp contact

1603498

<https://www.phoenixcontact.com/us/products/1603498>



Crimp contact, Pin, turned, Single contact, contact diameter: 2 mm, crimp range: 0.75 mm² ... 1 mm², Alternative product in accordance with RoHS II without Exemption 6c (Pb < 0.1 %) item no.: 1241632

RC-5CP2000 - Crimp contact

1603513

<https://www.phoenixcontact.com/us/products/1603513>



Crimp contact, Pin, turned, contact diameter: 2 mm, crimp range: 1 mm² ... 1.5 mm², Alternative product in accordance with RoHS II without Exemption 6c (Pb < 0.1 %) item no.: 1241634

RC-07P1N8AE000 - Device connector rear mounting



1594472

<https://www.phoenixcontact.com/us/products/1594472>

RC-5AP2000 - Crimp contact

1603505

<https://www.phoenixcontact.com/us/products/1603505>



Crimp contact, Pin, turned, contact diameter: 2 mm, crimp range: 1.5 mm² ... 2.5 mm², Alternative product in accordance with RoHS II without Exemption 6c (Pb < 0.1 %) item no.: 1241634

Phoenix Contact 2024 © - all rights reserved

<https://www.phoenixcontact.com>

Phoenix Contact USA
586 Fulling Mill Road
Middletown, PA 17057, United States
(+717) 944-1300
info@phoenixcon.com