

# RC-09P1NA20000 - Contact insert



1595507

<https://www.phoenixcontact.com/us/products/1595507>

Please be informed that the data shown in this PDF document is generated from our online catalog. Please find the complete data in the user documentation. Our general terms of use for downloads are valid.



Contact insert, M23, number of positions: 8+1, contact connection type: Pin, Solder-in connection, series: RC, TU, Alternative product in accordance with RoHS II without Exemption 6c (Pb < 0.1 %) item no.: 1240622

## Commercial data

Item number	1595507
Packing unit	10 pc
Minimum order quantity	10 pc
Note	Made to order (non-returnable)
Sales key	AB31
Product key	ABRAFU
GTIN	4046356207171
Weight per piece (including packing)	12.82 g
Weight per piece (excluding packing)	10.09 g
Customs tariff number	85366990
Country of origin	DE

# RC-09P1NA20000 - Contact insert



1595507

<https://www.phoenixcontact.com/us/products/1595507>

## Technical data

### Product properties

Product type	Contact insert
Series	RC TU
Application	Signal
Number of positions	9
Connection profile	8+1
Coding	N
Thread type	M23

### Electrical properties

#### Contact

Contact diameter	2 mm
Max. current	20 A
Nominal voltage $U_N$	48 V AC 74 V DC
Overvoltage category	III
Degree of pollution	3
Rated surge voltage	1.5 kV

#### Contact

Contact diameter	1 mm
Max. current	8 A

### Connection data

Connection method	Solder-in connection
-------------------	----------------------

### Material specifications

Insulator material	PBT
Contact material	CuZn
Contact surface	Nickel-plated, gold coating

### Connector

Direction of rotation	Standard
-----------------------	----------

### Mechanical properties

#### Mechanical data

Insertion/withdrawal cycles	50
-----------------------------	----

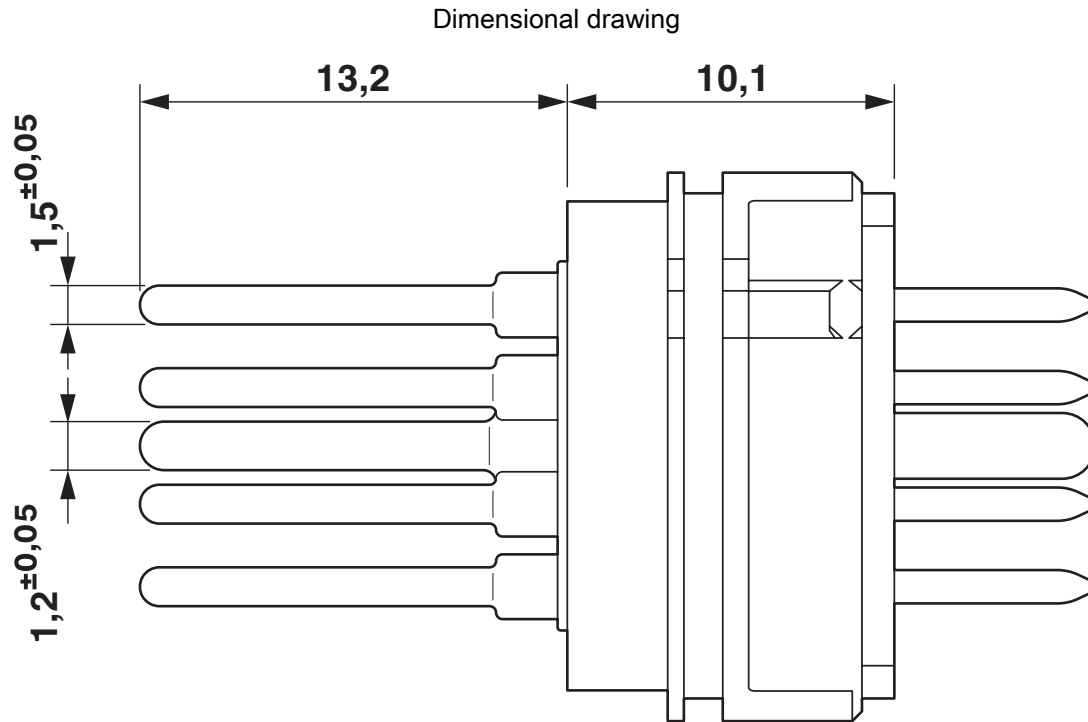
# RC-09P1NA20000 - Contact insert



1595507

<https://www.phoenixcontact.com/us/products/1595507>

## Drawings



Dimensional drawing

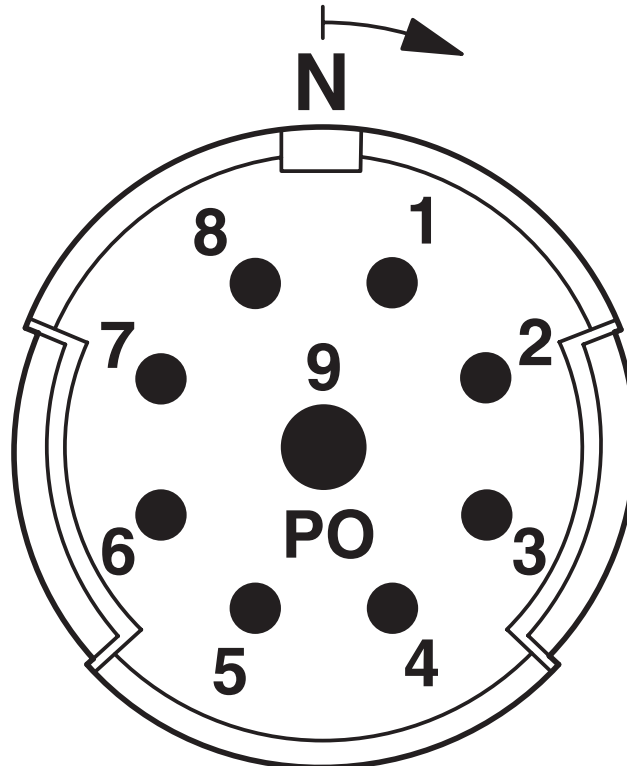
# RC-09P1NA20000 - Contact insert



1595507

<https://www.phoenixcontact.com/us/products/1595507>

Schematic diagram



Connector pin assignment

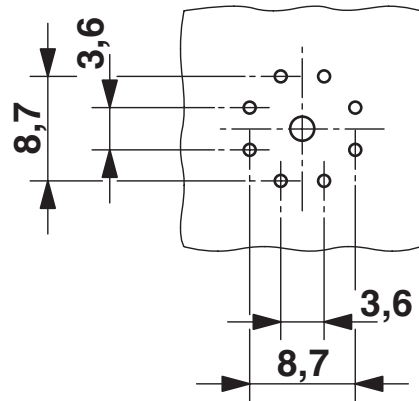
# RC-09P1NA20000 - Contact insert



1595507

<https://www.phoenixcontact.com/us/products/1595507>

Drilling plan/solder pad geometry



# RC-09P1NA20000 - Contact insert



1595507

<https://www.phoenixcontact.com/us/products/1595507>

## Classifications

### ECLASS

ECLASS-11.0	27440223
ECLASS-12.0	27440223
ECLASS-13.0	27440223

### ETIM

ETIM 8.0	EC003557
----------	----------

### UNSPSC

UNSPSC 21.0	39121400
-------------	----------

# RC-09P1NA20000 - Contact insert



1595507

<https://www.phoenixcontact.com/us/products/1595507>

## Environmental product compliance

### EU RoHS

Fulfills EU RoHS substance requirements	Yes
Exemption	6(c)

### China RoHS

Environment friendly use period (EFUP)	EFUP-50
	An article-related China RoHS declaration table can be found in the download area for the respective article under "Manufacturer declaration". For all articles with EFUP-E, no China RoHS declaration table issued and required.

### EU REACH SVHC

REACH candidate substance (CAS No.)	Lead(CAS: 7439-92-1)
SCIP	940fb3d7-bb5e-4123-aebf-8ca52d502d16

Phoenix Contact 2024 © - all rights reserved

<https://www.phoenixcontact.com>

Phoenix Contact USA  
586 Fulling Mill Road  
Middletown, PA 17057, United States  
(+717) 944-1300  
[info@phoenixcon.com](mailto:info@phoenixcon.com)